



Synertek
Systems Corporation

**SYM
REFERENCE
MANUAL**

SYM REFERENCE MANUAL

Copyright © by Synertek Systems Corporation

All rights reserved. No part of this publication may be reproduced, stored in a retrieval system, or transmitted in any form or by any means, electronic, mechanical, photocopying, recording or otherwise, without the prior written consent of Synertek Systems Corporation.

SSC Pub MAN-A-260006-B

First Printing: May, 1978

Second Printing: August, 1978



Synertek Systems Corporation

P.O. BOX 552 SANTA CLARA, CALIFORNIA 95052 TEL. (408) 988-5600 TWX: 910-338-0135

SYM-1 REFERENCE MANUAL

TABLE OF CONTENTS

		<u>PAGE</u>
Chapter 1	Introduction to the SYM Computer	1-1
Chapter 2	How to Use the SYM Reference Manual	2-1
Chapter 3	Preparing to Use Your SYM Computer	3-1
	3.1 Parts Check	3-1
	3.2 Caution on MOS Parts	3-1
	3.3 Visual Check	3-1
	3.4 Recommended Power Supplies	3-3
	3.5 Power Supply Connection	3-3
	3.6 Power-On Check	3-3
	3.7 Keyboard Exercise	3-3
	3.8 Attaching an Audio Cassette Recorder	3-6
	3.9 Save and Load Exercise	3-9
	3.10 Attaching a TTY	3-10
	3.11 Terminal Exercise	3-11
	3.12 Attaching a CRT	3-12
	3.13 CRT Exercise	3-11
Chapter 4	SYM-1 System Overview	4-1
	4.1 Hardware Description	4-1
	4.1.1 6502 CPU Description	4-1
	4.1.1.1 Bus Structure	4-1
	4.1.1.2 Summary	4-3
	4.1.2 6522 Description	4-3
	4.1.2.1 Processor Interface	4-4
	4.1.2.2 Peripheral Interface	4-4
	4.1.3 6532 Description	4-5
	4.1.4 Functional Schematics	4-5
	4.2 Memory Allocation	4-17
	4.2.1 Standard Memory Allocation	4-17
	4.2.2 Address Decoding Jumper Options	4-26
	4.2.3 Off-Board Expandability	4-26
	4.2.4 I/O Buffers	4-26
	4.3 Software Description	4-32
	4.3.1 Monitor Description - General	4-32
	4.3.2 Software Interfacing	4-33
	4.3.3 6502 Microprocessor Assembly Language Syntax	4-33
	4.3.4 SY6502 Instruction Set	4-34
Chapter 5	Operating the SYM	5-1
	5.1 Keyboard Layout	5-1
	5.2 SYM Command Syntax	5-1
	5.3 SYM Monitor Commands	5-8
	5.3.1 M (Display and/or Modify Memory)	5-8
	5.3.2 R (Display and/or Modify User Registers)	5-11
	5.3.3 G (Go)	5-12
	5.3.4 V (Verify).	5-13

TABLE OF CONTENTS (CONTINUED)

		<u>PAGE</u>
5.3.5	D (Deposit)	5-14
5.3.6	C (Calculate)	5-15
5.3.7	B (Block Move in Memory)	5-16
5.3.8	J (Jump)	5-17
5.3.9	SD (Store Double Byte)	5-17
5.3.10	F (Fill)	5-18
5.3.11	W (Write Protect)	5-19
5.3.12	E (Execute)	5-20
5.4	Cassette and Paper Tape Commands	5-21
5.4.1	S1,S2 (Save Cassette Tape)	5-21
5.4.2	L2 (Load High-Speed Format Record from Tape)	5-22
5.4.3	L1 (Load KIM* Format Record from Tape)	5-23
5.4.4	SP (Save Paper Tape)	5-23
5.4.5	LP (Load Paper Tape)	5-24
5.5	User-Defined Functions	5-24
5.6	Error Codes	5-24
Chapter 6	Programming the SYM-1	6-1
6.1	Hardware	6-1
6.2	Double-Precision Addition	6-1
6.2.1	Defining Program Flow	6-1
6.2.2	Coding and "Hand Assembly"	6-4
6.2.3	Entering and Executing the Program	6-4
6.2.4	Debugging Methods	6-7
6.3	Conditional Testing	6-8
6.4	Multiplication	6-11
Chapter 7	Oscilloscope Output Feature	7-1
7.1	Introduction	7-1
7.2	Operation of Oscilloscope Output	7-1
7.2.1	Connection Procedures	7-1
7.2.2	Circuit Operation	7-1
7.3	Using Our Sample Software	7-2
Chapter 8	System Expansion	8-1
8.1	Memory Expansion	8-1
8.2	Peripheral Expansion	8-4
Chapter 9	Advanced Monitor and Programming Techniques	9-1
9.1	Monitor Flow	9-1
9.2	Monitor Calls	9-1
9.3	Monitor Calls, Entries and Tables	9-1
9.4	Vectors and Interrupts	9-1
9.5	Debug ON and Trace	9-10
9.6	User Trace Routines	9-12
9.7	Mixed I/O Configuration	9-14
9.8	User Monitor Extensions	9-16
9.8.1	Monitor Extension Example	9-16
9.8.2	SUPERMON as Extension to User Routines	9-16
9.9	Use of SAVER and REStore Routines.	9-17

TABLE OF CONTENTS (CONTINUED)

		<u>PAGE</u>
Appendices		
A	Immediate Action	A-1
B	Parts List, Component Layout, and Outline Drawing	B-1
C	Audio Tape Formats	C-1
D	Paper Tape Formats	D-1
E	SYM Compatability With KIM*	E-1
F	Creating and Using a Sync Tape.	F-1
G	Monitor Addenda	G-1
H	Supplementary Information	H-1
I	SY6502 Data Sheet	I-1
J	SY6522 Data Sheet	J-1
K	SY6532 Data Sheet	K-1
L	SY2114 Data Sheet	L-1
	COMPLETE SUPERMON MONITOR LISTING	Follows Appendices

* KIM is a product of MOS Technology, Inc.

CHAPTER 1

INTRODUCTION TO THE SYM COMPUTER

Whether you're a teacher or a student of computer science, a systems engineer or a hobbyist, you now own one of the most versatile and sophisticated single-board computers available today. The Synertek Systems SYM-1 is an ideal introduction to the expanding world of microprocessor technology as well as a powerful development tool for design of microcomputer-based systems. Fully assembled and thoroughly tested, the SYM-1 comes equipped with a 28-key dual-function keyboard for input and a 6-digit light emitting diode (LED) display for output. All that's needed to make your computer operational is a single 5-volt power supply.

Based on the popular and reliable 6502 Central Processing Unit (CPU), the SYM-1 is designed to permit flexible solutions to a wide range of application problems. A system monitor (SUPERMON) is stored in 4K bytes of Read Only Memory (ROM) furnished with the SYM-1 so you're free to concentrate on the application itself. But should you require customized system software, sockets are provided on the board for three additional ROM or Erasable PROM (EPROM) packages that can expand total ROM to 24K bytes. And by changing connections on the jumpers that have been designed for this purpose, the SYM-1 can be set up to respond to your own system software as soon as the power is turned on.

For working with data and programs, SYM-1 comes equipped with 1K of Random Access Memory (RAM), and sockets are available on the board for plug-in expansion up to 4K. Should additional memory be required for your application, an expansion port is provided which will allow additional ROM, PROM, RAM or I/O to be attached to the system up to the 65,536 maximum addressable limit for an 8-bit microprocessor.

While the keyboard and LED display included on the SYM-1 board will be sufficient for most users, other users may require the additional storage capability of audio cassette tape or the hard copy output of an RS-232 or a teletype terminal. Not only the serial interface, but also the hardware and software necessary for control of these devices is included on the SYM-1. Adding them to your system is simply a matter of properly wiring the appropriate connectors. Similarly, SYM-1 allows an oscilloscope to be added to the system to provide a unique 32-character display under software control. (Or, with the addition of the SYM-2 KB/TV interface and a common and inexpensive Radio Frequency (RF) adapter, you can turn your television set into a video display terminal.)

And that's not all. A total of 51 active Input-Output (I/O) lines (expandable to 71 with the addition of a plug-in component) permit an almost endless variety of other peripheral devices to interface to the SYM-1, from floppy disk drives to full-ASCII keyboards and other computer systems.

Other key hardware and software features of SYM-1 include jumper-selectable and program-controlled write protection for selected areas of memory, four internal timers (expandable to six), four on-board buffers for direct control of high voltage or high current interfaces, and a debug facility that may be controlled either by a manual switch or by software. We could go on, but rather than merely list what the SYM-1 is capable of doing, let's move on to the rest of the manual and learn how to put it to work.

CHAPTER 2

HOW TO USE THE SYM REFERENCE MANUAL

This manual is designed both to help you get your SYM-1 running and to teach you to use it as fully as possible. Reading over the following chapter descriptions will give you an idea of how to proceed and where to look for help when you run into a problem. Although to get the most out of this manual you should read it thoroughly before attempting to operate your SYM-1, only Chapter 3 is essential before applying power and attempting simple operations.

You should read Chapter 3 before you even unpack your SYM-1. Following the handling instructions in that chapter will help insure that you do not inadvertently damage the microcomputer components. Chapter 3 also contains instructions for connecting the power supply, and a simple keyboard exercise to acquaint you with the SYM-1 and verify that the system is working properly. In addition, directions are provided for attaching an audio cassette recorder, teletype or any RS-232 compatible terminal to the system.

Chapter 4 provides you an overview of the hardware and software features of the SYM-1. The major Integrated Circuit (IC) devices are described, and the configuration of the various edge connectors is explained. Memory assignment is also discussed, as are the various hardware jumper options on SYM-1. A complete list of machine language and assembly language commands for the 6502 CPU is included in this chapter.

Chapter 5 provides complete operating instructions for the SYM-1. The color-coded keyboard layout is explained, the keys and their functions are defined, and you're shown how to form SYM monitor commands. Instructions for operating an audio cassette recorder, teletype terminal with paper tape unit, and RS-232 terminal are included with the appropriate monitor command descriptions. In addition, the features of the SYM-1 monitor are explained in detail.

Chapter 6 is where you'll learn to program the SYM-1 to handle your applications. We'll describe the program flow and assembly code for a small sample program and explain how to prepare it for entry to the SYM-1. Then we'll discuss how to execute it and how to find problems in it if it doesn't work the way you expected it to work. After you've completed this example program, you'll have a chance to try your hand at two more programs of increasing complexity.

Chapter 7 describes how to use an oscilloscope with your SYM-1 module to obtain a unique, 32-character display similar to that of a CRT. The hardware is present on your SYM-1 to allow this usage, and the software has been designed to allow you to write your own program to send characters to the oscilloscope. A sample program implementing this feature is discussed in the chapter.

Chapter 8 explains how to expand your SYM-1 system to include additional memory or peripheral devices. I/O techniques are also discussed, including how to configure an auxiliary expansion port.

Chapter 9 consists of a system flow chart and a discussion of advanced monitor and programming techniques which will add flexibility and expandability to your SYM system. One of the unique things about the SYM-1 is its seemingly endless flexibility in software.

For example, you can create a sub-set of new monitor commands or an entirely new monitor by taking advantage of the way the system handles unrecognized commands. You can also make use of nearly all of the monitor as subroutines in your own programs, thus saving both programming time and memory space.

In addition to the chapters described above, several appendices located at the back of the manual include important service and other reference information. Appendix A explains what to do if your SYM-1 does not operate properly, becomes defective or requires service. Appendix B contains a complete parts list and a component layout diagram. Audio cassette tape formats are described in Appendix C, and the format for data stored on punched paper tape is outlined in Appendix D.

You will find that your SYM-1 will interface many devices designed to accompany the KIM computer. This compatibility with KIM-related products is described in Appendix E. Appendix F explains how to create and use a sync tape for audio cassette operation. Appendices G and H contain Monitor Addenda and supplementary information relating to use of the SYM-1. Finally, Appendices I, J, K and L provide reference information on the SY6502, SY6522, SY6532 and SY2114 RAM IC devices.

The last item in the manual, which is not an appendix but an addendum, is a complete listing of the SYM-1 SUPERMON monitor program. Nothing is held back; you have the complete listing to allow you to use it any way you wish. Once you understand how the monitor works and the essentials of 6502 assembly language programming, this listing becomes an invaluable tool for implementing your own applications.

CHAPTER 3

PREPARING TO USE YOUR SYM COMPUTER

This chapter will take you, step-by-step, through the process of unpacking the SYM-1 and making it operational. After applying power and checking to see that the keyboard and display function properly, you will learn how to attach an audio cassette recorder, TTY, or CRT to the system.

3.1 PARTS CHECK

In addition to this manual, several other items are included with your microcomputer. Packed along with the SYM-1 microcomputer itself you should find a programming card containing a summary of 6502 instruction codes and SYM commands, a programming manual, a warranty card, which you should fill out and mail to Synertek Systems as soon as possible, an optional user club card and two edge connectors, one long and one short. Also included is a red plastic strip which serves as a faceplate over the lighted display. The terms of the warranty are explained on the warranty card. Also included with the computer is a packet of small rubber feet on which to mount your SYM-1 for table-top operation.

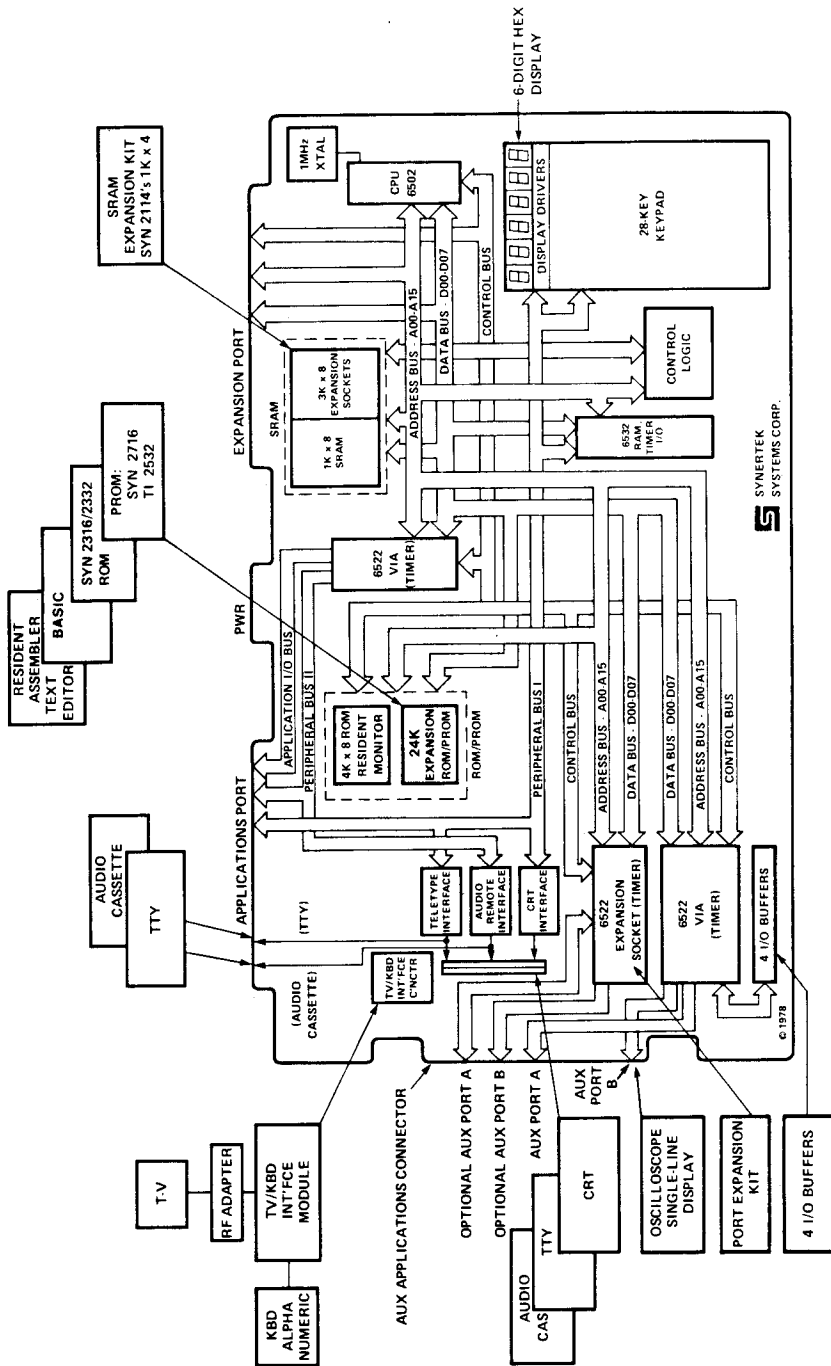
3.2 CAUTION ON MOS PARTS

The integrated circuits on your SYM-1 are implemented with Metal Oxide Silicon (MOS) technology and may be damaged or destroyed if accidentally exposed to high voltage levels. By observing a few simple precautions you can avoid a costly and disappointing mishap.

Static electricity is perhaps the least obvious, and thus most dangerous, source of voltage potential that can damage computer components. The SYM-1 is wrapped in special conductive material to protect it in shipping, and you should be careful to discharge any possible build-up of static electricity on your body before unpacking or handling the circuit board. Walking on a carpeted floor is especially liable to produce static electricity. Always touch a ground connection such as a metal window frame or an appliance with a three-pronged plug before handling your SYM-1, and avoid touching the pin connections on the back of the circuit board. Ungrounded or poorly grounded test equipment and soldering irons are other sources of potentially dangerous voltage levels. Make sure that all test equipment and soldering irons are properly grounded.

3.3 VISUAL CHECK

While observing the precautions described in section 3.2, take the SYM-1 from its box and remove the protective packing. Next, apply the small rubber mounting feet and place the SYM-1 on a flat surface with the keyboard facing you. Using Figure 3-1 you can identify the major system components and begin to familiarize yourself with the layout of the SYM-1 board. Chapter 4 describes the system in more detail, with appropriate schematics, but for now we're just concerned with powering-up and beginning operation.



SYNERTEK
SYSTEMS CORP.

3-1. FUNCTIONAL BLOCK DIAGRAM

3.4 RECOMMENDED POWER SUPPLIES

The SYM-1 microcomputer requires only the addition of a power supply to become fully operational. Any unit that supplies +5 Volts DC @ 1.5 amps and has adequate overload protection is acceptable. Synertek Systems does not recommend any particular make or model. Rather than buy an assembled power supply, you may want to build your own from one of the many kits available from hobby stores and mail order houses.

3.5 POWER SUPPLY CONNECTION

Now that you've obtained a 5-volt power supply, you're almost ready to power-up the SYM-1. Find the power supply edge connector (the smaller of the two edge connectors packed along with the microcomputer), and wire it as shown in Figure 3-2. Next, slide the connector onto the power connector pins located in the middle of the top edge of the board. Check to make sure that the wiring is correct and that the connector is properly oriented before attaching it to the board.

3.6 POWER-ON CHECK

Turn on the power supply. The red light to the left of the power connection should glow to indicate that power is reaching the board. The LED display above the keyboard should be completely blank, and a tone should be heard. Press the Carriage Return (CR) key. You should again hear the audible tone that is emitted when power is turned on or a key depression is sensed, and the display should show "SY1.0 . .". Carriage Return (CR) is the key that "logs you on" to the computer when first powering up or after pressing Reset (RST). If your computer isn't responding properly, turn off the power supply. Remove the power connector from the board and make sure that all wires are connected to the proper locations and are securely attached, then repeat the power-up procedure.

If after you recheck and repeat the power-up procedure, your SYM-1 does not respond as described above, refer to Appendix A for information on returning the unit for service.

3.7 KEYBOARD EXERCISE

Now that your SYM-1 is operational, let's try a small program to verify that the system is functioning properly. The program will add together two 8-bit binary numbers and store the result. As you enter the program, addresses and data will appear on the LED display as hexadecimal digits. Addresses are 16 bits long and thus will be represented by four hexadecimal digits, while data bytes are 8 bits long and will appear as two hex digits. Before entering the program, you may want to review the following listing of assembler code for the test program. The process of converting assembler code to machine language will be explained in Chapter 6.

		MONITR	=	\$8000
		VALUE1	=	\$0200
		VALUE2	=	\$0201
		RESULT	=	\$0202
		*	=	\$0203
		START		CLC
				CLD
0203	18			LDA VALUE1
0204	D8			ADC VALUE2
0205	AD 00 02			STA RESULT
0208	6D 01 02			JMP MONITR
020B	8D 02 02			END
020E	4C 00 80			

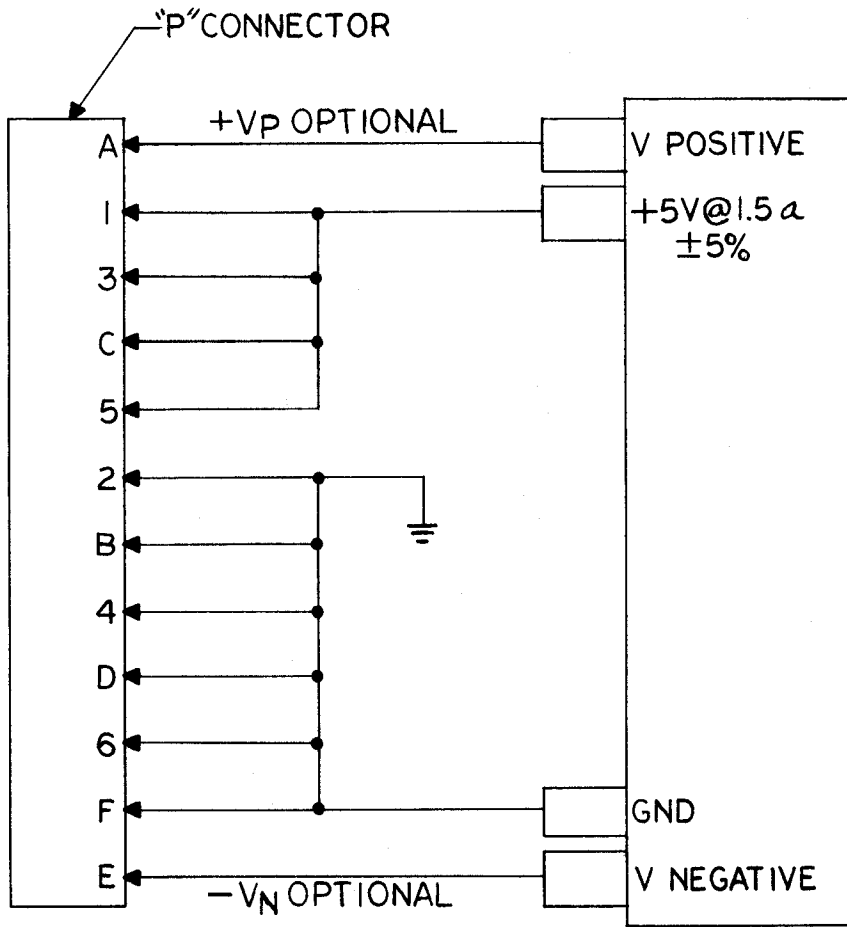


Figure 3-2. POWER SUPPLY CONNECTIONS

Now enter the program by following the steps listed below. Asterisks indicate the displayed data contained in the identified locations. Simulated key tops stand for function keys (e.g., (CR) for carriage return) The period displayed at the end of each entry sequence is SUPERMON's standard prompt character. As each data byte is entered, the address will automatically increment.

<u>YOU KEY IN</u>	<u>DISPLAY SHOWS</u>	<u>EXPLANATION</u>
(RESET)		
(CR)	SY1.0..	Keyboard log-on
(MEM) 200 (CR)	0200.**.	Display contents of location 0200.
C1	0201.**.	Store C1 (Hex) in 0200, display next location.
05	0202.**.	Store 05 (Hex) in 0201, display contents of 0202.
00	0203.**.	Store 00 (Hex) in 0202, display 0203
Enter Program:		
18	0204.**.	Store 18 (Hex) in 0203, display 0204
D8	0205.**.	Store D8 (Hex) in 0204, display 0205
AD	0206.**.	.
00	0207.**.	.
02	0208.**.	.
6D	0209.**.	.
01	020A.**.	
02	020B.**.	
8D	020C.**.	
02	020D.**.	
02	020E.**.	
4C	020F.**.	
00	0210.**.	
80	0211.**.	
(CR)	211.**..	
Check to see that program is entered correctly:		
(MEM) 200 (CR)	0200.C1.	VALUE1
(→)	0201.05.	VALUE2
(→)	0202.00.	RESULT
(→)	0203.18.	Clear carry flag
(→)	0204.D8.	Set status register for binary add
(→)	0205.AD.	Load VALUE1 into accumulator
(→)	0206.00.	Address of VALUE1, low order byte
(→)	0207.02.	Address of VALUE1, high order byte
(→)	0208.6D.	Add VALUE2 to accumulator
(→)	0209.01.	Address of VALUE2, low order byte
(→)	020A.02.	Address of VALUE2, high order byte
(→)	020B.8D.	Store accumulator
(→)	020C.02.	Address of RESULT, low order byte
(→)	020D.02.	Address of RESULT, high order byte
(→)	020E.4C.	JUMP to monitor
(→)	020F.00.	Address of monitor, low order byte
(→)	0210.80.	Address of monitor, high order byte
(CR)	210.80..	Exit from memory display and modify mode

Your program is now entered and ready to execute. The two numbers you will add together, C1 (Hex) and 05 (Hex), are stored in locations 0200 and 0201 respectively. The result will be stored in location 0202. The two digit hex codes you entered in

succeeding memory locations are the addresses, operands, and 6502 instruction codes necessary to add together two 8-bit binary numbers and return to the monitor program. To execute the program and display the result, perform the following steps:

<u>YOU KEY IN</u>	<u>DISPLAY SHOWS</u>	<u>EXPLANATION</u>
(GO) 203 (CR)	g 203 .	Execute program starting at location 0203
(MEM) 202 (CR)	0202.C6	Check result stored in location 0202
(CR)	202.C6. .	Exit from memory display and modify mode

Although this is a simple problem, it demonstrates the basic procedures for entering and executing a program on the SYM-1 as well as verifying that the system is operating properly.

3.8 ATTACHING AN AUDIO CASSETTE RECORDER

The program you entered in section 3.7 will remain stored in RAM memory only as long as the power remains on. As soon as the power is turned off, RAM data is lost, so to reuse the program you would have to enter it again from the keyboard. In order to provide you with a way to permanently store data and programs, SYM-1 is equipped with the hardware and software logic necessary to "talk to" an audio cassette recorder.

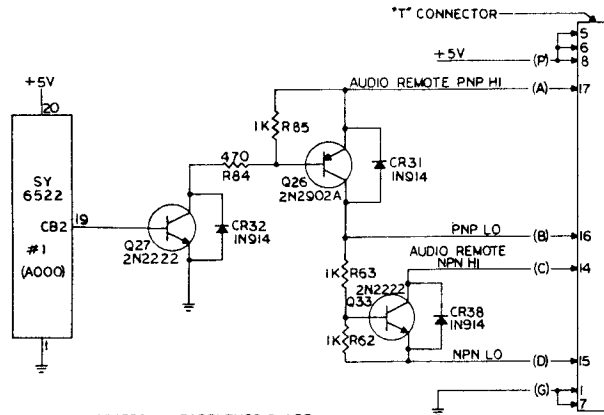
Since SYM-1 audio cassette operation involves high data transfer rates (185 bytes per second for HIGH-SPEED format), you should use a good quality recorder to ensure reliable performance. The unit should be equipped with an earphone jack for output, a microphone for input, a remote jack for remote control of the motor (optional), and standard controls for Play, Record, Rewind, and Stop. An additional feature that is useful but not essential is a tape counter. By keeping a record of counter values you can locate any program of data block manually without having to search the tape under program control at Play speed.

SYM-1 is designed to allow the cassette unit to be attached to either the Applications (A) or the Terminal (T) connector (requires a DB25 connector; see section 3.12). Refer to Figure 3-1 for the board location of these two connectors. Figure 4-3 shows how the Applications (A) edge connector should be wired for the cassette unit. The Terminal (T) connector should be wired as shown in Figure 4-3 if the unit is to be attached to the T connector. Keep the leads as short as possible and avoid running them near sources of electrical interference such as AC power cords. Always use the ground connection at the connector and do not ground directly to the power supply.

The remote control circuitry on the SYM-1 card allows a variety of cassette recorders to be used under software control. However, before you connect your remote control you must determine which type of connection is necessary for your particular recorder. Figure 3-3 illustrates the SYM-1 circuitry and eight different ways to hook it up. The following procedure can be used to determine which connection is necessary for your recorder:

1. Insert the remote control cable into your recorder. Install a tape in the unit.
2. Press play. The tape should not move. If it does, check the cable.
3. Measure the voltage at the center tip of the open end of the cable. (See Figure 3-4. Use ground reference from the EAR plug.) Record this as

AUDIO CASSETTE SYM REMOTE CONTROL CONNECTION



LETTERS IN PARENTHESIS ARE REFERENCES INDICATED AS CONNECTIONS TO THE RECORDER JACKS

AUDIO CASSETTE RECORDER JACKS REMOTE CONTROL CONNECTIONS

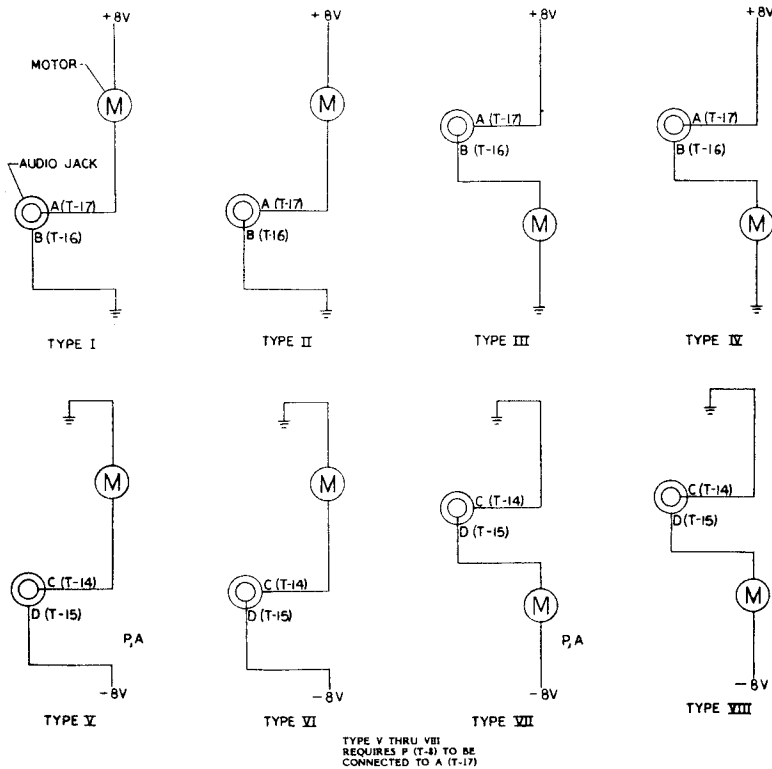


Figure 3-3. REMOTE CONTROL TYPES AND CONNECTIONS

Table 3-1. AUDIO CASSETTE REMOTE CONTROL TYPE DETERMINATION

		READING A (center tip voltage)		
		-6v to -8v	GND	+6v to +8v
READING B (shield voltage)	-6v to -8v		<u>READING C</u> GND Type VIII -8v Type V	
	GND	<u>READING C</u> GND Type VII -8v Type VI		<u>READING C</u> GND Type I +8v Type IV
	+6v to +8v		<u>READING C</u> GND Type II +8v Type III	

Reading C (shorted)

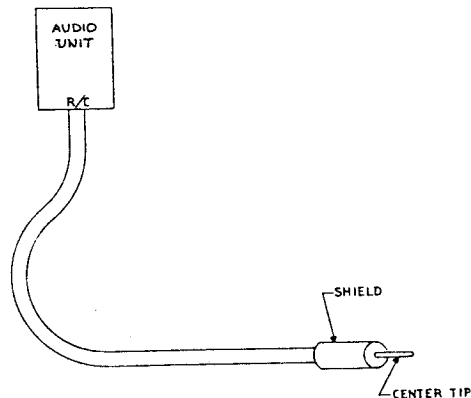


Figure 3-4. REMOTE CONTROL PLUG UNIT

- Reading A. Typically this will be either +6 to +8 volts, -6 to -8 volts, or ground.
4. Measure voltage at the shield of the open end of the cable. Record this as Reading B. The same typical values stated in step 3 will apply. Readings A and B should not be the same.
 5. Using a wire jumper, short the shield and center tip together. Your tape should now move. Measure the voltage at the center tip (do not remove the short). Record this as Reading C.
 6. If your tape moves in step 2 or your tape does not move in step 5, check your cable for opens or shorts.
 7. Use Table 3-1 to determine which type of connections to make for your recorder.
 8. After you have found the proper category for your recorder, Figure 3-3 illustrates which connections to make.

3.9 SAVE AND LOAD EXERCISE

To check cassette unit operation, we'll "Save" on tape the program presented in Section 3.7, then load the program back into RAM. But before beginning tape operations, we must set the volume and tone controls on the recorder to the correct position. This is accomplished by creating and using a "sync" tape as described in Appendix F. Follow those procedures now, keeping in mind that we will save the program, and thus will also load it back into RAM, in HIGH-SPEED format.

After adjusting you recorder, enter the program from the keyboard as you did before. Insert a tape into the recorder. If your unit is equipped with remote control, place it in Record mode. Since the motor for the cassette is under software control, the tape will not advance. If your unit does not have remote control, do not place the unit in Record mode until just before pressing (CR) while entering the save command shown below including the carriage return, before placing the unit in Play Mode.

<u>YOU KEY IN</u>	<u>DISPLAY SHOWS</u>	<u>EXPLANATION</u>
(SAV 2) 3 (-) 200 (-) 210 (CR)	0-210.	Save locations 0200 to 0210 in a record with ID=03, in HIGH-SPEED format.

When recording starts the display will go blank. When recording is completed the display will re-light. All this should take approximately eight seconds. If your unit does not have remote control, stop the tape manually after the display re-lights.

Now rewind the tape to the starting point. If your unit has remote control, you will have to pull out the Remote jack from the recorder or keep your finger on the RST key.

To destroy the program stored in RAM, turn off system power, then turn it on again.

Log back onto the computer by pressing (CR), then place the cassette unit in Play mode if it is equipped with remote control. If you are operating the controls manually, you should first enter the load command shown below.

<u>YOU KEY IN</u>	<u>DISPLAY SHOWS</u>	<u>EXPLANATION</u>
(LD 2) 3 (CR)	..L3	Load HIGH-SPEED tape record with ID=03 into memory.

This command directs the SYM-1 to search for the tape record with ID=03. While the SYM-1 is searching, an "S" will be displayed. When reading begins, the AUDIO indicator LED will glow and the display should go blank. When the specified record has been loaded into memory the display will re-light.

If you are operating the controls manually, turn the recorder OFF. Under remote control, the motor will stop automatically.

Now follow the instructions in Section 3.7 for executing the program. The result of the addition, C6 (Hex), should appear on the display. If the "S" did not disappear when reading in the program, or if the cassette otherwise did not respond as described above, check all wiring connections, verify the settings of the volume and tone controls and repeat the recording and playback procedures, making sure that each step is performed correctly. If after rechecking connections and repeating the procedure you are still unsuccessful, refer to Appendix A.

3.10 ATTACHING A TTY

To enable you to add a hard copy output device to your system, SYM-1 interfaces to a TTY terminal. Since the Teletype Model 33ASR is widely used and easily obtained, it will be used in the procedures and diagrams in this section. To interface other terminals, use the information given in this section as a general guide and consult the terminal instruction manual for different wiring and connection options.

Your TTY should be set for 20 mA current-loop operation. If it is not, follow the manufacturer's instructions for establishing this configuration. In addition, check to make sure that your TTY is set up to operate in full-duplex mode. You need not concern yourself with the TTY data transmission rate. SYM-1 assumes 110 bits-per-second (baud) for TTY terminals.

Just like an audio cassette recorder, a TTY may be attached to either the Applications (A) connector or using a DB25 (see section 3.12), to the Terminal (T) connector connection (See Figure 3-1). Figure 3-5A shows how the edge connector should be wired if the TTY will be attached to the "A" connector. Figure 3-5B shows the proper connections if it will be attached to the "T" connector. Wire the edge connector as appropriate for your application, then slide it into position. To "log on" to the terminal enter the following command at the on-board keyboard (not on the TTY keyboard).

<u>YOU KEY IN</u>	<u>DISPLAY SHOWS</u>	<u>EXPLANATION</u>
(RESET)		
(CR)	SY1.0 . .	Log-on to keyboard
(SHIFT) (JUMP) 1 (CR)	blank	Log-on to TTY

The TTY should respond with a carriage return and the TTY prompt character, a period. If it does not, turn off the power and re-check your connections, then power-up again.

3.11 TERMINAL EXERCISE

After the TTY prints the prompting character (".") as shown on the first line of the chart below, perform the rest of the steps listed to become acquainted with TTY operation. You will be entering a portion of the program presented in Section 3.7.

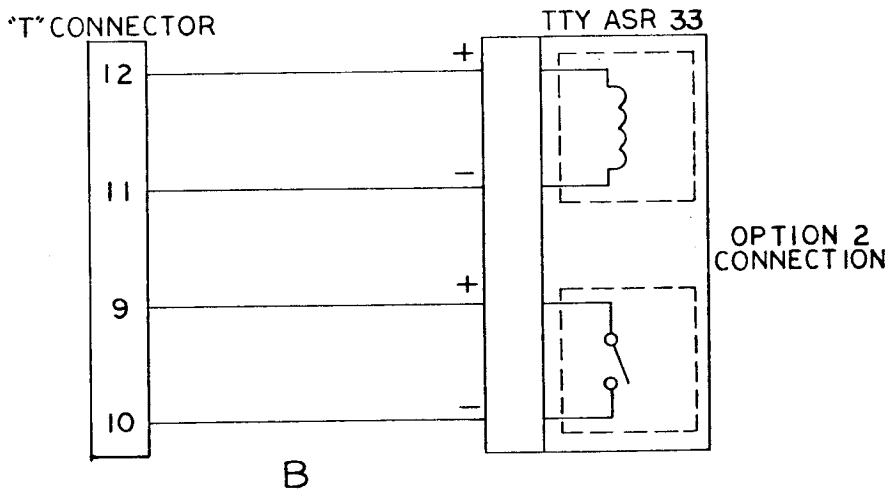
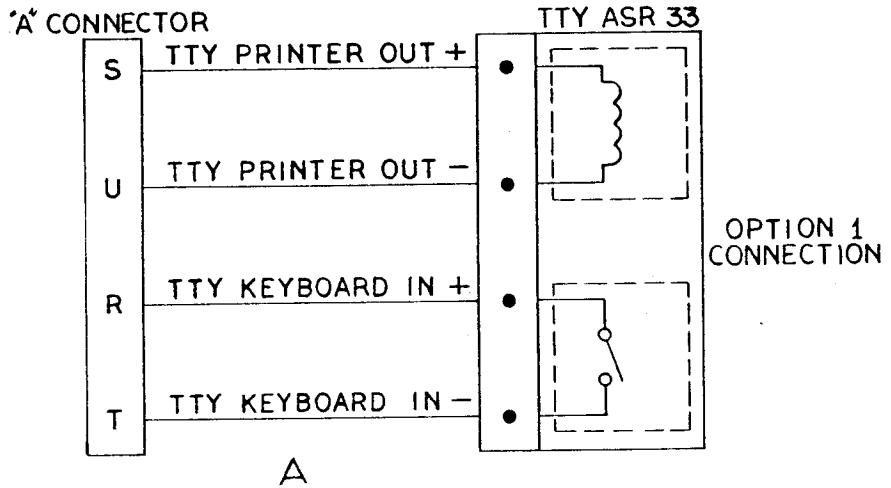


Figure 3-5. TTY I/O CONNECTIONS

<u>YOU KEY IN</u>	<u>TTY PRINTS</u>	<u>EXPLANATION</u>
M 200 (RETURN)	. .M 200 0200,**,	Prompt Display contents of location 0200
C1	0200,**,C1 0201,**,	Store C1 (Hex) in 0200, display 0201
05	0201,**,05 0202,**,	Store 05 (Hex) in 0201, display 0202
(RETURN)	.	Return to monitor

3.12 ATTACHING A CRT

SYM-1 is equipped with an RS-232 interface to facilitate the use of such RS-232 devices as a full-ASCII keyboard and CRT display. Figure 3-6 shows how the proper DB25 connector, which may be easily obtained from an electronics supply house or computer hobby store, should be wired. The location of the interface on the SYM-1 board is shown in Figure 3-1. Some older units may need to be wired differently. Refer to the section on jumper options in Chapter 4.

3.13 CRT EXERCISE

Operating a CRT terminal is very similar to operating a TTY. Names of keys and their functions may vary slightly depending on the device, so you should consult your CRT operating manual to find which keys correspond to the TTY keys used in the exercise in section 3.11. SYM-1 automatically adjusts to data transmission rates of 110, 300, 600, 1200, 2400, or 4800 baud for CRT operation. To set the baud rate, enter a "Q" on the CRT keyboard after powering-up (do not press any on-board keys). The CRT should respond with a ".", the terminal prompt character. Now repeat the exercise in Section 3.11 using the CRT keyboard.

In this chapter you have made your SYM-1 operational and learned how to attach several peripheral devices to the system. Let's move on to Chapter 4 and examine in detail the various features of SYM-1 hardware and software.

CRT I/O CONNECTIONS

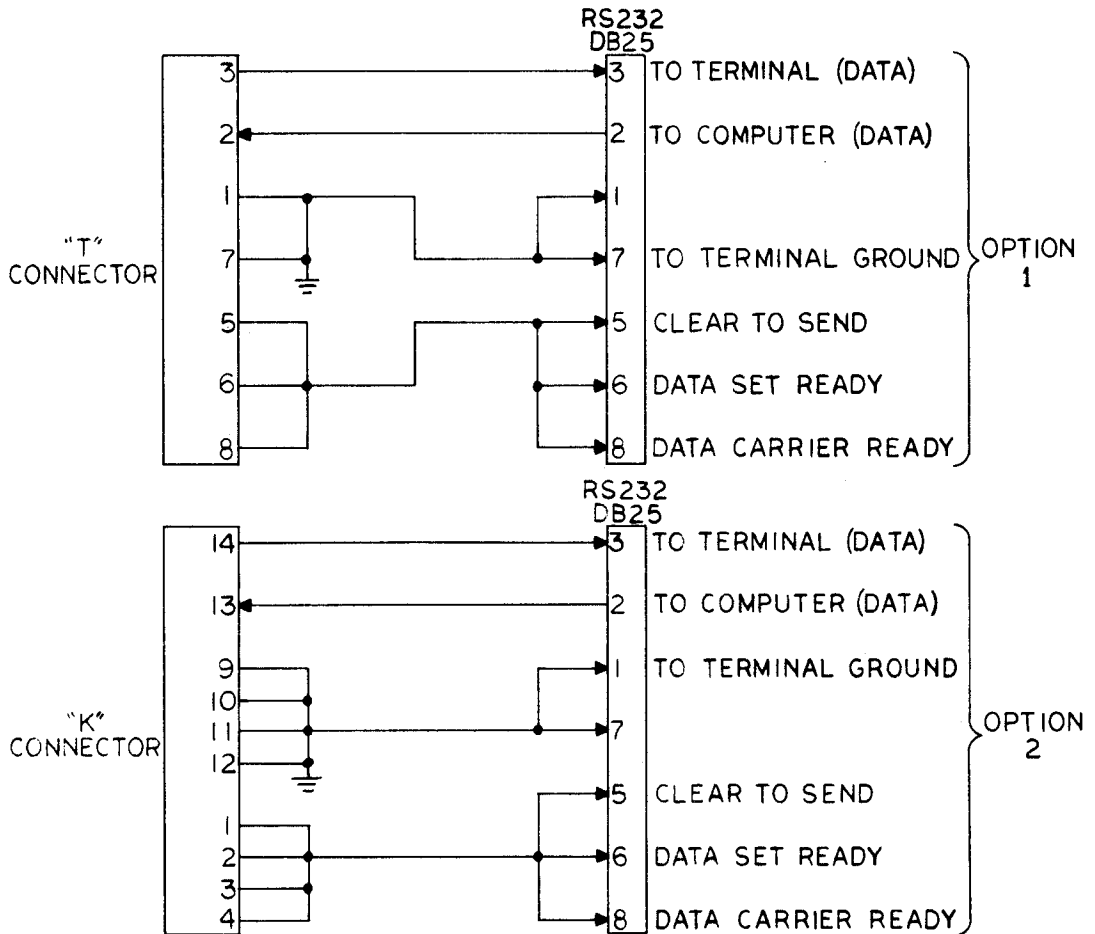


Figure 3-6. CRT I/O CONNECTIONS

CHAPTER 4

SYM-1 SYSTEM OVERVIEW

This chapter will describe your SYM-1 microcomputer system's hardware and software in sufficient detail to allow you to understand its theory of operation. Each Integrated Circuit (IC) component on the SYM-1 board is discussed and related to a functional block diagram. Each functional module is then discussed schematically and the I/O connectors are described. The system memory is then covered and the software is discussed briefly. Detailed data on the software itself is found in Chapter 5 of this manual.

4.1 HARDWARE DESCRIPTION

The SYM-1 microcomputer consists primarily of a 6502 CPU, one or more 6522 Versatile Interface Adapters (VIA), a 6532 Memory and I/O Controller and two types of memory involving any combination of several different components. Because of the flexibility of the memory structure, it is discussed in a separate section (4.2, below).

In any microcomputer system, all the components work together functionally as well as being physically interconnected. These connections are illustrated in Figure 4-1, a block diagram of the SYM-1 microcomputer system.

4.1.1 6502 CPU Description

The Central Processing Unit (CPU) of the SYM-1 microcomputer system is the 6502 microprocessor which is designed around a basic two-bus architecture--one full 16-bit address bus and an eight-bit data bus. Two types of interrupts are also available on the processor. Packaged in a 40-pin dual-in-line package, the 6502 offers a built-in oscillator and clock drivers. Additionally, the 6502 provides a synchronization signal which indicates when the processor is fetching an instruction (operation code) from program memory.

During the following discussion of the 6502, you should refer to the Data Sheets in this manual, which describe the pin connections for all three of the major types of devices present on the SYM-1 microprocessor system.

4.1.1.1 Bus Structure. The 6502 CPU is organized around two main busses, each of which consists of a separate set of parallel paths which can be used to transfer binary information between the components and devices in the SYM-1 system. The address bus transfers the address generated by the processor to the address inputs of the peripheral interface and memory devices (i.e., the 6522 and 6532 components). Note that in the Data Sheet for the 6502, the address lines originate at pins 9-20 and 22-25 of the 6502 CPU. These address lines go to pins 2-17 on the 6522 and/or to pins 2, 5-8, 10-15 and 34-40 on the 6532. Since the processor is almost always the only source of address generation in a system, an address bus is generally referred to as "unidirectional." That is the case with the SYM-1 microcomputer system. Since the address bus consists of 16 lines, the processor may read and write to a total of 65,536 bytes of storage (i.e., program memory words, RAM words, stack, I/O devices and other information), a condition which is normally referred to as a "64K memory capacity."

The other bus in the 6502 processor is called the data bus. It is an eight-bit bidirectional data path between the processor and the memory and interface devices. When data is moved from the processor to a memory location, the system performs a write; when the data is traveling from memory to the CPU, a read is being performed. Pins 26-33 on the 6502, 6522 and 6532 devices are all data lines connected to the data bus. The direction of the transfer of data between these pin connectors is determined by the output of the Read/Write (R/W, Pin 34) of the 6502. This line enables a write memory when it is "low" (when its voltage is below 0.4 VDC). Write is disabled and all data transfers will take place from memory to the CPU if the level is high (greater than 2.4 VDC).

One of the important aspects of the 6502 CPU is that it has two interrupt input lines available, Interrupt Request (labeled \overline{IRQ} in the Data Sheet) and a Non-Maskable Interrupt (labelled \overline{NMI}).

Interrupt handling is one of the key aspects of microprocessor system design. Although the idea of interrupt handling is fairly simple, a complicating factor is the necessity for the processor to be able to handle multiple interrupts in order of priority (usually determined by the programmer) and not "losing track" of any of them in the process. These are concepts which you as a programmer-user of the SYM-1 will be concerned with only in advanced applications. The handling of user-generated interrupts is discussed elsewhere in this manual. If you do have occasion to alter pre-determined interrupt handling, it will be helpful for you to understand how the process works for the two types of interrupts in the 6502.

There are two main differences between the \overline{IRQ} and \overline{NMI} signals and their handling. First, \overline{IRQ} will interrupt the CPU only if a specific flag--the Interrupt Disable Flag (I)--in the system's Processor Status Register is cleared, i.e., zero. If this flag is "set"--i.e., one--the \overline{IRQ} is disabled until the flag is cleared. But an \overline{NMI} request (as its name implies) always causes an interrupt, regardless of the status of the I-flag. The other main difference between the two types of interrupts is that the \overline{IRQ} interrupt is "level sensitive." Any time the signal is less than 0.4 VDC and the Interrupt Disable flag is cleared, an interrupt will take place. In the case of \overline{NMI} , the interrupt is said to be "edge-sensitive" because it is dependent on a sequence of timing events. This interrupt will occur only if the signal goes "high" (i.e., exceeds 2.4 VDC) and then goes back to ground (less than 0.4 VDC). The interrupt occurs on the negative-going transition past 0.4 V.

The Data Sheet contains a summary of the 40 pins on the 6502 CPU and their function. Note that three of the pins--5, 35 and 36--are not connected on the 6502.

4.1.1.2 Summary. The 6502 CPU is a versatile processor. It was selected for your SYM-1 microprocessor system because of its overall functional characteristics, which facilitate its use in a wide variety of applications. Its role in the SYM-1 system will become clearer when we discuss programming and software in Section 4.3 and in Chapters 5 and 6.

4.1.2 6522 Description

The SY6522 Versatile Interface Adapter (VIA) is a highly flexible component used on the SYM-1 module to handle peripheral interfaces. Two of these devices are standard components on your SYM-1; a third may be added merely by plugging it into the socket (U28) provided. Control of the peripheral devices is handled primarily through the two eight-bit bi-directional ports. Each line of these ports can be programmed to act as

either an input or an output. Also, several of the peripheral I/O lines can be controlled directly from the two very powerful interval timers integrated into the chip. This results in the capability to 1) generate programmable frequencies, 2) count externally generated pulses, and 3) to time and monitor real time events.

A description of the pin designations on the SY6522 is contained in the Data Sheet enclosed with your SYM-1. It should be used in following the discussion of the operation of the component in the SYM-1 module which follows. The Memory Map of the SYM-1 module (Figure 4-10) will also be helpful during this discussion.

4.1.2.1 Processor Interface. Data transfers between the SY6522 and the CPU (6502) take place over the eight-bit data bus (DB0-DB7) only while the Phase Two Clock ($\emptyset 2$) is high and the chip is selected (i.e., when CS1 is high and CS2 is low). The direction of these data transfers is controlled by the Read/Write line (R/W). When this line is low, data will be transferred out of the processor into the selected 6522 register; when R/W is high and the chip is selected, data will be transferred out of the SY6522. The former operation is described as the write operation, the latter the read operation.

Four Register Select lines (RS0-RS3) are connected to the processor's address bus to allow the processor to select the internal SY6522 register which is to be accessed. There are 16 possible combinations of these four bits and each combination accesses a specific register. Because of the fact that the SY6522 is a programmable-addressable device, these RS line settings, in combination with the basic device address, form the specific register address shown in the 6522 Data Sheet.

Two other lines are used in the SY6522 interface to the 6502 processor. The Reset line (\overline{RES}) clears all internal registers to a logical zero state (except T1, T2 and SR), placing all peripheral lines in the input state. It also disables the timers, shift register and other on-chip functions and disables interrupting from the chip. The Interrupt Request line (\overline{IRQ}) generates a potential interrupt to the CPU when an internal interrupt flag is set and a corresponding interrupt enable bit is set to a logical "1." The resulting output signal is then "wire or'ed" with other similar signals in the system to determine when and whether to interrupt the processor.

4.1.2.2 Peripheral Interface. As we mentioned earlier, peripheral interface is handled largely over two eight-bit ports, with each of the 16 lines individually programmable to act as an input or output line. Port A consists of lines PA0-PA7 and Port B of lines PB0-PB7.

Three registers are used to access each of the eight-bit peripheral ports. Each port has a Data Direction Register (DDRA and DDRB), which is used in specifying whether the pins are to act as inputs or outputs. If a particular bit in the Data Direction Register is set to zero, the corresponding peripheral pin is acting as an input; if it is set to "1," the pin acts as an output point.

Each of the 16 peripheral pins is also controlled by a bit in the output register (ORA and ORB) and a similar bit in the Input Register (IRA and IRB). When the pin is programmed to act as an output, the voltage on the pin is controlled by the corresponding bit in the Output Register. A "1" in the appropriate Output Register causes the pin to go "high" (2.4 VDC or higher), and a zero causes it to go "low" (0.4 VDC or lower).

Functionally, reading a peripheral port causes the contents of the appropriate Input Register to be transferred to the Data Bus.

The SY6522 has a number of sophisticated features which allow very positive control of data transfers between the processor and peripheral devices through the operation of "handshake" lines which involve the use of Peripheral Control Lines (CA1-CA2 and CB1-CB2). These operations are beyond the scope of this manual; if you are interested in further information, you should consult the data sheet enclosed.

4.1.3 6532 Description

Like the SY6522 described above, the SY6532 is used on the SYM-1 module to control peripheral interface. Only one SY6532 is furnished with your SYM-1 and no others are provided for.

From an operational standpoint, the SY6532 is quite similar to the SY6522. One key difference, particularly on your SYM-1 module, is the presence of a 128-byte x 8-bit RAM within the SY6532. This is the location referred to as "System RAM" in discussions of the software operation and in the Memory Map (Figure 4-10).

A description of the pin designations on the SY6532 is included in the enclosed Data Sheet. You will notice that, like the SY6522, the SY6532 contains 16 peripheral I/O pins divided into two eight-bit ports (lines PA0-PA7 and PB0-PB7). Each of these pins can be individually programmed to function in input or output mode. \overline{IRQ} on the SYM-1 SY6532 is not connected.

The Address lines (A0-A6) are used with the RAM Select (\overline{RS}) line and the Chip Select lines (CS1 and $\overline{CS2}$) to address the SY6532. It is in this addressing that the SY6532 differs somewhat from the SY6522's on your SYM-1 module. To address the 128-byte RAM on the SY6532, CS1 must be high and $\overline{CS2}$ and \overline{RS} must both be low. To address the I/O lines and the self-contained interval timer, CS1 and \overline{RS} must be high and $\overline{CS2}$ must be low. In other words, CS1 is high and $\overline{CS2}$ is low to address the chip; \overline{RS} is used to differentiate between addressing RAM and the I/O Interval Timer functions. Distinguishing between I/O lines and the Interval Timer is the function of Address Line 2 (A2), which is high to address the timer and low to address the I/O section. Again, the Memory Map in Figure 4-10 clarifies these operations since they are largely software-directed and address-dependent.

4.1.4 Functional Schematics

Understanding the electrical interfaces among the various components may be of some interest to you as you use and expand your SYM-1 microcomputer. The figures on the following pages include segmented schematics, where each figure provides an electronic overview of the interface between the CPU and its related component devices and peripherals.

Table 4-1 describes the contents of each figure in this group of schematic segments.

Table 4-1. INDEX OF SCHEMATIC SEGMENTS FIGURES 4-2 TO 4-9

<u>Figure</u>	<u>Function/Segment Diagrammed</u>
4-2	TTY and CRT Interface
4-3	Audio Cassette Interface
4-4	Audio Cassette Remote Control
4-5	I/O Buffer
4-6	Keyboard/Display
4-7	Control Section
4-8	Memory Section
4-9	Oscilloscope Output Driver

Table 4-2 provides, in summary form, a list of the connector points on the four SYM-1 connectors. This allows you to determine pin and connector configurations for various application options.

Table 4-2. CONNECTOR POINTS AND THEIR FUNCTIONS IN VIM-1

Key: 1 2 3 4 5 6 7 8 9 10 11 12 13 14 15 16 17 18 19 20 21 22 Component Side
 A B C D E F G H J K L M N P R S T U V W X Y Z Solder Side

EXPANSION (E)		APPLICATION (A)		AUXILIARY APPLICATION (AA)	
1	SYNC	1	GND	1	GND
2	RDY	2	APA3	2	-VN
3	\emptyset 1	3	APA2	3	2 PA 1
4	IRQ	4	APA1	4	2 CA 2
5	RO	5	APA4	5	2 CB 2
6	NMI	6	APA5	6	2 PB 7
7	RES	7	APA6	7	2 CB 2
8	DB7	8	APA7	8	2 PB 5
9	DB6	9	APB0	9	2 PB 4
10	DB5	10	APB1	10	2 PB 3
11	DB4	11	APB2	11	2 PA 7
12	DB3	12	APB3	12	2 PA 5
13	DB2	13	APB4	12	2 PA 3
14	DB1	14	APA0	13	RES
15	DB0	15	APB7	14	3 CA 1
16	I8	16	APB5	15	SCOPE
17	DBOUT (1)	17	KB ROW O	16	3 PB 3
18	POR	18	KB COL F	17	3 PB 1
19	Unused	19	KB COL B	18	3 PA 7
20	Unused	20	KB COL E	19	3 PA 0
21	+5V	21	KB COL 2	20	3 PA 1
22	GND	22	KB COL A	21	3 PA 2
			KB COL D	22	3 PB 4 (B)
			KB ROW 1		3 PB 6 (B)
			KB ROW 3		
			KB COL G		
			KB COL 5		
			KB ROW 2		
			KB COL 1		
			KB COL C		
			KB ROW 1		
			TTY KB RTN (+)		
			TTY KB RTN (-)		
			TTY PTR (+)		
			TTY PTR (-)		
			Audio In		
			Audio Out (LO)		
			RCN-1 (1)		
			Audio Out (HI)		

(1) Jumper option
 (B) Buffered

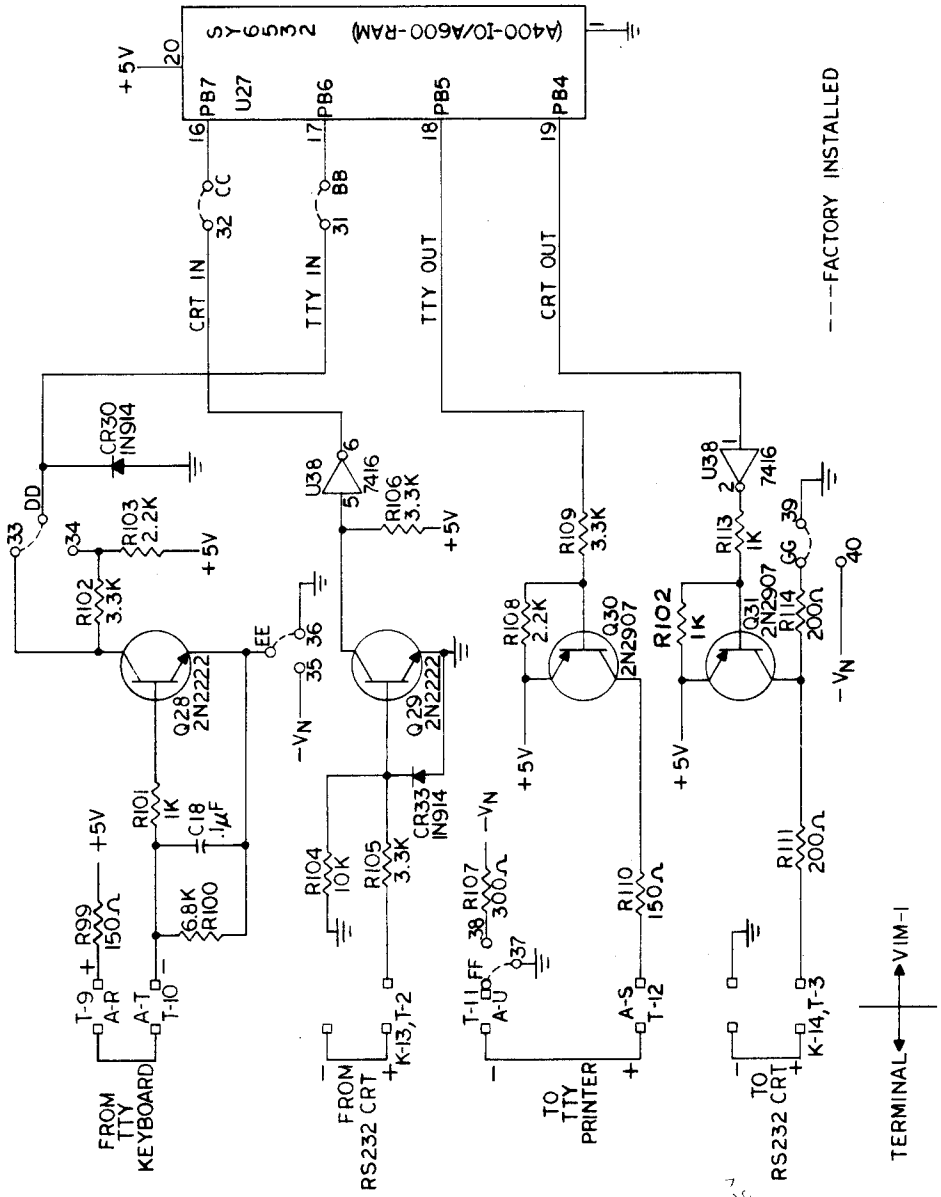


Figure 4-2. TTY/CRT INTERFACE SCHEMATIC

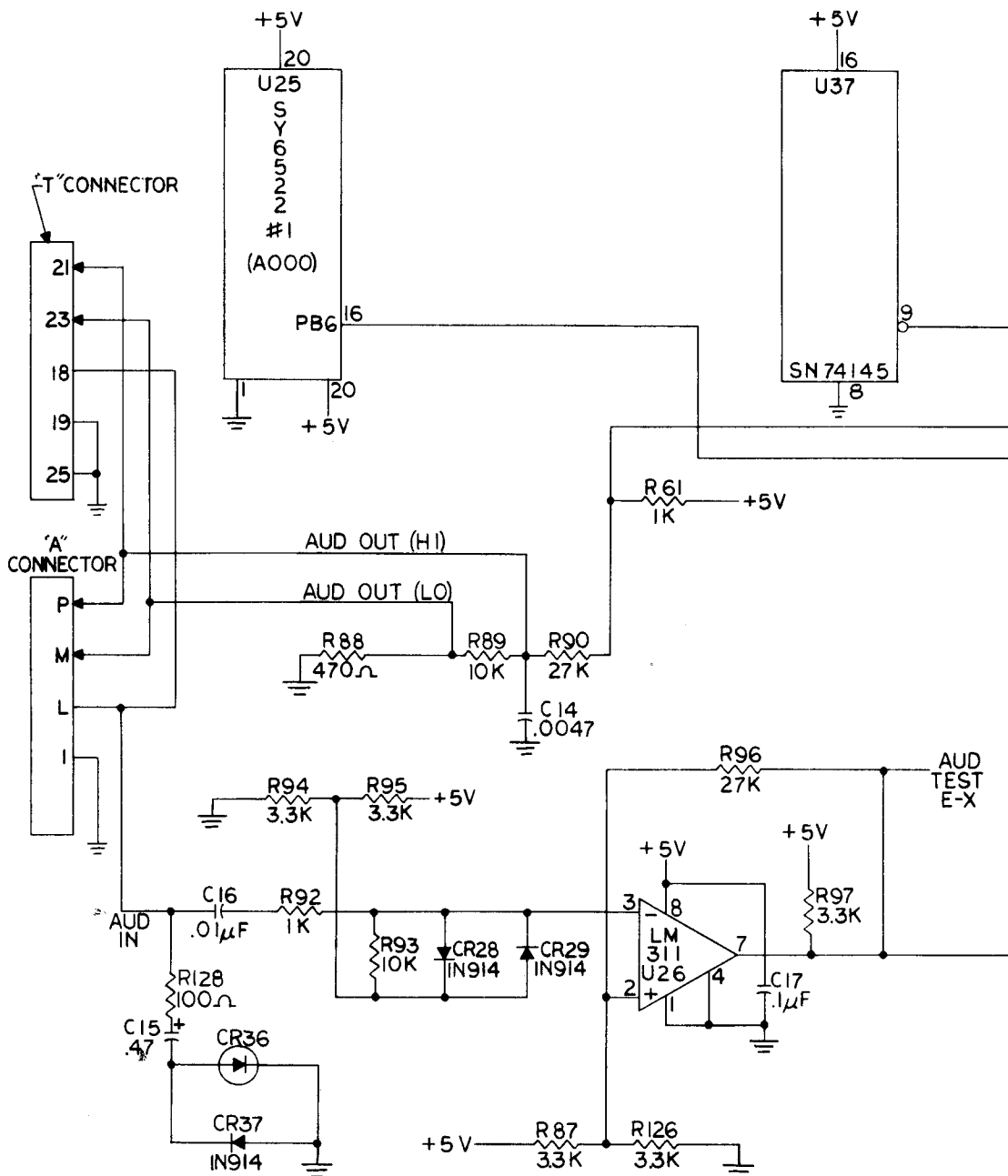
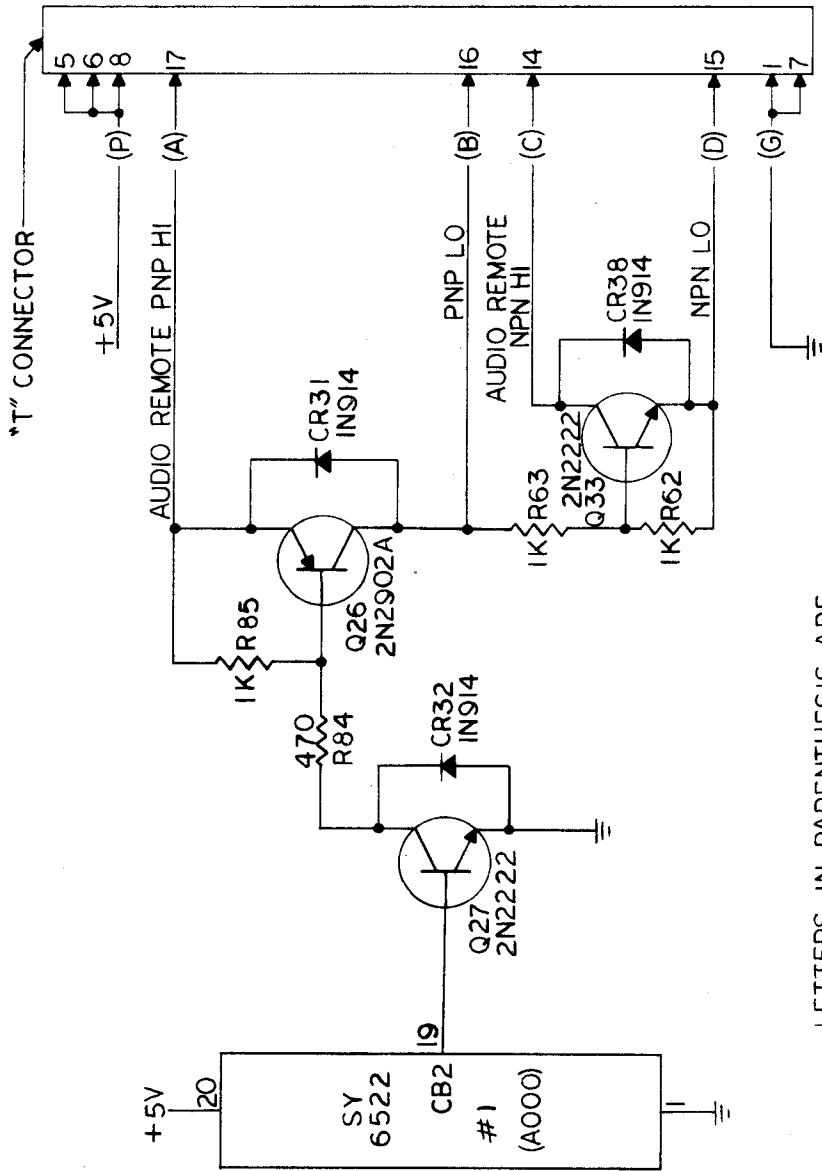


Figure 4-3. AUDIO CASSETTE INTERFACE SCHEMATIC



LETTERS IN PARENTHESIS ARE REFERENCES INDICATED AS CONNECTIONS TO THE RECORDER JACKS

Figure 4-4. AUDIO CASSETTE REMOTE CONTROL

I/O BUFFERS

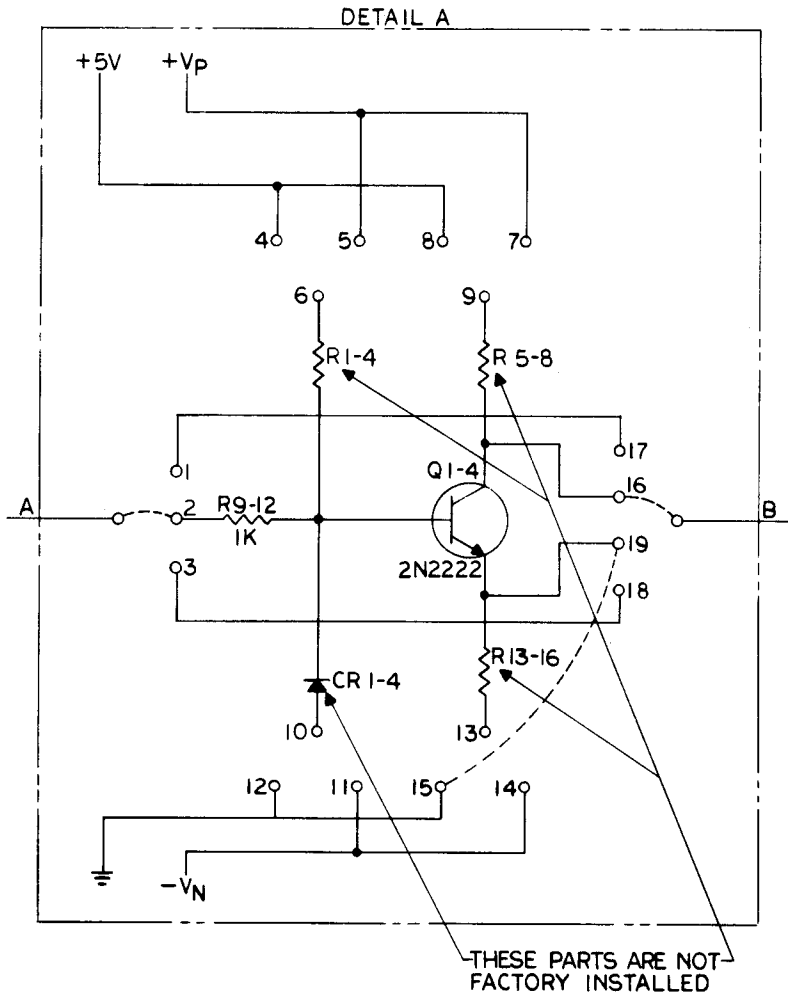
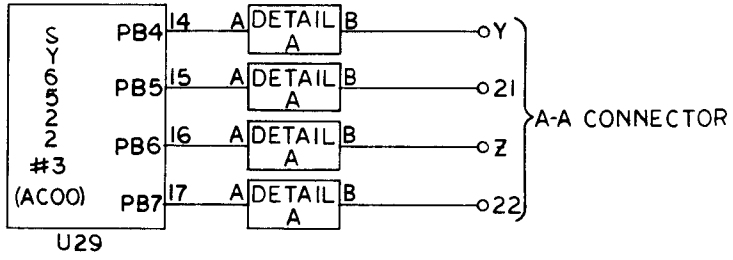


Figure 4-5. I/O BUFFERS SCHEMATIC

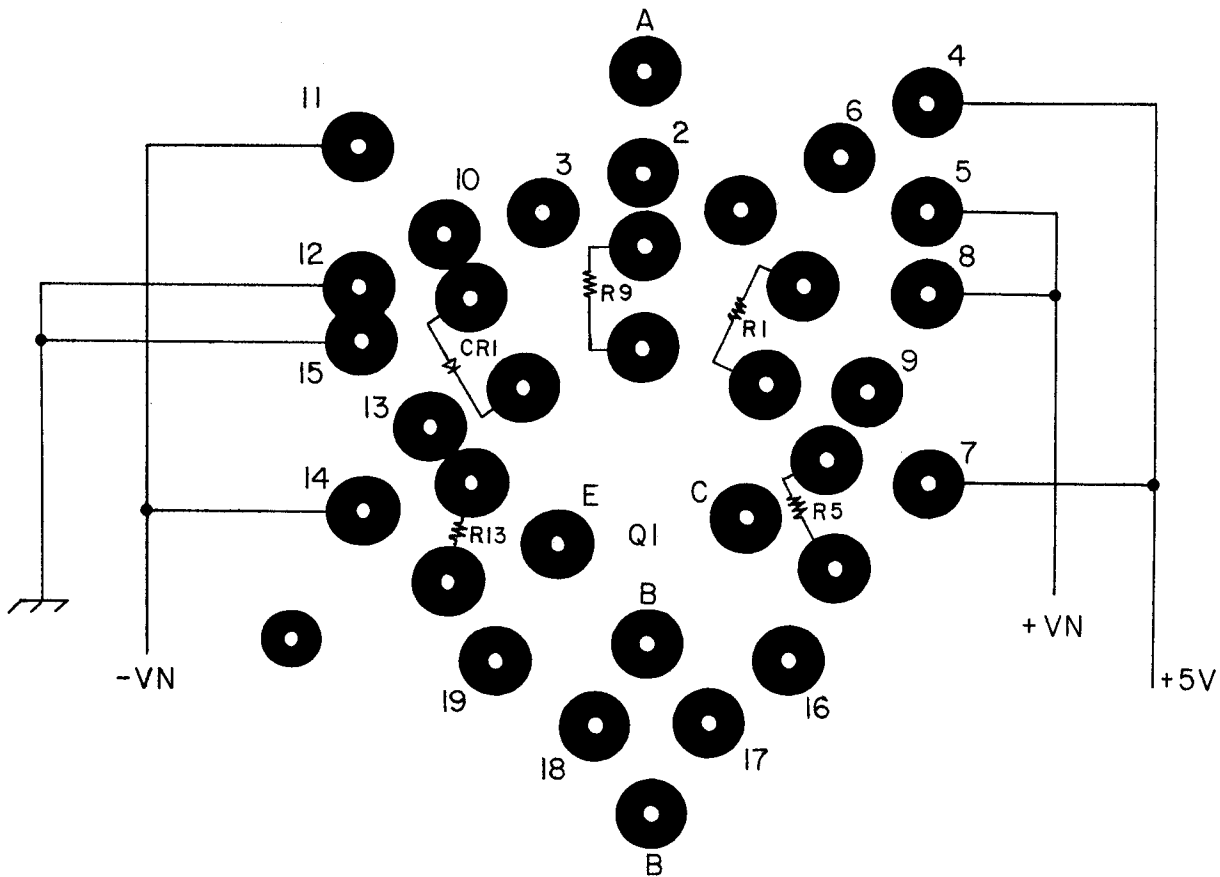


Figure 4-5a. I/O BUFFERS, PC LAYOUT BLOW-UP

KEYBOARD/DISPLAY

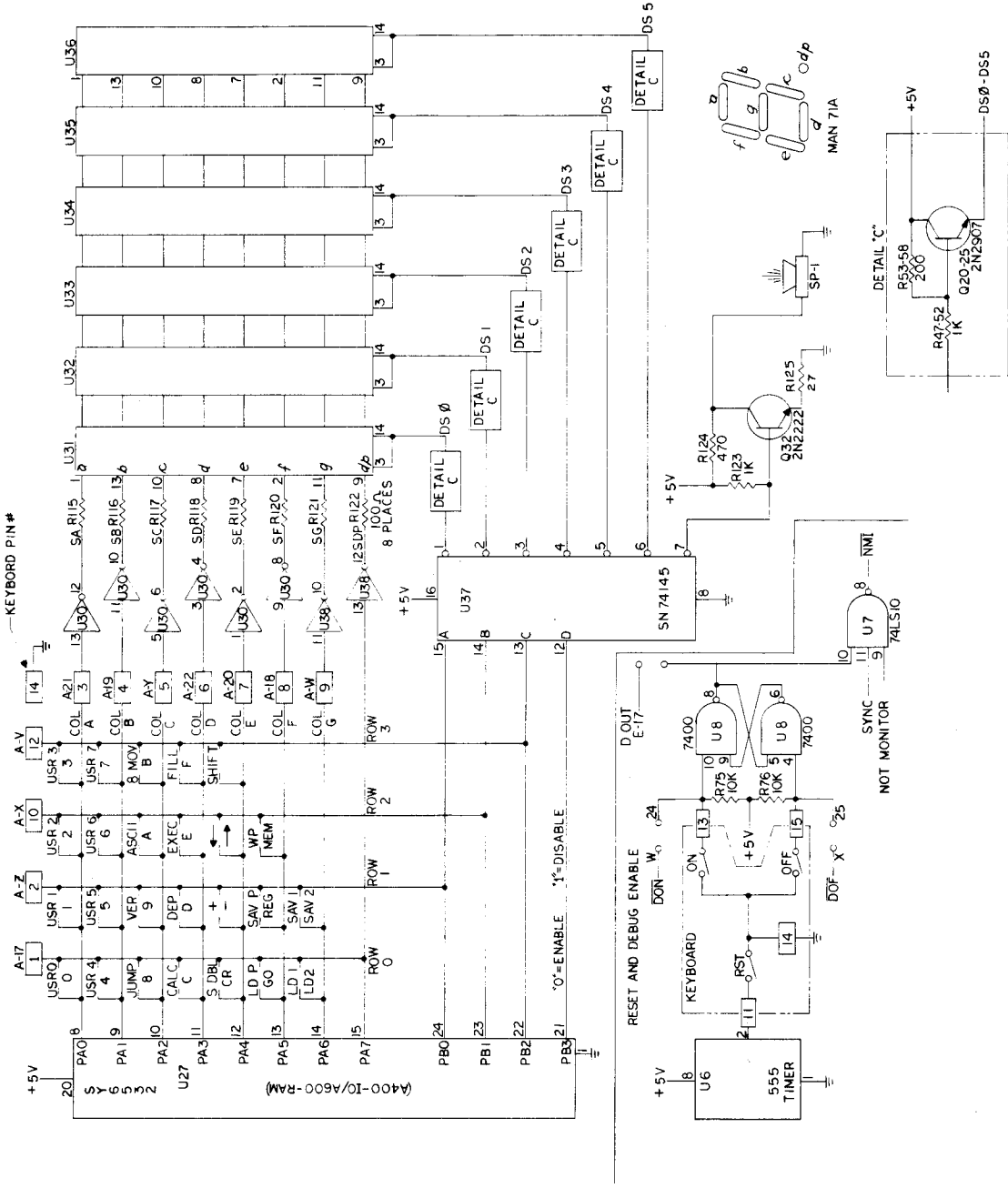


Figure 4-6. KEYBOARD/DISPLAY SCHEMATIC

CONTROL

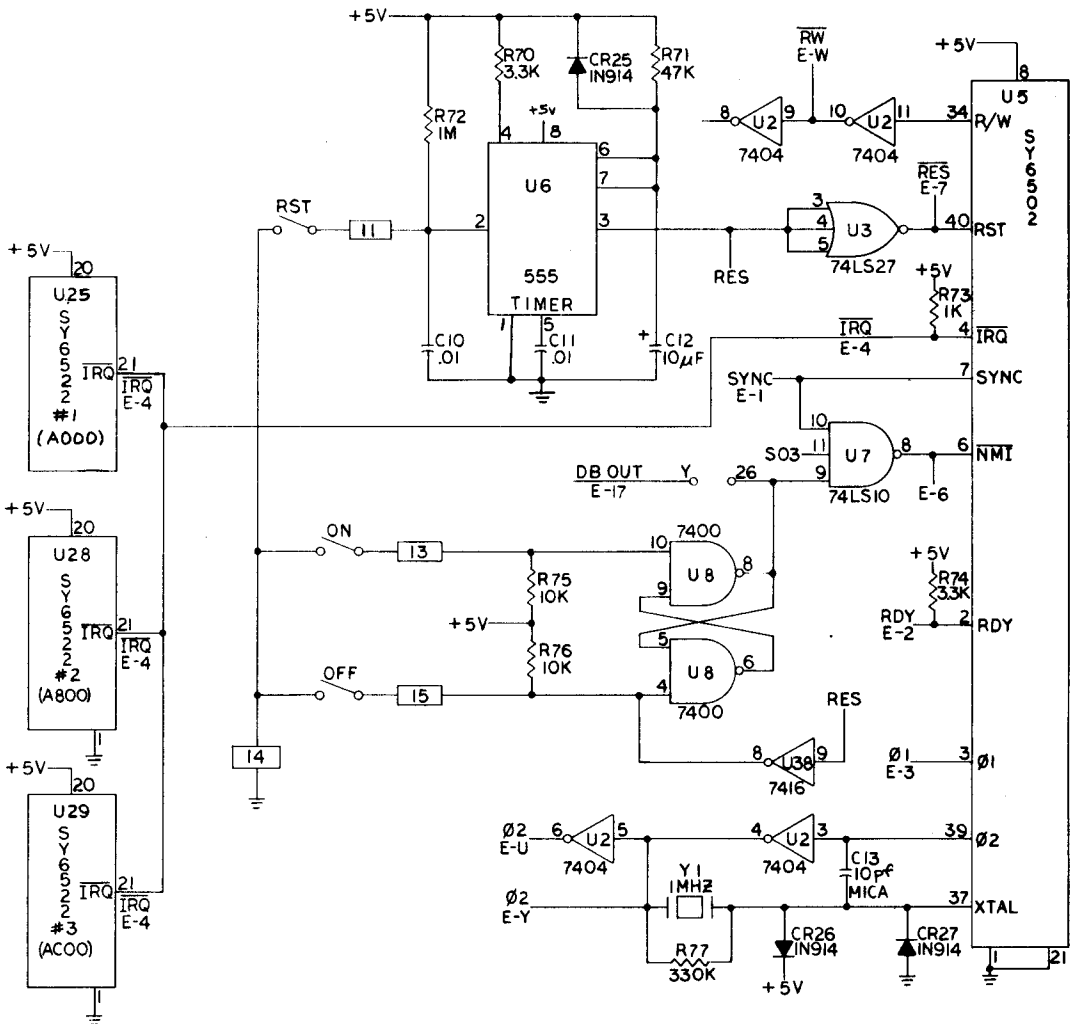


Figure 4-7. CONTROL SECTION SCHEMATIC

OSCILLOSCOPE OUTPUT DRIVER

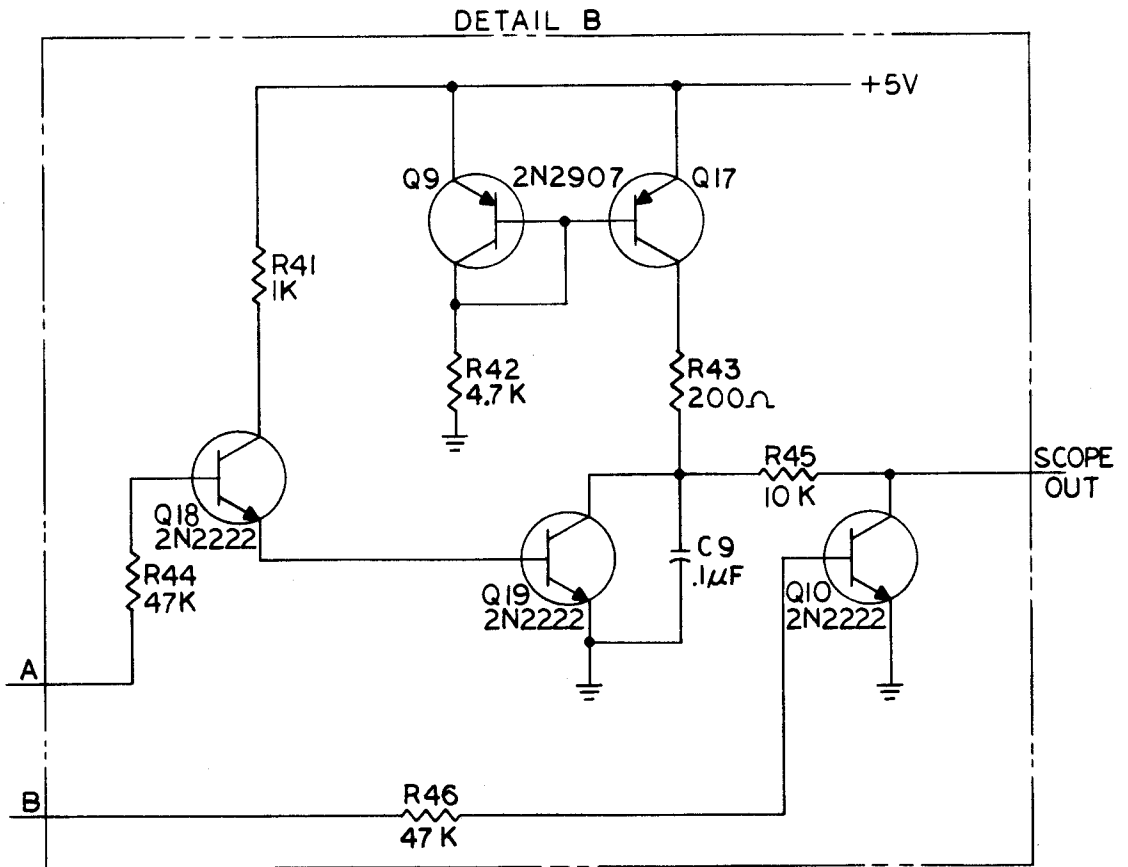
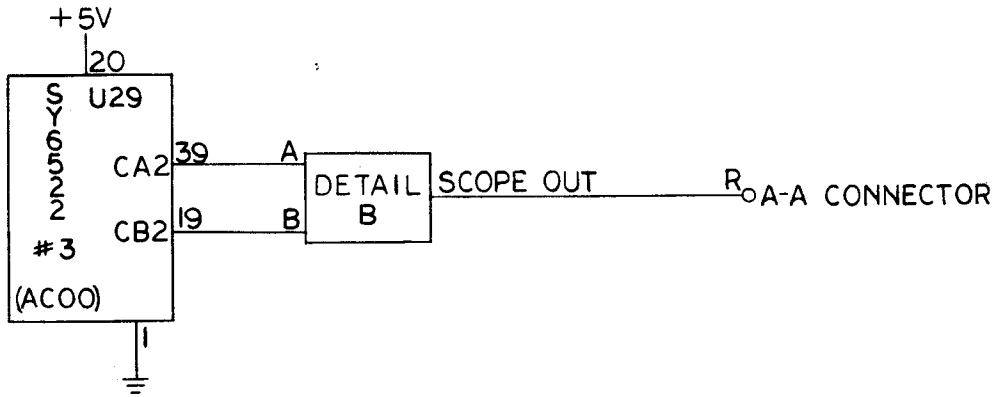


Figure 4-9. OSCILLOSCOPE OUTPUT DRIVER SCHEMATIC

4.2 MEMORY ALLOCATION

This section describes the standard memory allocation in your SYM-1 microcomputer system. It makes extensive use of the detailed Memory Map contained in Figure 4-10. Also described in this section is the technique by which ROM and RAM addressing and usage may be altered by using an array of on-board jumpers which allow you to modify and expand your SYM-1 memory. Expanding RAM memory using off-board components is taken up briefly in Section 4.2.3, although a detailed discussion of this is reserved for Chapter 8, "System Expansion".

4.2.1 Standard Memory Allocation

Figure 4-10 is a map of the standard memory allocation in your SYM-1 microcomputer. Provided with your system are 1K of on-board RAM, extending from location 0000 to 03FF in the Memory Map. Note that the top-most eight bytes (locations 00F8 to 00FF) in Page Zero of this 1K block are reserved for use by the system and should not be used by your programs. The remainder of Page Zero is largely similar to the rest of the RAM provided, but it also has some special significance for addressing which will become clearer in Section 4.3. Locations 0100-01FF in the 1K memory block furnished with your system are reserved for stack usage. Your programs may use this area, but you should use it for normal stack operations incidental to operating your programs. Locations 01FF-03FF are general-use RAM for your program and data storage.

In addition to the 1K of on-board RAM furnished with your system, sockets are provided for 3K of plug-in RAM, allowing you to have 4K of on-board RAM memory. These sockets occupy memory locations 0400-0FFF.

The SUPERMON monitor resides in ROM at memory locations 8000-8FFF. (As you know, the SY6502 CPU addresses all memory and I/O identically, so that it is immaterial whether a specific address location is occupied by RAM, ROM or I/O devices.) The next 4K block, from 9000-9FFF, is reserved for future expansion of SUPERMON, although you may use those locations if you wish to do so, provided you remember that if you should obtain an expanded SUPERMON system in the future these addresses may be used.

Extending from A000-AFFF are the I/O devices on your SYM-1 module. As we have previously said, each port on the SY6522/SY6532 devices in SYM-1 is an addressable location. Sheets 2-6 of Figure 4-10 provide you with a detailed Memory Map breakdown of how these devices are addressed. Note that within the SY6532 is a 128 byte segment (locations A600-A7FF). This is the RAM which is resident on the SY6532 used by SYM-1 as System RAM. Sheet 4 of Figure 4-10 describes each memory location within System RAM in detail; you will need this data if you wish to make use of the capability of the system for modifications to SUPERMON. These modifications may include creating your own commands (as described in Chapter 5) which may be entered as if they were Monitor commands. Other such modifications making use of System RAM locations are described in Chapter 9 of this manual.

Memory locations B000-FF80 may be used by your programs, provided of course you have expanded memory to fill those address locations (see Chapter 8). Note, however, that if you plan to obtain the Synertek Systems 8K BASIC module at some later date, that module will occupy locations C000-DFFF. You should plan your applications programs accordingly. Locations FF80-FFFF are reserved for special use by the system, and should not be used in any of your applications code.

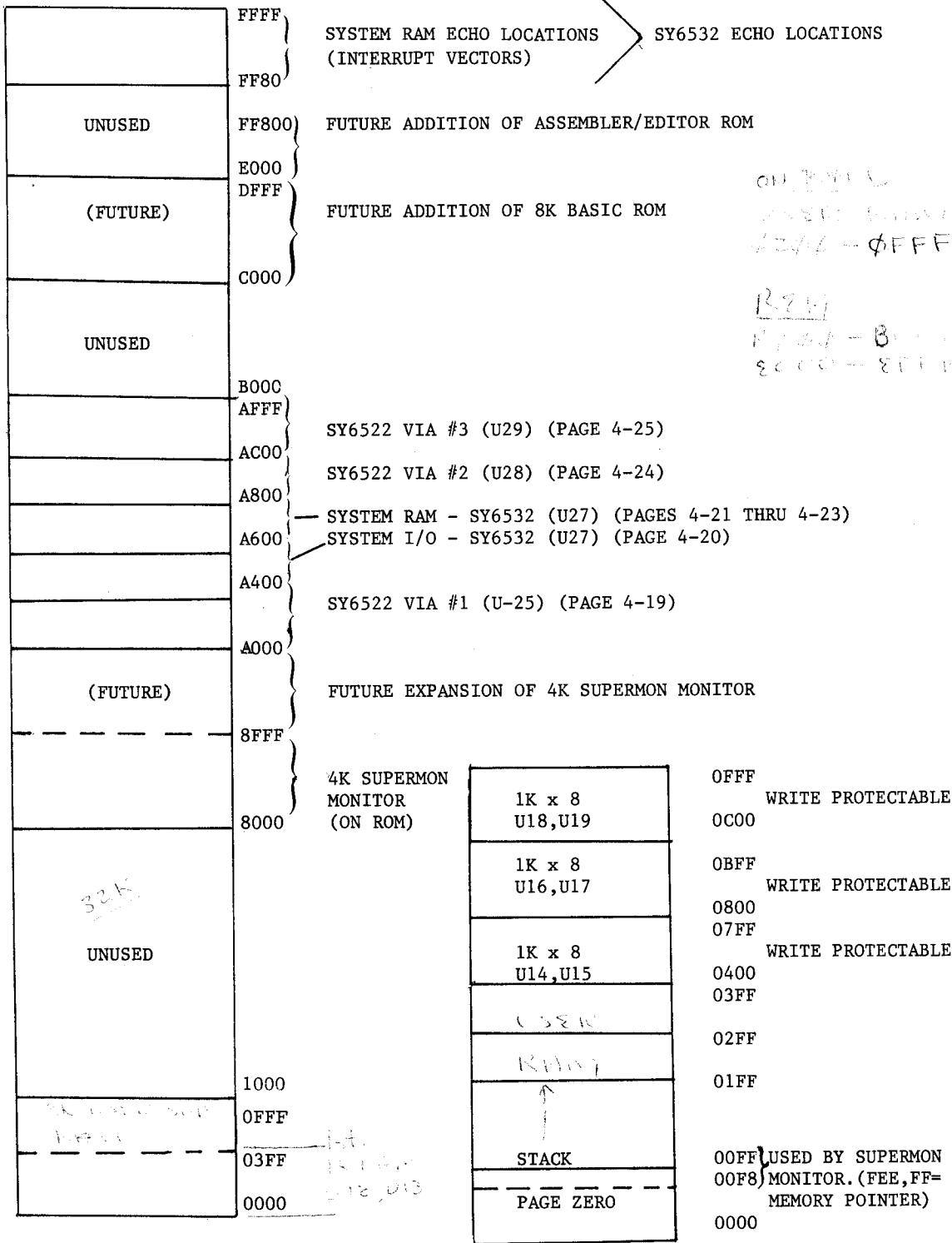


Figure 4-10. STANDARD MEMORY MAP, SYM-1

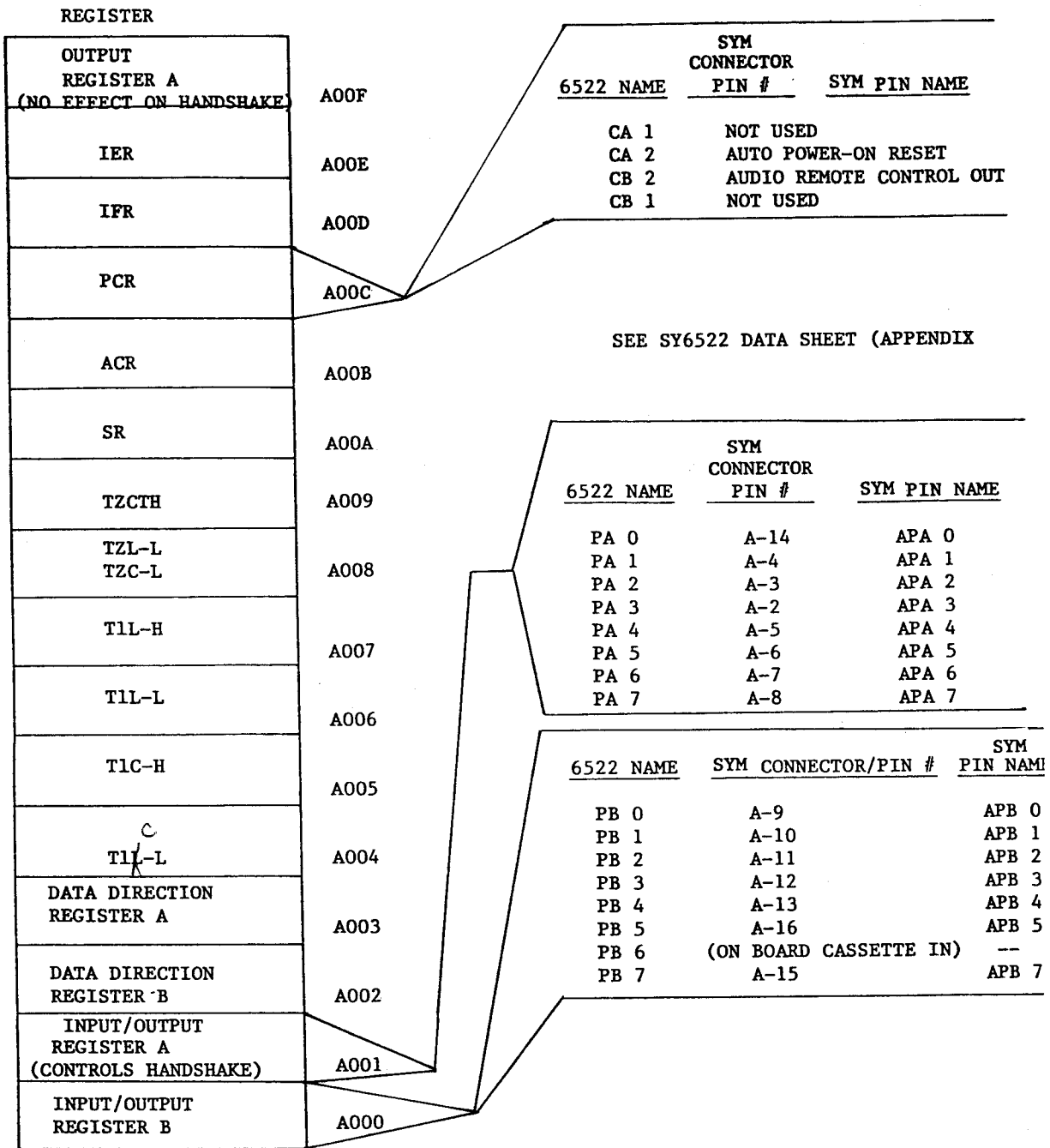


Figure 4-10 (Cont'd). MEMORY MAP FOR SY6522 VIA #1 (DEVICE U25)

TIMER ÷ 1024T	A41F
TIMER ÷ 64T	A41E
TIMER ÷ 8T	A41D
TIMER ÷ 1T	A41C
N/A (NOTE 1)	A41B
N/A	A41A
N/A	
N/A	
WRITE-EDGE DETECT READ-INT FLAGS	A407
WRITE-EDGE DETECT READ-TIMER	A406
WRITE-EDGE DETECT READ-INT FLAGS	A405
WRITE-EDGE DETECT READ-TIMER	A404
DDRB	A403
OUTPUT REGISTER B	A402
DDRA	A401
OUTPUT REGISTER A	A400

NOTES:

- "N/A" INDICATES AREAS OF OVERLAP CAUSED BY SYM-1 SYSTEM DESIGN USING ONLY PARTIAL ADDRESS DECODING. SEE SY6532 DATA SHEET.

SEE SY6532 DATA SHEET

6532 NAME	SYM CONNECTOR/PIN	SYM PIN NAME
PB0	A-Z	KBD ROW 1
PB1	A-X	KBD ROW 2
PB2	A-V	KBD ROW 3
PB3	(ON-BOARD DISPLAY	ENABLE/DIABLE)
PB4	(ON-BOARD CRT OUT)	
PB5	(ON-BOARD TTY OUT)	
PB6	(ON-BOARD TTY IN)	
PB7	(ON-BOARD CRT IN)	

6532 NAME	SYM CONNECTOR/PIN	SYM PIN NAME
PA0	A-21	KBD COL. A
PA1	A-19	KBD COL. B
PA2	A-Y	KBD COL. C
PA3	A-22	KBD COL. D
PA4	A-20	KBD COL. E
PA5	A-18	KBD COL. F
PA6	A-W	KBD COL. G
PA7	A-17	KBD ROW Ø

Figure 4-10 (Cont'd). MEMORY MAP FOR SY6532 (DEVICE U27)

SYMBOL	ADDRESS	DEFAULT VALUE	COMMENTS
IRQVEC	A67F	80	IRQ Vector
	A67E	0F	
RSTVEC	A67D	8B	RESET Vector
	A67C	4A	
NMIVEC	A67B	80	NMI Vector
	A67A	9B	
UIRQVC	A679	80	User IRQ Vector
	A678	29	
UBRKVC	A677	80	User Break Vector
	A676	4A	
TRCVEC	A675	80	Trace Vector
	A674	C0	
EXEVEC	A673	88	'Execute' Vector
	A672	7E	
SCNVEC	A671	89	Display Scan Vector
	A670	06	
	A66F	4C	
URCVEC	A66E	81	Unrecognized Command Vector
	A66D	D1	
	A66C	4C	
	A66B	00	
	A66A	00	
	A669	00	
INSVEC	A668	89	In Status Vector
	A667	6A	
	A666	4C	
OUTVEC	A665	89	Output Vector
	A664	00	
	A663	4C	
INVEC	A662	89	Input Vector
	A661	BE	
	A660	4C	
YR	A65F	00	User Registers
XR	A65E	00	
AR	A65D	00	
FR	A65C	00	
SR	A65B	FF	
PCHR	A65A	8B	
PCLR	A659	4A	
MAXRC	A658	10	
LSTCOM	A657	00	
TV	A656	00	
KSHFL	A655	00	
TOUTFL	A654	B0	

Figure 4-10. SYSTEM RAM MEMORY MAP, SY6532

SYMBOL	ADDRESS	DEFAULT VALUE	COMMENTS
TECHO	A653	80	Terminal Echo (Note 3)
ERCNT	A652	00	Error Count (Note 2)
SDBYT	A651	4C	Baud Rate (Note 1)
PADBIT	A650	01	Number of Paddbits on Carriage Return
PIH	A64F	00	
P1L	A64E	00	
P2H	A64D	00	16-Bit Parameters
P2L	A64C	00	
P3H	A64B	00	
P3L	A64A	00	
PARNR	A649	00	No. of Parameters Entered
	A648	00	
	A647	00	Not Used
	A646	00	
RDIG	A645	3F	Right-most Digit
DISBUF	A644	86	
	A643	6E	
	A642	6D	Display Buffer
	A641	00	
	A640	00	
SCRFB	A63F	00	
			Monitor Scratch Locations SCR0-SCRFB
SCR0	A630	00	
JTABLE	A62F	D0	User Socket P3 (Jump Entry No. 7)
	A62E	00	
	A62D	C8	User Socket P2 (Jump Entry No. 6)
	A62C	00	
	A62B	03	0300 (Jump Entry 5)
	A62A	00	
	A629	02	0200 (Jump Entry 4)
	A628	00	
	A627	00	0000 (Jump Entry 3)
	A626	00	
	A625	8B	NEWDEV (Jump Entry 2) (Note 7)
	A624	64	
	A623	8B	TTY (Jump Entry 1)
	A622	A7	
	A621	C0	BASIC (Jump Entry 0)
	A620	00	
SCPBUF	A61F	--	
			Scope Buffer, No Defaults (32 locations)
	A600	--	

Figure 4-10. SYSTEM RAM MEMORY MAP, SY6532 (Continued)

NOTES - SYSTEM RAM

- | | | BAUD | SDBYT | |
|----|--|--|---|--|
| 1. | BAUD RATE - | 110 | D5 | |
| | | 300 | 4C | |
| | | 600 | 24 | |
| | | 1200 | 10 | |
| | | 2400 | 06 | |
| | | 4800 | 01 | |
| 2. | ERCNT - | Used by LD P, FILL, B MOV | | |
| | | Count of bytes which failed to write correctly
And invalid checksums up to \$FF | | |
| 3. | TECHO - | bit 7 - ECHO/NO ECHO | | |
| | | bit 6 - OUTPUT/NO OUTPUT | This bit is toggled everytime
a control O (ASCII 0F) is
encountered in the input
stream. | |
| 4. | TOUTFL - | bit 7 = enable CRT IN | | |
| | | bit 6 = enable TTY IN | | |
| | | bit 5 = enable TTY OUT | | |
| | | bit 4 = enable CRT OUT | | |
| 5. | TV - TRACE VELOCITY | 00 = SINGLE STEP | | |
| | | non-zero - PRINT PROGRAM COUNTER AND ACCUMU-
LATOR
THEN PAUSE AND RESUME | | |
| | | PAUSE DEPENDS ON TV
(TRY TV = 09) | | |
| 6. | USER PC - DEFAULT = 8B4A = RESET | | | |
| 7. | NEW DEV TO CHANGE BAUD RATE ON RS-232 INTERFACE. | | | |

Figure 4-10. SYSTEM RAM MEMORY MAP, SY6532 (Continued)

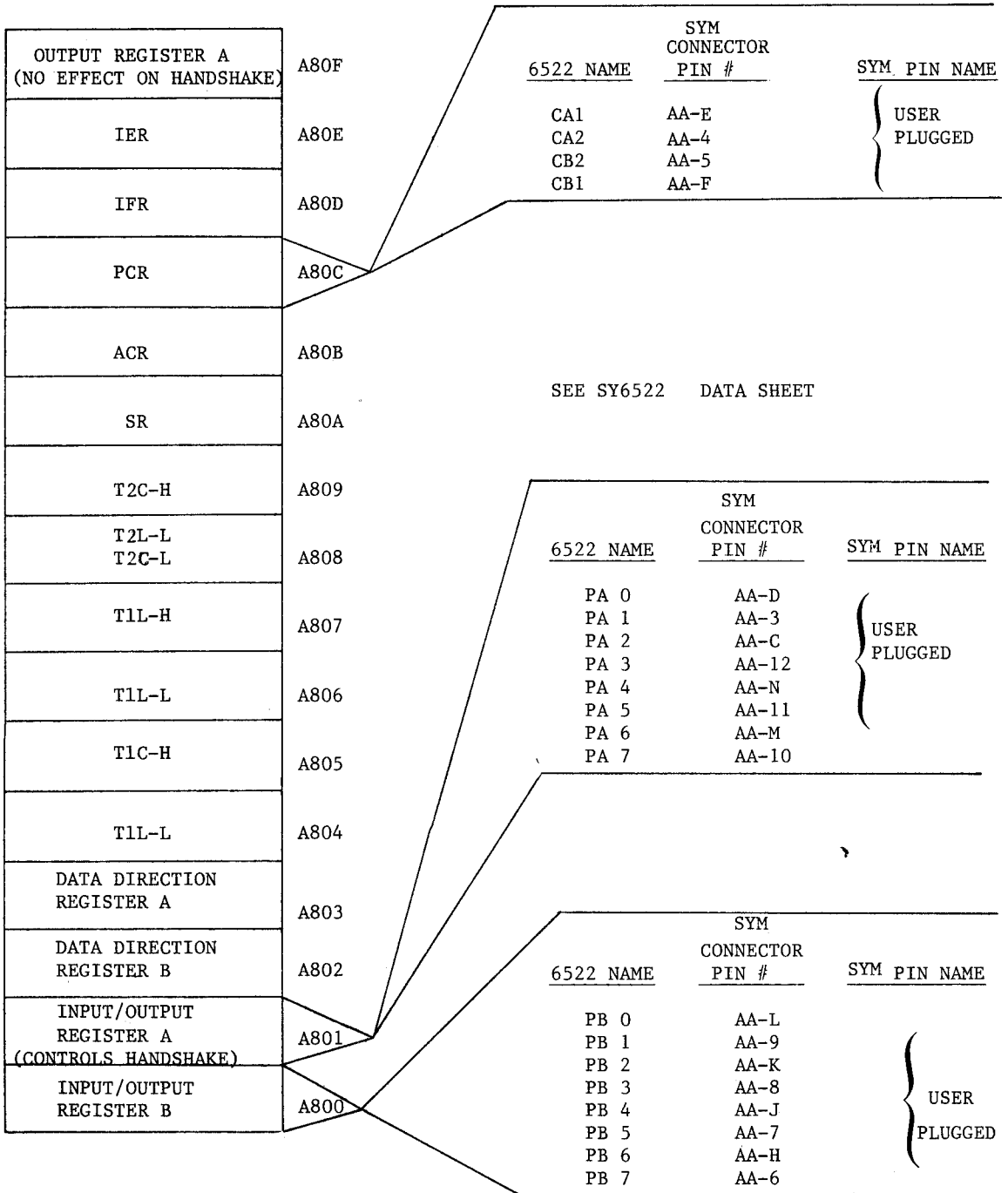


Figure 4-10. MEMORY MAP FOR SY6522 VIA #2 (DEVICE U28-USER SUPPLIED)
(Continued)

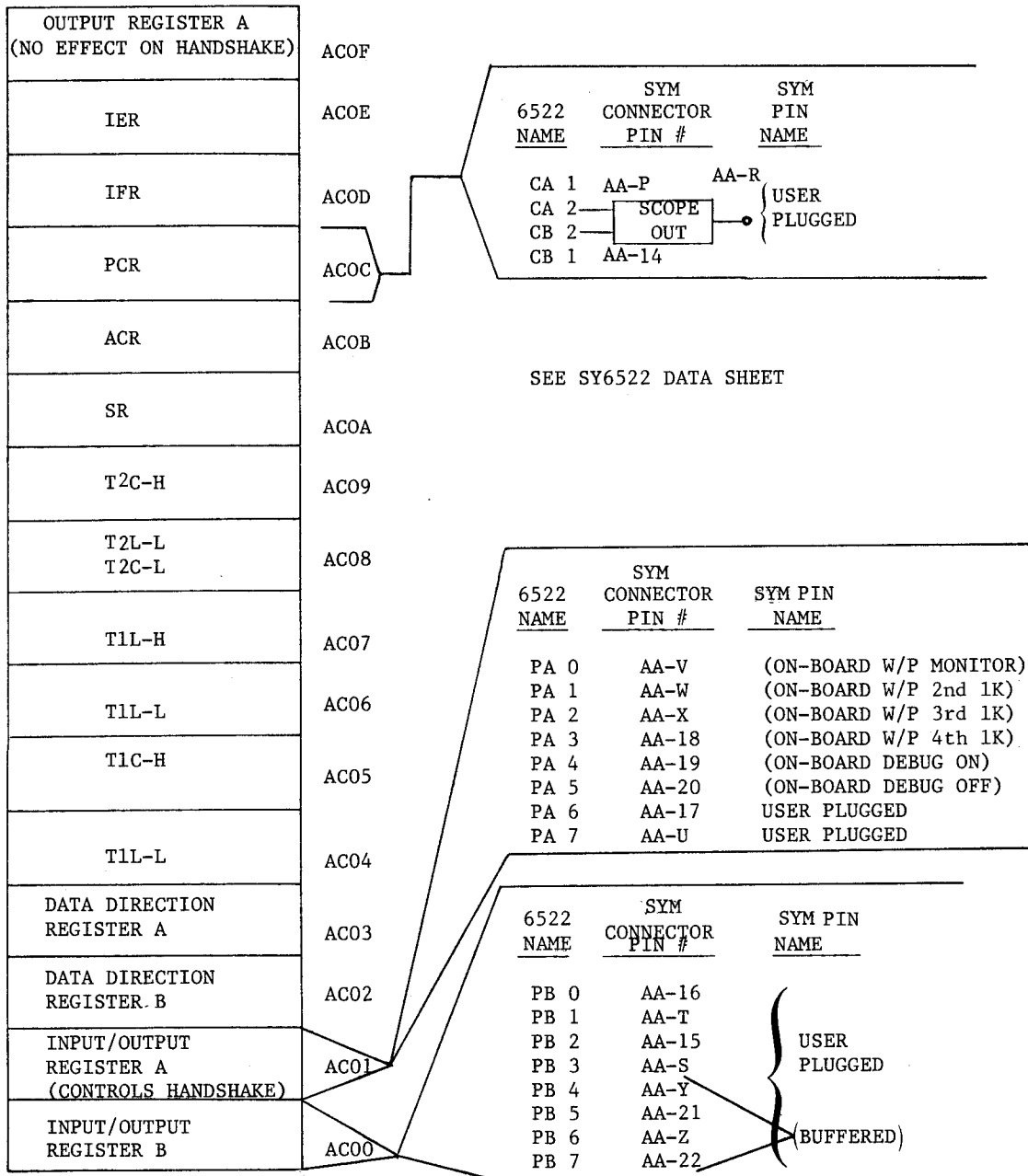


Figure 4-10. MEMORY MAP FOR SY6522 VIA #3 (DEVICE U29) (Continued)

4.2.2 Address Decoding Jumper Options

Four sockets (labeled P0-P3 on the board) for ROM PROM or EPROM are provided with your SYM-1. Each socket may contain any of four different types of Read-Only Memory devices, up to a total of 24K. The four acceptable devices are the SY2716, the SY2316B, the SY2332 and the SY2364. Each device is slightly different, but they are all read-only memories. They may appear in any combination on a SYM-1 microcomputer system, provided their total capacity does not exceed 24K. But since the devices have different memory capacities, it is necessary to alter normal addressing to accomodate the specific devices selected.

To serve this purpose, we have provided a set of jumpers, located just to the left of the center of the board and directly under the two 74LS145's. The schematic in Figure 4-11 illustrates each useful jumper combination and Table 4-3 outlines them in greater detail. (Note that Table 4-3 contains other jumpers available on the SYM-1, not all of which pertain to memory use.) The broken lines in Figure 4-11 indicate the jumpers installed at the factory. Note, for example, that the first PROM socket, labeled PO (device U20) is associated with the address group beginning with 8000. (It it were necessary to change this configuration, you would remove the connection from Pin 1 of the lower address decoder (74LS145) to jumper connection 7-J so that it becomes associated with a jumper combination which addresses the device you wish to address. Table 4-3a will assist you in configuring your selection of ROM correctly.

Near the bottom of the board below the speaker unit are four jumpers labeled JJ, KK, LL and MM. These enable Write Protection on the RAM in the four 1K blocks available on the board. Jumper 45-MM is factory-installed, enabling Write Protection on System RAM (the 128-byte block in the SY6532). As you add RAM later, or to Write Protect any of the on-board RAM aside from System RAM, you must connect the appropriate jumpers to enable the Write Protect function on the desired memory locations. RAM may be enabled for Write Protect in 1K blocks.

These jumpers offer you flexibility to adapt the SYM-1 board to your particular application. The jumpers will give you the ability to do the following:

- Use 2K, 4K, or 8K byte ROM or PROM in each 24 pin socket.
- Complete flexibility in selecting user PROM addressing.
- Ability to auto power-on to any of the ROM/PROM sockets.
- Write protect expansion RAM.

4.2.3 Off-Board Expandability

SYM-1 is expandable, on-board, up to 24K bytes of EPROM/ROM memory and 4K bytes of RAM, with 8K bytes of address space allocated to the on-board I/O devices. Further expansion of any combination of ROM, PROM, RAM or I/O can be implemented by using SYM's "E" (Expansion) connector to attach an auxiliary board containing the additional devices. Total expandability is limited only by the amount of addressing capability of the SY6502 CPU, i.e., 64K bytes.

Detailed instructions for implementing off-board expansion are contained in Chapter 8, "System Expansion."

4.2.4 I/O Buffers

Your SYM-1 board comes to you equipped with four specially configured I/O buffer circuits. (See Figure 4-5.) The circuit configuration and PC Board layout allow the user to configure these buffers in many ways.

EPROM/ROM JUMPER LOCATIONS AND USAGES

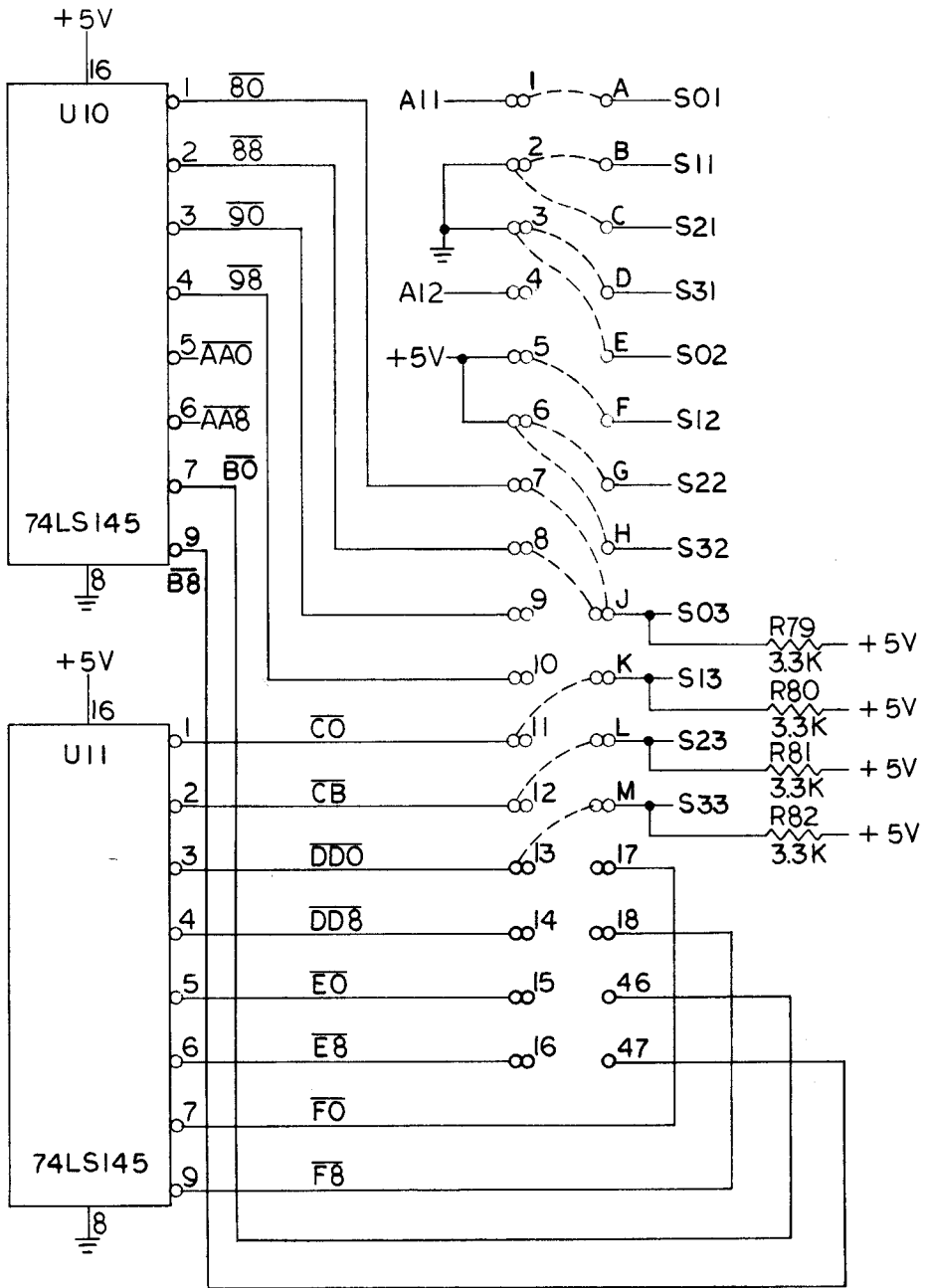


Figure 4-11. MEMORY ADDRESS DECODING JUMPER OPTIONS

Table 4-3. SYM-1 JUMPERS

JUMPER LETTER	POSITION NUMBER	DESCRIPTION
A,B,C,D E,F,G,H	1,2,3 4,5,6	PROM/ROM Device Select (See Table 4-3a)
J,K,L,M	7,8,9,10,11,12 13,14,15,16,17,18	ADDRESS SELECT (See Table 4-3b)
N	19 (1) 20	Auto Power-On to U20 (2) Disable Auto Power-On to U20
P	19 (1) 20	Auto Power-On to U21 (2) Disable Auto Power-On to U21
R	19 (1) 20	Auto Power-On to U22 (2) Disable Auto Power-On to U22
S	19 (1) 20	Auto Power-On to U23 (2) Disable Auto Power-On to U23
T	21	Enables Monitor RAM at A0xx (3)
U	22	Enables Monitor RAM at F8xx (3)
V	23	RCN-1 to connector A-N
W	24	Enables Software Debug ON
X	25	Enables Software Debug OFF
Y	26	DBOUT to connector E-17
BB	31	Connects TTY IN to PB6 @A402
CC	32	Connects CRT IN to PB7 @A402
DD	33 34	To run TTY @ +5V and GND To run TTY @ +5V and -Vn (4)
EE	35 36	To run TTY @ +5V and -Vn (4) To run TTY @ +5V and GND
FF	37 38	To run TTY @ +5V and GND To run TTY @ +5V and -Vn (4)
GG	39 40	To run RS232 @+5V and GND To run RS232 @+5V and -Vn (5)
HH	41	Decode line $\overline{T8}$ to connector A-K
JJ	42	Enable software write protect 3K block
KK	43	Enable software write protect 2K block
LL	44	Enable software write protect 1K block
MM	45	Enable software write protect monitor RAM

Table 4-3. SYM-1 JUMPERS (Continued)

NOTES

- 1 Only one socket (U20, U21, U22, U23) should be jumpered to position 19 at one time. The remaining three sockets should be jumpered to position 20.
- 2 See software consideration of auto power-on in Chapter 9.
- 3 One or both can be connected at the same time.
- 4 These positions require a recommended -9V to -15V supply applied to the power connector pin E. R107 should be adjusted (removed and replaced) for your proper current loop requirements.

Example: (for 60ma current loops and $V_n = -10V$)

- a. Connect DD to 33
 EE to 35
 FF to 38
- b. $R_{107} = \frac{V_n - 5V}{I} = \frac{(10 - 5)}{60 \text{ ma}} = 100$

$R_{107} = 300\Omega$ (as installed) for 20 ma current loop and $V_n = -10V$

- 5 For RS232 devices using other than LM1489 or equivalent input receivers (i.e., probably terminals older than ten years) then GG should be strapped to 40 and a -9V to -15V supply applied to the power connector pin E.

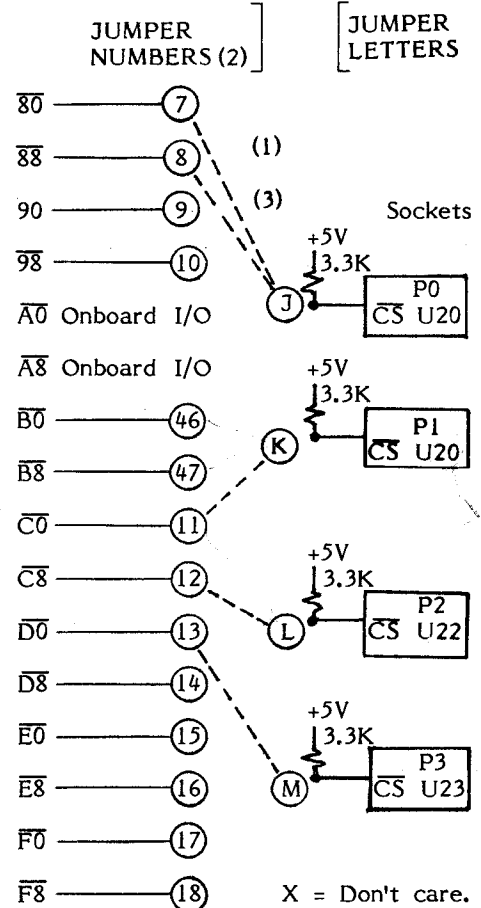
Table 4-3a. SYM-1 PROM/ROM DEVICE SELECT

SOCKET LOCATION	SOCKET NAME	MEMORY DEVICE	JUMPER LETTER	POSITION NUMBER
U20	P0	2716	A E	2 or 3 5 or 6
U20	PO	2316	A E	2 or 3 2 or 3
U20	PO	2332	A E	1 2 or 3
U20	PO	2364	A E	1 4
U21	P1	2716	B F	2 or 3 5 or 6
U21	P1	2316	B F	2 or 3 2 or 3
U21	P1	2332	B F	1 2 or 3
U21	P1	2364	B F	1 4
U22	P2	2716	C G	2 or 3 5 or 6
U22	P2	2316	C G	2 or 3 5 or 6
U22	P2	2332	C G	1 2 or 3
U22	P2	2364	C G	1 4
U23	P3	2716	D H	2 or 3 5 or 6
U23	P3	2316	D H	2 or 3 2 or 3
U23	P3	2332	D H	1 2 or 3
U23	P3	2364	D H	1 4

NOTE: 2716 devices assumes Synertek, Intel or equivalent pin outs.

Table 4-3b. SYM-1 ADDRESS SELECT

		High Order SYM-1 Address lines							
		A 15	A 14	A 13	A 12	A 11	A 10	A 9	A 8
2K Blocks		1	0	0	0	0	X	X	X
		1	0	0	0	1	X	X	X
		1	0	0	1	0	X	X	X
		1	0	0	1	1	X	X	X
		1	0	1	0	0	X	X	X
		1	0	1	0	1	X	X	X
		1	0	1	1	0	X	X	X
		1	0	1	1	1	X	X	X
		1	1	0	0	0	X	X	X
		1	1	0	0	1	X	X	X
		1	1	0	1	0	X	X	X
		1	1	0	1	1	X	X	X
		1	1	1	0	0	X	X	X
		1	1	1	0	1	X	X	X
		1	1	1	1	0	X	X	X
		1	1	1	1	1	X	X	X



NOTES:

- (1) Broken lines indicate delivered version of jumpers.
- (2) Each jumper number represents a 2K address space decode.
- (3) Jumper numbers can be wire or'd to increase the address space of the CS on any socket (i.e., decoder is open collector.)

The single-stage circuit consists of a transistor and "circuit positions" for the user to add resistors, capacitors and diodes in any of many positions. This flexibility allows inverting and noninverting stages, input-resistive or capacitive coupling and much more. The user should refer to the schematic and P.C. layout in Figure 4-5a in order to completely understand this circuit.

4.3 SOFTWARE DESCRIPTION

Software on your SYM-1 microcomputer must be discussed from two perspectives. First, the SYM SUPERMON Monitor software which handles keyboard display, interrupts and other requirements for system operation must be understood. We will discuss this subject in succeeding sections. The second aspect of software is the microprocessor assembly language with which you will write your applications programs. A brief introduction to the 6502 instruction set is included later in this chapter.

In this chapter, we discuss the SYM-1 command language syntax only briefly; Chapter 5 contains a detailed discussion of each of the instructions in the set. Chapter 6 will help you through the process of using these and the 6502 language in applications programming by describing three selected sample programs.

4.3.1 Monitor Description - General

Figure 9-1 illustrates the general system flow of the SYM-1 SUPERMON Monitor software. As you can tell, the main program is simple and straightforward. Its purpose is to direct processing to the appropriate I/O or command routine, and for this reason it is thought of as a "driver"--it "drives" or directs the software.

The means by which the Monitor handles the direction of software flow is one of the unique features of the SYM-1 system and is worth a brief explanation at this point. We will discuss the subject in greater detail in Chapters 5 and 8.

When the SUPERMON Monitor receives a one- or two-character command from the on-board keyboard, TTY or CRT terminal, it then accepts 0-3 parameters associated with the command. The string of command and parameters (if any) is terminated by a carriage return. It is noteworthy that each instruction which may be entered by use of a single key on the on-board keyboard may also be entered with a similar command from a terminal.

Upon receiving a command and up to three parameters, SUPERMON checks to determine whether the command and its associated number of parameters is a defined combination. If so, the command is executed. Otherwise, an error message is printed or displayed showing the ASCII representation of the command which was not recognized.

For example, a "GO" with one parameter causes the program to pass control to the program stored at the memory location indicated by the parameter. Thus, a "GO" followed by "0200" instructs the system to begin executing the instructions stored starting at memory location 0200. A "GO" with no parameters (i.e., "GO" followed by a Carriage Return) will cause program execution to resume at the address stored in the "pseudo Program Counter" (memory locations A659 and A65A).

However, a "GO" command with two or three parameters is not a defined command in SUPERMON, and will result in a display or message of "Er 47". The "47" is the ASCII representation for a "G" and is designed to help you define the instruction or command which was not recognized.

The monitor is designed so that you can extend the range of defined command-parameter combinations by "intercepting" the error routine before it executes and designing your own series of pointers to memory locations to be associated with specific commands. Thus, you might wish to define a "GET" routine which could be entered at the keyboard with a "GO" and two parameters. You will learn how to do this in Chapter 9.

4.3.2 Software Interfacing

The SYM-1 Monitor is structured to be device-independent. Special requirements for device handling are "outside" the Monitor's central control routines, which isolate them from the Monitor's standard functions. Also, as we have indicated, SYM-1 commands may be entered from any device. It is not necessary to use the on-board keyboard to do so. This means you need not concern yourself with the details of I/O; they are handled internally.

4.3.3 6502 Microprocessor Assembly Language Syntax

The SY6502 microprocessor used on your SYM-1 is an eight-bit CPU, which means that eight bits of data are transferred or operated upon at a time. It has a usable set of 56 instructions used with 13 addressing modes. Instructions are divided into three groups.

Group One instructions, of which there are eight, are those which have the greatest addressing flexibility and are therefore the most general-purpose. These include Add With Carry (ADC), the logical AND (AND), Compare (CMP), the logical Exclusive OR (EOR), Load A (LDA), logical OR with Accumulator (ORA), Subtract With Carry (SBC) and Store Accumulator (STA).

Group Two instructions include those which are used to read and write data or to modify the contents of registers and memory locations.

The remaining 39 instructions in the SY6502 instruction set are Group Three instructions which operate with the X and Y registers and control branching within the program. You'll learn more about these instructions in the next section. More detailed information can be found in the Synertek Programming Manual for the SY6500 family.

An assembly language instruction consists of the following possible parts:

Label	-	Optional. Used to allow branching to the line containing the label and for certain addressing situations.
Mnemonic	-	Required. The mnemonic is a three-character abbreviation which represents the instruction to be carried out. Thus the mnemonic to store the contents of the accumulator in a specific memory location is "STA" (<u>ST</u> ore <u>Acc</u> umulator).
Operand(s)	-	Some may be required, or none may be allowed. This depends entirely upon the instruction itself and may be determined from the later discussion.
Comment	-	Optional. Separated from last operand (or from the command mnemonic where no operand is used) by at least one blank. These words are ignored by the assembler program but are included only to allow the programmer and others to understand the program.

The SY6502 allows 13 modes of addressing, which makes it one of the most flexible CPUs on the market. Table 4-4 describes these addressing modes briefly. Details may be found in the Synertek Programming Manual for the SY6500 family.

You will note that some of the addressing modes make use of Page Zero, a concept introduced briefly earlier in this chapter. Page Zero addressing modes are designed to reduce memory requirements and provide faster execution. When the SY6502 processor encounters an instruction using Page Zero addressing, it assumes the high-order byte of the address to be 00, which means you need not define that byte in your program. This technique is particularly useful in dealing with working registers and intermediate values. As the Memory Map (Figure 4-10, Sheet 1) shows, memory locations 0000-00FF make up Page Zero.

4.3.4 SY6502 Instruction Set

Table 4-5 provides you with a summary of the SY6502 instruction set. Each instruction is shown with its mnemonic, a brief description of the function(s) it carries out, and the corresponding "op code" for each of its valid addressing modes. The "op code" is the hexadecimal representation of the instruction and is what will appear when the instruction byte is displayed by SUPERMON.

When creating applications programs for your SYM-1, you will typically write them in the SY6502 assembly language mnemonic structure shown in Table 4-5, then perform a "hand assembly" to generate the "op codes" and operands. The process of hand assembling code is explained in greater detail in Section 6.2.2. You will be referring to this table--or to your SYM Reference Card--quite frequently during programming.

To understand some of the instructions, you should be aware of six "status register" flags which are set and reset by the results of program execution. Generally, these flags and their functions are:

- N** - Set to "1" by CPU when the result of the previous instruction is negative
- Z** - Set to "1" by CPU when the result of the previous instruction is zero
- C** - Set to "1" by CPU when the previous instruction results in an arithmetic "carry"
Set to "0" by CPU when the previous instruction results in "borrow" (subtract)
Also modified by shift, rotate and compare instructions.
- I** - When "1," IRQ to the CPU is held pending
- D** - When "1," CPU arithmetic is operates in decimal mode
- V** - Set to "1" by CPU when the result of the previous instruction causes an arithmetic overflow

The Synertek Programming Manual discusses this subject in greater detail.

Table 4-4. SUMMARY OF SY6502 CPU ADDRESSING MODES

SY6502 INSTRUCTION SET SUMMARY

Addressing Modes

Mode	Description	# Bytes	Example
IMPLIED	The operation performed is implied by the instruction.	1*	TAX AA Code for transfer A to X
ACCUMULATOR	The operation is performed upon the A register.	1	ROL A 2A Code for rotate left A
IMMEDIATE	The data accessed is in the second byte of the instruction.	2	LDA #3 A9 Code for load A immediate 03 Constant to use
ZERO PAGE	The address within page zero of the data accessed is in the second byte of the instruction.	2	LDA Z A5 Code for load A zero page 75 Low part of address on page zero
ZERO PAGE INDEXED BY X	The second byte of the instruction plus the contents of the X register (without carry) is the address on page zero of the data accessed.	2	LDA Z,X B5 Code for zero page indexed by X 75 Base address on page zero
ZERO PAGE INDEXED BY Y	The second byte of the instruction plus the contents of the Y register (without carry) is the address on page zero of the data accessed.	2	LDX Z,Y B6 Code for zero page indexed by Y 75 Base address on page zero
ABSOLUTE	The address of the data accessed is in the second and third bytes of the instruction.	3	LDA L AD Code for load A absolute 47 Low part of address 02 High part of address

*Except BRK which is two bytes when not using SUPERMON or when in DEBUG mode.

Table 4-4. SUMMARY OF SY6502 CPU ADDRESSING MODES (Continued)

Mode	Description	# Bytes	Example
INDEXED BY X	The address in the second and third bytes of the instruction, plus the contents of the X register is the address of the data accessed.	3	LDA L,X BD Code for load A indexed by X 47 Low part of base address 02 High part of base address
INDEXED BY Y	The address in the second and third bytes of the instruction, plus the contents of the Y register is the address of the data accessed.	3	LDA L,Y B9 Code for load A indexed by Y 47 Low part of base address 02 High part of base address
INDIRECT PRE-INDEXED BY X	The second byte of the instruction plus the contents of the X register (without carry) is the address on page zero of the two-byte address of the data accessed.	2	LDA (Z,X) A1 Code for load A, indirect pre-indexed by X 75 Base address on page zero
INDIRECT POST-INDEXED BY Y	The contents of the page zero two-byte address specified by the second byte in the instruction, plus the contents of the Y register is the address of the data accessed.	2	LDA (Z),Y B1 Code for load A, indirect post-indexed by Y 75 Base address of page zero
RELATIVE BRANCH	The second byte of the instruction contains the offset (in bytes) to branch address.	2	BEQ IOC F0 Code for branch if equal 07 Seven bytes ahead
INDIRECT JUMP	The address in the second and third bytes of the instruction is the address of the address to which the jump is made.	3	JMP (IOC) 6C Code for jump indirect 47 Low part of indirect address 02 High part of indirect address

Table 4-5. SY6502 CPU Instruction Set Summary

6502 INSTRUCTION SET SUMMARY		Mode										Condition Codes									
Instr	Description	IMP	ACC	IMM	Z	Z', X'	Z', Y'	ABS	L, X	L, Y	(Z, X)	(Z, Y)	REL	IND	N	Z	C	I	D	V	B
ADC	$A + M + C \rightarrow A, C$ Add memory to accumulator with carry			69	65	75	6D	7D	79	61	71				*	*	-	-	-	*	-
AND	$A \wedge M \rightarrow A$ "AND" memory with accumulator			29	25	35	2D	3D	39	21	31				*	*	-	-	-	-	-
ASL	$C \leftarrow [7 6 5 4 3 2 1 0] \leftarrow 0$ Shift left one bit (memory or accumulator)		0A		06	16	0E	1E							*	*	-	-	-	-	-
BCC	Branch on $C = 0$ Branch on carry clear												90		-	-	-	-	-	-	-
BCS	Branch on $C = 1$ Branch on carry set												E0		-	-	-	-	-	-	-
BEQ	Branch on $Z = 1$ Branch on result zero												F0		-	-	-	-	-	-	-
BIT	$A \wedge M, M_7 \rightarrow N, M_6 \rightarrow V$ Test bits in memory with accumulator			24			2C								M7	*	-	-	-	-	M6
BMI	Branch on $N = 1$ Branch on result minus												30		-	-	-	-	-	-	-
BNE	Branch on $Z = 0$ Branch on result not zero												D0		-	-	-	-	-	-	-
BPL	Branch on $N = 0$ Branch on result plus												10		-	-	-	-	-	-	-
BRK	Forced interrupt PC $\leftarrow P +$ Force break	00													-	-	-	-	-	-	1

Table 4-5. SY6502 CPU Instruction Set Summary (Continued)

6502 INSTRUCTION SET SUMMARY		Mode										Condition Codes										
Instr	Description	IMP	ACC	IMM	Z	Z,X	Z,Y	ABS	L,X	L,Y	(Z,X)	(Z,Y)	REL	IND	N	Z	C	I	D	V	B	
BVC	Branch on V = 0 Branch on overflow clear												50		-	-	-	-	-	-	-	-
BVS	Branch on V = 1 Branch on overflow set												70		-	-	-	-	-	-	-	-
CLC	0 → C Clear carry flag	18													-	-	0	-	-	-	-	
CLD	0 → D Clear decimal mode flag	D8													-	-	-	-	0	-	-	
CLI	0 → I Clear interrupt disable flag	58													-	-	-	-	0	-	-	
CLV	0 → V Clear overflow flag	B8													-	-	-	-	-	0	-	
CMP	A - M Compare memory and accumulator			C9	C5	D5		CD	DD	D9	Cl	Dl			*	*	*	-	-	-	-	
CPX	X - M Compare memory and index X			E0	E4			EC							*	*	*	-	-	-	-	
CPY	Y - M Compare memory and index Y			C0	C4			CC							*	*	*	-	-	-	-	
DEC	M - 1 → M Decrement memory by one				C6	D6		CE	DE						*	*	-	-	-	-	-	
DEX	X - 1 → X Decrement index X by one	CA													*	*	-	-	-	-	-	

Table 4-5. SY6502 CPU Instruction Set Summary (Continued)

6502 INSTRUCTION SET SUMMARY

Instr	Description	Mode											Condition Codes																
		IMP	ACC	IMM	Z	Z,X	Z,Y	ABS	L,X	L,Y	(X,Z)	(Y,Z)	REL	IND	N	Z	C	I	D	V	B								
LSR	0 → <table border="1" style="display: inline-table; vertical-align: middle;"> <tr><td>7</td><td>6</td><td>5</td><td>4</td><td>3</td><td>2</td><td>1</td><td>0</td></tr> </table> → C Shift right one bit (memory or accumulator)	7	6	5	4	3	2	1	0	4A	46	56	4E	5E								0	*	*	-	-	-	-	-
7	6	5	4	3	2	1	0																						
NOP	No Operation	EA																											
ORA	A V M → A "OR" memory with accumulator		09	05	15	0D	1D	19	01	11					*	*	-	-	-	-	-								
PHA	A ↓ Push accumulator on stack	48																											
PHP	P ↓ Push processor status on stack	08																			1								
PLA	A ↑ Pull accumulator from stack	68													*	*	-	-	-	-	-								
PLP	P ↑ Pull processor status from stack	28																			From Stack								
ROL	<table border="1" style="display: inline-table; vertical-align: middle;"> <tr><td>7</td><td>6</td><td>5</td><td>4</td><td>3</td><td>2</td><td>1</td><td>0</td></tr> </table> ← M or A → Rotate one bit left (memory or accumulator)	7	6	5	4	3	2	1	0	2A	26	36	2E	3E								*	*	*	-	-	-	-	-
7	6	5	4	3	2	1	0																						
ROR	Rotate One Bit Right (Memory or Accumulator)	6A	66	76	6E	7E									*	*	*	-	-	-	-								
RTI	P ↑ PC ↑ Return from interrupt	40																			From Stack								
RTS	PC ↑, PC + 1 → PC Return from subroutine	60																			From Stack								

Table 4-5. SY6502 CPU Instruction Set Summary (Continued)

6502 INSTRUCTION SET SUMMARY		Mode										Condition Codes									
Instr	Description	IMP	ACC	IMM	Z	N,X	Z,Y	ABS	L,X	L,Y	(X,Z)	(Z,X)	RET	IND	N	Z	C	I	D	V	B
SBC	A ← M - \overline{C} → A Note: \overline{C} = Borrow Subtract memory from accumulator with borrow		E9	E5	F5		ED	FD	F9	EL	F1				*	*	*	-	-	*	-
SEC	1 → C Set carry flag	38													-	1	-	-	-	-	-
SED	1 → D Set decimal mode flag	F8													-	-	-	1	-	-	-
SEI	1 → I Set interrupt disable flag	78													-	-	-	1	-	-	-
STA	A → M Store accumulator in memory				85	95	8D	9D	99	81	91				-	-	-	-	-	-	-
STX	X → M Store index X in memory			86		96	8E								-	-	-	-	-	-	-
STY	Y → M Store index Y in memory			84	94	8C									-	-	-	-	-	-	-
TAX	A → X Transfer accumulator to index X	AA													*	-	-	-	-	-	-
TAY	A → Y Transfer accumulator to index Y	A8													*	-	-	-	-	-	-
TSX	S → X Transfer stack pointer to index X	BA													*	-	-	-	-	-	-

Table 4-5. SY6502 CPU Instruction Set Summary (Continued)

6502 INSTRUCTION SET SUMMARY		Mode											Condition Codes									
Instr	Description	IMP	ACC	IMM	Z	Z,X	Z,Y	ABS	L,X	L,Y	(Z,X)	(Z,Y)	REL	IND	N	Z	C	I	D	V	B	
TXA	X → A Transfer index X to accumulator	8A													*	*	-	-	-	-	-	-
TXS	X → S Transfer index X to stack pointer	9A													-	-	-	-	-	-	-	-
TYA	Y → A Transfer index Y to accumulator	98													*	*	-	-	-	-	-	-

CHAPTER 5

OPERATING THE SYM

In this chapter you will learn how to operate your SYM-1. The keyboard functions are described, formation of monitor commands is discussed, and procedures for using an audio cassette, TTY or CRT are explained.

As you operate your SYM-1, you will be dealing with the system monitor, SUPERMON, which is a tool for entering, debugging and controlling your 6502 programs. The monitor also provides a wealth of software resources (notably subroutines and tables) which are available to your applications programs as they run on the SYM-1 system.

SUPERMON is a 4K-byte program which is stored on a single ROM chip located at addresses 8000-8FFF, as you learned in Chapter 4. It also uses locations 00F8-00FF for special purposes and special locations called "System RAM" located at addresses A600-A7FF. These usages were outlined in detail in Chapter 4 and in the Memory Map.

Operationally, SUPERMON gets commands, parameters and data from its input channels (the HEX Keyboard, HKB; a teletype, TTY; a CRT terminal or RAM memory and others) and, based on this input, performs internal manipulations and various outputs (to the on-board LED display, TTY or CRT terminal screen or other peripheral devices).

5.1 KEYBOARD LAYOUT

The SYM-1 keyboard (see Figure 5-1) consists of 28 color-coded dual-function keys. The characters and functions on the lower half of the keys are entered by pressing the keys directly. To enter the functions shown in the upper halves of the keys, press SHIFT before you press the key you wish to enter. Remove your finger from SHIFT before pressing the second key. Very little pressure is necessary to actuate a key, and except for DEBUG, you will hear an audible tone when the computer senses that a key has been pressed. RST will cause a beep after a short delay.

The functions included on the SYM-1 provide you with a formidable array of programming tools. You can examine and modify the contents of memory locations and CPU registers, deposit binary or ASCII data in memory, move blocks of data from one area of memory to another, search memory for a specific byte, and fill selected memory locations with a specified data byte. You can also store a double byte of data with a single command, display the two's complement of a number, or compute an address displacement.

The RST, DEBUG ON and DEBUG OFF keys do not transmit any characters to the monitor, but perform the functions indicated by their names directly using hardware logic.

5.2 SYM COMMAND SYNTAX

As we have indicated earlier, each SYM-1 command entered from the on-board keyboard or other device may have from 0-3 parameters associated with it. Each command, with its string of parameters, is terminated by a "CR" (on the HKB) or a carriage return on a terminal device.

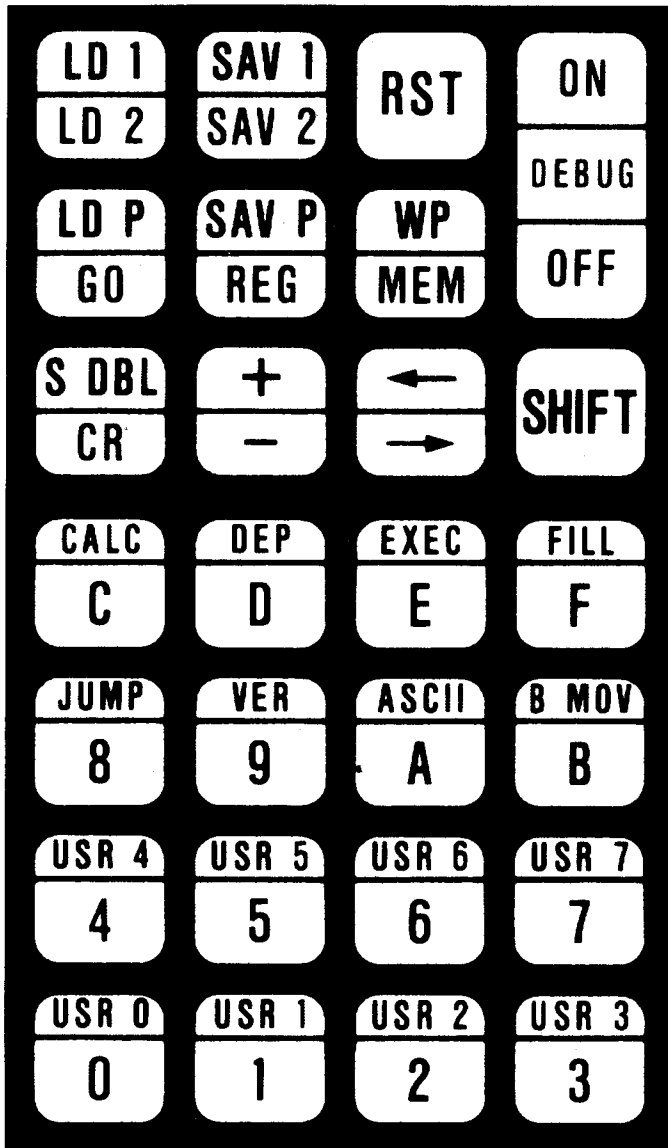


Figure 5-1. SYM-1 KEYBOARD

Table 5-1 summarizes the SYM-1 command set. The first column indicates the command, in both HKB and terminal format. The values (1), (2), and (3) refer to the values of the first, second, and third parameters entered. The term "old" is used to mean the memory location most recently referenced by any of the following commands: M, D, V, B, F, SD, S1, S2, SP, L1, L2, LP. All of these commands use locations 00FE and 00FF as an indirect pointer to memory; where a reference to "old" (or (OLD) in some cases) occurs, the former value remains in the memory pointer locations 00FE-00FF.

Note that in the second column of Table 5-1 we have provided you with the ASCII code for each instruction. Several of the commands do not have associated ASCII codes and use instead a computed "hash code." Hash codes are marked with an asterisk. You need not concern yourself with the means by which the hash code is determined, but you should note that SYM will display these values when the commands are entered with an incorrect syntax, i.e., if you make an error when entering these commands.

Table 5-2 provides you with a brief summary of the additional keys found on the on-board keyboard of the SYM-1. These are operational and special keys which do not generally have parameters associated with them, with the exception of the special user-function keys.

In the discussion of each monitor command which follows, the same basic format is followed. First, the appropriate segment of Table 5-1 is reproduced, for easy reference. Next, the command is described in some detail. Examples are used where they will make understanding the monitor command easier.

Because it is believed that most users of the SYM-1 will ultimately use a TTY to enter and obtain printouts of instruction strings, the remainder of Chapter 5 is designed to use the TTY keyboard function designations rather than those of the on-board keyboard. Remember, though, that both keyboards are functionally the same as far as SUPERMON is concerned. For this reason, we are also using a comma as a delimiter in the command string; the minus sign on the on-board keyboard (or, for that matter, on the TTY or CRT keyboard) may also be used for this purpose.

The examples provided were entered from a terminal device. When entering commands from the HKB, remember to use the (-) key instead of a comma to delimit parameters.

Table 5-1. SYM-1 COMMAND SUMMARY

Command	Code	Number of Associated Parameters			
		0	1	2	3
MEM M	4D	Memory Examine and modify, begin at (OLD)	Memory Examine and modify, begin at (1)	Memory Search for byte (1), in locations (OLD) - (2)	Memory Search for byte (1), in locations (2) - (3)
REG R	52	Examine and modify user registers PC, S,F,A,X,Y			
GO G	47	Restore all user registers and resume execution at PC	Restore user registers except PC = (1) S = FD, monitor return address is on stack		
VER V	56	Display 8 bytes with checksum beginning at (OLD)	Display 8 bytes with checksum beginning at (1)	Display (1)-(2), 8 bytes per line, with addresses and cumulative checksums	
DEP D	44	Deposit to memory, beginning at (OLD). CRLF/ address after 8 bytes, auto spacing	Deposit to memory, beginning at (1)		
CALC C	43		Calculate 0-(1) or two's complement of (1)	Calculate (1)-(2) or displacement	Calculate (1)+(2)-(3) or displacement with offset
BMOV B	42				Move all of (2) thru (3) to (1) thru (1)+(3)-(2)

Table 5-1. SYM-1 COMMAND SUMMARY (Continued)

Command	Code	Number of Associated Parameters			
		0	1	2	3
JUMP J	4A		Restore user registers except PC=entry (1) of JUMP TABLE, S=FD, monitor return on stack		
SDBL SD	*10			Store high byte of (1) in (2) + 1 then lo byte of (1) in (2), good for changing vectors	
FILL F	46				Fill all of (2) - (3) with data byte (1)
WP W	57		Write protect user RAM according to lo 3 digits of (1)		
LD1 L1	*12	Load first KIM format record found into locations from which it was saved	Load KIM record with ID = (1) into locations from which it was saved	(1) must = FF load first KIM record found, but start at location (2)	
LD2 L2	*13	Load first hi speed record found into locations from which it was saved	load hi speed record with ID = (1)		(1) must = FF load first hi speed record found into (2) - (3)
LDP LP	*11	Load data in paper tape format. To signal end of file for tape without EOF record, type ;00 CR in on-line mode.			

Table 5-1. SYM-1 Command Summary (Continued)

Command	Code	Number of Associated Parameters			
		0	1	2	3
SAVP SP	*1C			Save data from locations (1) - (2) in paper tape format. To create end of file record, unlock punch, switch to local mode, lock punch, type ;00 CR	
SAV1 S1	*1D				Save cassette tape locations (2) - (3) with ID = (1) KIM format
SAV2 S2	*1E				Save cassette tape locations (2) - (3) with ID = (1) hi speed format
EXEC E	45		Get monitor input from RAM, starting (1)	Get monitor input from RAM, starting (2) and store (1) for later use	Get monitor input from RAM, starting (3) and store (1) and (2) for later use.

* HASHED ASCII CODE

**Table 5-2. OPERATIONAL AND SPECIAL KEY DEFINITION
(ON-BOARD KEYBOARD ONLY)**

Key	ASCII or *Hash Code	Description/Use
CR	OD	Carriage Return (terminates all command strings)
+	2B	Advance eight bytes
-	2D	Retreat eight bytes; also used to delimit parameters
→	3E	Advance one byte or register
←	3C	Retreat one byte
USRO USR1 USR2 USR3 USR4 USR5 USR6 USR7	*14 *15 *16 *17 *18 *19 *1A *1B	All USR keys transmit the indicated Hash Code when entered as a command. The same hash codes can be sent from another terminal by entering UO (two characters, no spaces) through U7 as commands. These functions are not defined in SUPERMON and will cause the monitor to vector through the unrecognized command vector. See Chapter 9 for instructions on using this SUPERMON command feature to program your own special functions.
SHIFT	None	Next key entered is upper position of the selected key.
RST	None	System RESET. System RAM reinitialized to default values
DEBUG ON	None	Turn hardware Debug function "ON"
DEBUG OFF	None	Turn hardware Debug function "OFF"
ASCII	None	Next two keys entered (Hex) will be combined to form one ASCII character (e.g., SHIFT ASCII 4 D followed by a CR is the same as MEM followed by a carriage return).

* HASHED ASCII CODE

5.3 SYM-1 MONITOR COMMANDS

5.3.1 M (Display and/or Modify Memory)

Number of Associated Parameters			
0	1	2	3
Memory Examine and modify, begin at (OLD)	Memory Examine and modify, begin at (1)	Memory Search for for byte (1), in locations (OLD)-(2)	Memory Search for byte (1), in locations (2)-(3)

- The standard form for this command uses one parameter and is shown below.

M addr CR

SUPERMON will then display the address and the byte contained in the location "addr." The following options are then available:

1. Enter 2 Hex digits: bb is replaced and the next address and byte are displayed.
2. Enter single quote (from terminal) and any character: bb is replaced with the ASCII code for the entered character.
3. Enter → or ← (> or < from terminal): bb is left unchanged and addr+1 or addr-1, with its contents, is displayed.
4. Enter + or - : bb is left unchanged and addr+8 or addr-8 with its contents, is displayed.
5. Enter CR : Return to monitor command mode; bb unchanged.

- Another form of the display memory command uses no parameter as shown below:

M CR

This will cause SYM-1 to resume memory examine and modify at (OLD).

- The same memory (M) key may be used to search for a particular byte in memory, using three parameters in this form:

M bb,addr1,addr2 CR

This instructs the system to search for byte bb from addr1 to addr2. When an occurrence of bb is found, the location and contents are displayed, and all of the standard M options described above become available. In addition, a "G" entered following any halt will continue the search.

- Similarly, the two parameter sequence:

M bb,addr CR

will resume memory search for byte bb from (OLD) to addr.

The following examples demonstrate the various uses of memory display/modify commands. Characters entered by the user are underlined.

One Parameter

<pre>.M <u>2</u> 0215,8B,<u>2</u> *</pre>	<p>Display memory location (OLD); return to Monitor</p>
<pre>.M <u>A656</u> A656,00,0A A657,4D,<u>2</u> *</pre>	<p>Display memory location A656 Put some data there; return to Monitor</p>
<pre>.M <u>200</u> 0200,20,^A 0201,86,^B 0202,8B,^C 0203,20,<u>2</u> *</pre>	<p>Display memory location 200 Replace data with ASCII code for A Next location displayed; replace data with ASCII B Next location displayed; replace data with ASCII C Return to Monitor</p>
<pre>.M <u>0200</u> 0200,41,^ 0201,42,^ 0202,43,^ 0203,20,^ 0204,AF,<u>2</u> *</pre>	<p>Display memory location 200 Display next location; data unchanged Display next location; data unchanged Use space bar for same purpose as arrow Return to Monitor</p>
<pre>.M <u>0300</u> 0300,B4,< 02FF,8B,< 02FE,44,< 02FD,8B,<u>2</u> *</pre>	<p>Display memory location 300 Display previous location; data unchanged Return to Monitor</p>
<pre>.M <u>0200</u> 0200,41,± 0208,F0,^ 0209,06,^ 020A,20,^ 0202,43,<u>2</u> *</pre>	<p>Display memory location 200 Advance 8 bytes and display memory Space used to advance one location; data unchanged Reverse 8 bytes and display memory Return to Monitor</p>
<pre>.M <u>0200</u> 0200,41,<u>2</u> .M 0200,41,<u>2</u> *</pre>	<p>Display memory location 200 Return to Monitor Display (OLD) which is still 200 Return to Monitor</p>

Two and Three Parameters

```
.M 6C,8000,8400↓          Search for 6C in range 8000-8400
801F,6C, _
8017,29, ↓
.U↓
8017 29 10 F0 07 68 AA 69 28,D2
02D2
.M 6C,8400↓              Continue search
801F,6C, _
8020,F6, _
8021,FF,G                Continue search
8026,6C, _
8027,F8, _
8028,FF, ↓              Halt search
```

5.3.2 R (Display and/or Modify User Registers)

Number of Associated Parameters			
0	1	2	3
Examine and modify user registers PC,S,F,A,X,Y			

- The only pre-defined form of this command is with no parameters, i.e.:

R CR

As soon as the command is entered, the contents of the PC are displayed as follows:

P 8B4A,

Using a forward arrow (→ or >), you may examine the next register. Registers are displayed in the order PC, S, F, A, X, Y, with wrap-around (i.e., PC is displayed after Y). Each register except PC carries a Register Number on the display or TTY printout; S is R1, F is R2, A is R3, X is R4, and Y is R5 (see example below).

To modify the displayed register, enter two or four digits (four only in the case of the PC). The register will be automatically modified and the next will be displayed. A CR will cause control to return to the monitor for another command.

In the following example, we have modified the contents of the PC register to become 0200, and the A register to be set to 16. The other registers are not modified and at the conclusion of the complete register cycle and redisplay of PC, a CR is used to return to monitor command mode.

.R↓	Display registers
P 8B4A, _	PC; space is used to advance
R1 FF, _	S
R2 00, _	F
R3 00, _	A
R4 00, _	X
R5 00, _	Y
P 8B4A, ↓	PC re-displayed; return to Monitor

.R↓	
P 8B4A, 0200	
R1 FF, >	
R2 00, _	
R3 00, 16	Alter PC = 200, A = 16
R4 00, ↓	

5.3.3 G (GO)

Number of Associated Parameters			
0	1	2	3
Restore all user registers and resume execution at PC	Restore user registers except PC = (1) S = FD; monitor return address is pushed onto stack		

- The GO command may be used with no parameters to restore all user registers and begin execution at PC:

G CR

- With one parameter, the command will restore user registers except that PC is set to addr, S is set to FD and SUPERMON's return address is pushed onto the stack. Thus, if a subroutine return is executed, it will result in a return to monitor command mode (with the user's stack not saved). Its format is as follows:

G addr CR

5.3.4 V (VERIFY)

Number of Associated Parameters			
0	1	2	3
Display 8 bytes with checksum beginning at (OLD)	Display 8 bytes with checksum beginning at (1)	Display (1)-(2), 8 bytes per line, with addresses and cumulative checksums	

- With one parameter, this command will result in the display of 8 bytes beginning at addr, with checksum. The format is as follows:

V addr CR

In this example, bytes stored in locations 200-207 are displayed, along with their checksum:

```
.V 200↓
0200 41 42 43 20 AF 88 C9 0D,F3
 02F3
.
```

Note that on the on-board display, only the two-byte checksum will be visible.

The checksum is a 16-bit arithmetic sum of all of the data bytes displayed. The low byte is displayed on the data line, and the full checksum on the next. The address is not included in the checksum.

- With no parameters, the command will display 8 bytes beginning at (OLD).

V CR

```
.V↓
0200 41 42 43 20 AF 88 C9 0D,F3
 02F3
.
```

- With two parameters, the "V" command will display memory from addr1 through addr2. Eight bytes per line are displayed, with cumulative checksums. A single byte checksum is included on each data line, and a final two-byte checksum is printed on a new line.

V addr1,addr2 CR

```
.V 8000,8015↓
8000 4C 7C 8E 20 FF 80 20 4A,5C
8008 81 20 71 81 4C 03 80 08,C6
8010 48 8A 48 BA ED 04,5E
 085E
.
```

5.3.5 D (Deposit)

Number of Associated Parameters			
0	1	2	3
Deposit to memory, beginning at (OLD), CRLF/address after 8 bytes, auto spacing	Deposit to memory, beginning at (1)		

- This command is used for entering data to memory from a terminal. With **one parameter**, this command instructs the system to output a **CR** and line feed and print **addr**. As each two-digit byte is entered, a space is output. If you enter a space (instead of a two-digit byte), you will cause two more spaces to be output, and that memory location will remain unchanged.

D addr CR

```
.D 200↓
0200 A9 3A 85 46 20 13 08 20
0208 EE 08 85 44 84 45 C6 46
0210 D0 F2 60 ↓
```

- As with other commands, the "D" with **no parameters** will deposit beginning at (OLD).

D CR

Notice that V and D line up, so that a line displayed with V may be altered with D, as shown below:

```
.V 200↓
0200 A9 3A 85 46 20 13 08 20,09
0209
.D↓
0200 _ 0D _ 45 _ 80 03 ↓
.V 200↓
0200 A9 0D 85 45 20 80 03 20,43
0243
```

Verify contents of 0200-0207

Checksum

Deposit memory from 0200; space to advance

Re-verify contents of 0200-0207

New checksum

5.3.6 C (Calculate)

Number of Associated Parameters			
0	1	2	3
	Calculate 0-(1), the two's complement of (1)	Calculate (1)-(2) or displacement	Calculate (1)+(2)-(3) or displacement with offset

This command is used to do Hexadecimal arithmetic. It is very useful in programming to compute branch operands required for SY6502 instructions.

- With one parameter, it calculates 0 minus addr (i.e., the two's complement).

C addr CR

- With two parameters, the "C" command will calculate addr1 minus addr2 (i.e., displacement).

C addr1, addr2 CR

- With three parameters, the "C" command will calculate addr1 plus addr2 minus addr3 (i.e., displacement with offset).

C addr1,addr2,addr3 CR

5.3.7 B (Block Move in Memory)

Number of Associated Parameters			
0	1	2	3
			Move all of (2) thru (3) to (1) thru (1)+(3)-(2)

- This command is only defined for three parameters and is demonstrated by the following examples:

• B 200,300,320

Move 300 thru 320 to 200 thru 220.

• B 200,220,250

Move 220 thru 250 to 200 thru 230. No data is lost, even though the regions overlap.

• B 220,200,230

Move 230 thru 200 to 250 thru 220. (Note that this move occurs in the opposite direction. No data is lost.)

5.3.8 J (JUMP)

Number of Associated Parameters			
0	1	2	3
	Restore user registers except PC=entry (1) of JUMP TABLE, S=FD, monitor return pushed on stack		

- This command is only defined for one parameter.

J n CR

The parameter, n, must be in the range 0-7. All user registers are restored, except PC is taken from the JUMP TABLE in System RAM, and S=FD. The monitor return address is pushed onto the stack.

(Because the monitor return is on the stack, a JUMP to a subroutine is allowable.)

Note also that certain useful default addresses are inserted in the JUMP TABLE at Reset. (See Memory Map.)

5.3.9 SD (Store Double Byte)

Number of Associated Parameters			
0	1	2	3
		Store high byte of (1) in (2)+1 then low byte of (1) in (2). Good for changing vectors	

- This command is defined only for two parameters and is most useful for changing vectors.

SD addr1,addr2 CR

The example below was used to enter the address of the Hex keyboard input routine into INVEC, in correct order (low byte-high byte). Note that this vector could not have been altered with M, because after one byte had been altered, the vector would have pointed to an invalid address.

```
.SD B9BE,A661↓
```

5.3.10 **F (Fill)**

Number of Associated Parameters			
0	1	2	3
			Fill all of (2)-(3) with data byte (1)

- Defined only for **three parameters**, this command will fill the defined region of memory (addr1-addr2) with a specified byte (bb).

F bb,addr1,addr2 CR

For example:

• F EA,200,300

•

Fill the region 200 thru 300 with the byte EA, which is a NOP instruction.

5.3.11 W (Write Protect)

Number of Associated Parameters			
0	1	2	3
	Write protect user RAM according to 3 digits of (1)		

- This command is defined for only one parameter. To unprotect all of user RAM, the command is:

W 0 CR

Its general form is:

W d₁d₂d₃ CR

Where each of d₁, d₂, d₃ are the digits 0 (unprotect) or 1 (protect).

d ₁ = 400-7FF	1K above first K of RAM
d ₂ = 800-BFF	2K above first K of RAM
d ₃ = C00-FFF	3K above first K of RAM

For example

* W 101

1	protect 400-7FF
0	unprotect 800-BFF
1	protect C00-FFF

Note that write protect applies to extended user RAM on-board, and also that it requires a jumper insertion (see Chapter 4).

5.4 CASSETTE AND PAPER TAPE COMMANDS

The SYM-1 handles cassette I/O in two formats, KIM-compatible format (8 bytes/sec), and SYM high-speed format (185 bytes/sec).

The S1 and L1 commands refer to KIM format, while the S2 and L2 commands refer to SYM high-speed format.

With each Save command you specify a two-digit ID, as well as starting and ending addresses. The ID, the addresses, and the contents of all memory locations from starting to ending address, inclusive, will be written to tape. Each Save command will create one **RECORD**.

You should be careful to assign unique ID's to different records on the same tape, and to label the tape with the ID's and addresses of all the records it contains.

While SYM is searching for a record or trying to synchronize to the tape, an "S" will be lit in the left-most digit of the display on the on-board keyboard. If the "S" does not turn off, SYM is unable to locate or to read the requested record.

5.4.1 S1, S2 (Save Cassette Tape)

Number of Associated Parameters			
0	1	2	3
(S1)			Save cassette tape, locations (2) - (3) with ID = (1) in KIM format
(S2)			Save cassette tape, locations (2) - (3) with ID = (1) in High Speed format

- These commands are discussed together, as their syntax is identical. Recall that S1 refers to KIM format while S2 refers to SYM high-speed format.

Both are defined only for three parameters.

S2 bb,addr_s,addr_e CR

The first parameter is a 2-digit ID, which may be any value other than 00 or FF. It is followed by the starting address and the ending address. In the example below, all memory locations from 0200 thru 0280, inclusive are written to tape, and given the ID 05.

• S1 5,200,280)

5.4.2 L2 (Load High-Speed Format Record)

Number of Associated Parameters			
0	1	2	3
Load first Hi Speed record found into locations from which it was saved	Load Hi Speed record with ID = (1)		(1) must = FF. Load first Hi Speed record found into (2) - (3)

- The standard form of this command uses one parameter, as follows:

L2 bb CR

The parameter bb is the ID of the record to be loaded. When found, the record will be loaded into memory, using the addresses saved in the record itself.

If the record bb is not the first high-speed record on the tape, the "S" light will go out as VIM reads through, but ignores, the preceding records. After each unselected record is read, the "S" will re-display.

- With no parameters (or a single parameter of zero), the instruction will load the first high-speed format record found, without regard to its ID, using the addresses saved in the record itself.

L2 CR

or

L2 0 CR

- The L2 command exists in a third form, using three parameters, as follows:

L2 FF,addr1,addr2, CR

This usage will load a record into a **different** area of memory from where it was saved. The first parameter **must** be FF, followed by the requested starting and ending address. It is your responsibility to supply addr1 and addr2 such that their difference is the same as the difference of the addresses used to save the record.

5.4.3 L1 (Load KIM Format Record From Tape)

Number of Associated Parameters			
0	1	2	3
Load first KIM format record found into locations from which it was saved	Load Kim record with ID = (1) into locations from which it was saved	(1) must = FF. Load first KIM record found, but start at location (2)	

- The L1 command, used with zero or with one parameter, is identical in syntax to the L2 command (see Section 5.4.2, above).
- With two parameters, the L1 command is used to load into a different region of the memory than that with which the record was saved.

L1 FF,addr CR

The first parameter must be FF, followed by the requested starting address. No ending address is necessary, as the load operation will halt when the end of the record is found.

5.4.4 SP (Save Paper Tape)

Number of Associated Parameters			
0	1	2	3
		Save data from locations (1) - (2) in paper tape format. To create end of file record, unlock punch, switch to local mode, lock punch, type ;00 CR	

- Defined only for two parameters, this command will output data from RAM in paper tape format (see Appendix D).

SP addr1,addr2 CR

For example:

```
*SP 200,215↓
;10020034AB743E44EE44EE44EE44EE44EE44EE44EE44EE079A
;060210AC1BF49BD4EE03FD
*
```

5.4.5 LP (Load Paper Tape)

Number of Associated Parameters			
0	1	2	3
Load data in paper tape in format. To signal end of file for tape without EOF record, type ;00 CR in on-line mode			

- This command is defined for **no parameters** only. It will load memory with data in paper tape format (see Appendix D).

LP CR

5.5 USER-DEFINED FUNCTIONS

You may, as we have previously pointed out, write programs to be called from the on-board keyboard. You may do this by using any combination of command and number of parameters which is not already defined (e.g., B MOV with only two parameters) or by using any or all of the eight keys along the bottom two rows of the on-board keyboard (those labeled "USR 0" through "USR 7"). The exact means of implementing these special functions is discussed in detail in Chapter 9.

5.6 ERROR CODES

The SYM-1 microcomputer system handles error codes in an interactive way, with codes being designed to be determined by the context in which the error occurs. No table of error conditions and their meanings is therefore provided with this manual, since these are context dependent.

However, you should be aware of the general method by which errors are handled by your SYM-1 system.

When your SUPERMON encounters an error of some type, it displays a 2-digit representation of the byte which was being processed when the error was detected. For example, if you attempt to carry out a CALC command with no parameters (and you haven't defined such a routine yourself as explained in Chapter 9), the system will display a "43." which is the ASCII representation for the "C" which represents the CALC function.

Similarly, if you attempt to use an ID of 00 or FF with either SAV1 or SAV2, the system will display the ID used in error.

After the "er" message is printed, a new prompt (decimal point) is displayed, and SUPERMON waits for a new command. Note that you do not need to RESET when an error condition occurs, since that results in System RAM being cleared and necessitates a re-start of your routine. It is also worth noting that when you carry out an EXEC command at the on-board keyboard the system does not halt when an error occurs; rather, it continues in the same fashion as if new commands were coming directly from the keyboard. The error condition therefore flashes too rapidly on the LED display for you to see it. Command sequences to be executed by EXEC should be pretested prior to such use.

Some fixed error codes do exist in the monitor. Four such codes are used in audio cassette operations and are defined in Table 5-3. Additionally, if in carrying out LD P, FILL or B MOV commands you either attempt to store data in a non-existent or WRITE-protected memory location or if during execution of one of these commands a memory error occurs, the LED display will show the number of locations read incorrectly. This number will always stop at "FF" if it exceeds that number, so that the display will have some intelligible meaning.

Table 5-3. ERROR CODES IN AUDIO CASSETTE OPERATIONS

Code Displayed	Meaning
2F	Last-character error. The last character in a tape record should be a 2F. If that is not the case, the system displays the error code shown.
CC	Checksum error. Usually indicates data transfer problems. Re-position the tape and try again.
FF	In KIM-1 format loading, this error code means a non-Hexadecimal character has been encountered. This almost always means a synchronization error. Restart the procedure.
	In High-Speed format loading, a framing (i.e., synchronization) error is the cause. Restart the procedure.

The following examples provide some representative errors to enable you to become familiar with how they are reported on SYM-1 using a TTY or CRT.

.W 111 ↓
.F EA,300,400 ↓
ER 01
*

Memory location 400 write protected, therefore it could not be modified. One byte only in error.

.S2 200,280 ↓
ER 1E
*

S2 is not defined for two parameters. The hash code for S2 is 1E.

.C A,230,500,
ER 2C
*

Three parameters only permitted.

.C 200,2X
ER 58
*

X is not a valid Hex digit.

.S2 FF,200,280 ↓
ER FF
*

ID may not be FF or 00.

.L2 AA,200,280 ↓
ER AA
*

ID must be FF.

.M 6000 ↓
6000,60,F5? ↓
6001,60, ↓
*

No RAM at 6000, therefore it cannot be modified.

.I 8000 ↓
8000 AA? DD? ↓
*

ROM at 8000, therefore it cannot be modified

.D 200,280 ↓
ER 44
*

Deposit not defined for 2 parameters. D = ASCII 44.

.F EA,5000,6000 ↓
ER FF
*

No RAM at locations 5000-6000, therefore no modification was possible. The number of bytes which were not correctly changed is greater than or equal to 255 (decimal).

CHAPTER 6

PROGRAMMING THE SYM-1

Creating a program on the SYM-1 involves several steps. First, the input to the program and its desired output must be carefully defined. The flow of program logic is usually worked out graphically in the form of a flowchart. Next, the symbols on the flowchart are converted to assembly language instructions. These instructions are in turn translated into machine language, which is entered into memory and executed. If (as usual) the program does not run correctly the first time, you must debug it to uncover the errors in the program. This chapter illustrates the steps involved in creating a program to add two 16-bit binary numbers, and provides two other programming problems with suggested solutions. All three programs are designed to communicate basic programming principles and techniques and to demonstrate a programmer's approach to simple problems.

6.1 HARDWARE

All the sample programs listed here can be loaded and run on the basic SYM-1 with the minimum RAM. The only I/O devices required are the on-board keyboard and display.

If a printing or display terminal is available, by all means use it instead of the Hex keyboard provided. Both types are more comfortable for most users and allow much more data to be displayed at once.

Connect the terminal cable to the appropriate connector on the left edge of the card as described in Chapter 3. Verify that the switches on the terminal are set for full-duplex operation and no parity. The duplexing mode switch will usually be labelled HALF/FULL or H/F; the parity switch will be labelled EVEN/ODD/NO. If your terminal has a CRT, wait for it to warm up. To log on to a terminal, enter a "Q" immediately after reset.

6.2 DOUBLE-PRECISION ADDITION

Since the eight bits of the accumulator can represent positive values only in the range 0-255 (00-FF Hex), 255 is the largest sum that can be obtained by simply loading one 8-bit number into the accumulator and adding another. But by utilizing the Carry Flag, which is set to "1" whenever the result of an addition exceeds 255, multiple-byte numbers may be added and the results stored in memory. A 16-bit sum can represent values greater than 65,000 (up to FFFF Hex). Adding 16-bit rather than 8-bit numbers is called "double-precision" addition, using 24-bit numbers yields triple precision, etc.

6.2.1 Defining Program Flow

Flowcharting is an orderly way of representing a procedure. Much easier to follow than a list of instructions, a flowchart facilitates debugging and also serves as a handy reference when using a program written weeks or months earlier. Some common flowcharting symbols are shown in Figure 6-1. below.

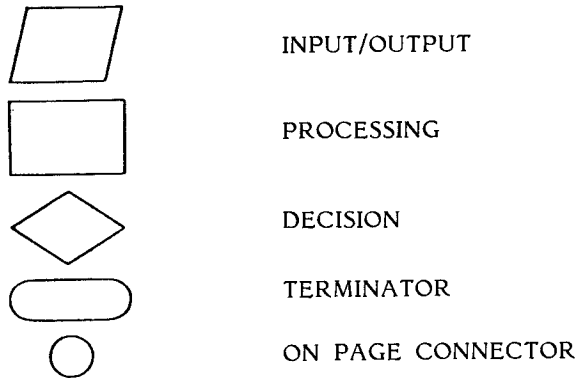


Figure 6-1. COMMON FLOWCHARTING SYMBOLS

The object of our program is to add two 16-bit numbers, each stored in two bytes of RAM, and obtain a 16-bit result. The sequence of operations the processor must perform is shown in the flowchart in Figure 6-2.

To accomplish double-precision addition, first clear the Decimal Mode and the Carry Flags. (The addition is in binary, so the system must not be expecting decimal numbers. The Carry Flag is used in the program and must start at zero.) Load the low byte of the first 16-bit number into the accumulator and add the low order byte of the second number using an Add With Carry (ADC) command. The contents of the accumulator are the low order byte of the result. The Carry Flag is set if the low-byte sum was greater than FF (Hex).

You now store the accumulator contents in memory, load the high order byte of the first number into the accumulator, and add the high order byte of the second number. The ADC command automatically adds the carry bit if it is set. After the second addition, the contents of the accumulator are the high order byte of the result. The example below shows the addition of 384 and 128.

```
0000 0001 1000 0000    384 (0180 Hex)
0000 0000 1000 0000    128 (0080 Hex)
```

Add low order bytes: (clear carry)

```
      1000 0000
      1000 0000
Carry = 1 0000 0000
```

Add high order bytes: (carry = 1)

```
      0000 0001
      0000 0000
          1 CARRY
Carry = 0 0000 0010
```

Result = 0000 0010 0000 0000 = 512 (0200 Hex)

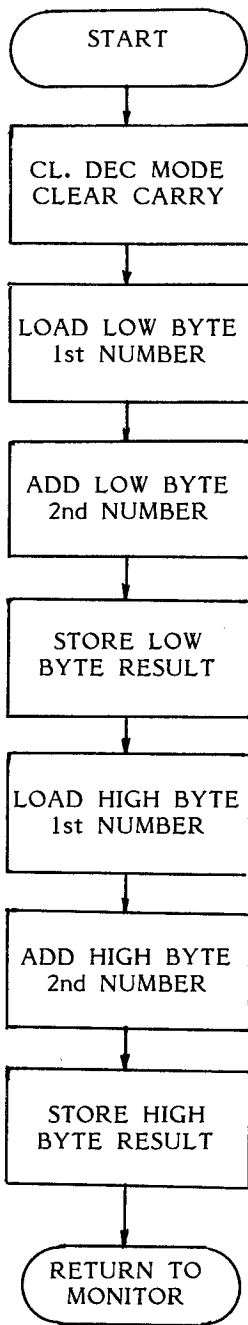


Figure 6-2. DOUBLE-PRECISION ADDITION FLOWCHART

6.2.2 Coding and "Hand Assembly"

Once you have flowcharted a program, you may "code" it onto a form like the one shown in Figure 6-3. SY6502 Microprocessor Assembly Language is described in Sections 4.3.3 and 4.3.4. Additional information is available in the Synertek "Programming Manual" for the 6500 family. Figure 6-4 shows the coding for our example.

The first step involves finding the SY6502 commands that correspond to the operations specified in the flowchart. A summary of the commands and their mnemonic codes is given in Table 4-7. Arbitrary labels were assigned to represent the addresses of the monitor, the two addends and the sum and entered in the operand field. As written, the assembly language program does not specify where in memory the program and data will be stored.

To store and execute the program, you must "assemble" it by translating the mnemonics into hexadecimal command codes and assign the program to a set of addresses in user RAM. Performing this procedure with pencil and paper, rather than with a special assembler program, is "hand assembly".

The SUPERMON monitor begins at Hex location 8000, and the addends and the sum have been arbitrarily assigned to locations 0301 through 0306. You should note that the high and low order bytes of a 16-bit number need not be stored in contiguous locations, although they are in this example.

The program will be stored beginning in location 0200, another arbitrary choice. Data and programs may be stored anywhere in user RAM. Columns B1, B2, and B3 represent the three possible bytes in any 6502 instruction. B1 always contains the Hexadecimal operation code. B2 and B3 represent the operand(s). Looking at the coding form, you can see that the CLD and CLC instructions each occupy one byte and that the LDA instruction occupies three bytes. On your instruction set summary card, you'll see that the LDA mnemonic represents several different operation codes depending on the addressing mode chosen. AD indicates absolute addressing and specifies a three-byte command. When all the operation codes and operands have been translated into pairs of Hex digits, the program is ready to be entered into memory and executed.

6.2.3 Entering and Executing the Program

The procedure for entering the double precision addition program is shown below.

<u>YOU KEY IN</u>	<u>DISPLAY SHOWS</u>	<u>EXPLANATION</u>
(RST)		
(CR)	SY1.0..	
(MEM) 200 (CR)	0200.**.	Enter memory display and modify mode
D8	0201.**.	Store D8 in location 0200, advance to next location
18	0202.**.	Store 18 in location 0201, advance to next location
AD	0203.**.	.
02	0204.**.	.
03	0205.**.	.
6D	0206.**.	.
	.	
	.	
	.	
80	0217.**.	
(CR)	217.**..	Exit memory display and modify mode



DUAL - PRECISION ADD ROUTINE

ADDR	INSTRUCTIONS			LABEL	MNEMONIC	OPERAND	COMMENTS
	B1	B2	B3				
200	DB				CLD		CLEAR DECIMAL MODE FLAG (MODE = 0)
201	1B				CLC		CLEAR CARRY FLAG (CARRY=0)
202	AD	02	03		LDA	L1	LOAD LOW ORDER BYTE, FIRST NUMBER
205	6D	04	03		ADC	L2	ADD WITH CARRY, LOW ORDER BYTE, SECOND NUMBER
208	8D	06	03		STA	L3	STORE LOW ORDER BYTE, RESULT
20B	AD	01	03		LDA	H1	LOAD HIGH ORDER BYTE, FIRST NUMBER
20E	6D	03	03		ADC	H2	ADD WITH CARRY HIGH ORDER BYTE, SECOND NUMBER
211	8D	05	03		STA	H3	STORE HIGH ORDER BYTE, RESULT
214	4C	00	8D		JMP	START	BRANCH TO MONITOR
301				H1	=	\$ 301	HIGH ORDER BYTE OF FIRST NUMBER
302				L1	=	\$ 302	LOW ORDER BYTE OF FIRST NUMBER
303				H2	=	\$ 303	HIGH ORDER BYTE OF SECOND NUMBER
304				L2	=	\$ 304	LOW ORDER BYTE OF SECOND NUMBER
305				H3	=	\$ 305	HIGH ORDER BYTE OF RESULT
306				L3	=	\$ 306	LOW ORDER BYTE OF RESULT
8000				START	=	\$ 8000	MONITOR

Figure 6-4. DUAL-PRECISION ADD ROUTINE

The program is now entered. Examine each location to make sure that all values are correct. Then store the addend values in locations 0301-0304 as shown below. We'll use the numbers that were used in the example in Section 6.2.1, 0180 (Hex) and 0080 (Hex).

<u>YOU KEY IN</u>	<u>DISPLAY SHOWS</u>	<u>EXPLANATION</u>
(MEM) 301 (CR)	0301.**.	
01	0302.**.	Enter high order byte, first addend
80	0303.**.	Enter low order byte, first addend
00	0304.**.	Enter high order byte, second addend
80	0305.**.	Enter low order byte, second addend
(CR)	305.**.	

To execute the program, enter the command shown below.

<u>YOU KEY IN</u>	<u>DISPLAY SHOWS</u>	<u>EXPLANATION</u>
(GO) 200 (CR)	g 200.	Execute program starting at location 0200.

Now use MEM to examine locations 0305 and 0306. Verify that they are high and low order bytes of the result, 02 and 00. If you find other data at these locations, you will be pleased to know that the next section of this chapter tells you how to debug the program.

6.2.4 Debugging Methods

The first step in debugging is to make sure that the program and data have been entered correctly. Use the MEM command to examine the program starting address, and use the right-pointing arrow key to advance one location at a time and verify that the contents of each are correct. If you have a terminal, you can generate a listing by entering an SP command without turning on the tape punch or by using the VER command. Also examine the locations that contain the initial data.

If the program and data are correct, but the program still does not execute properly, you may want to use the SYM-1 DEBUG function. If DEBUG is ON when the execute (GO) command is entered, the program will execute the first instruction, then return control to the monitor. The address on the display will be the address of the first byte of the next instruction. If you again press GO (CR) to execute (do not specify an address this time), the computer will execute the next instruction, then halt as before. The program may be executed one step at a time in this manner.

By entering a non-zero Trace Velocity (at location A656), execution will automatically resume after a pause during which the Accumulator is displayed. Depress any key to halt automatic resumption.

After certain instructions, you will want to examine the contents of memory locations or registers. Use the MEM or REG commands, then resume operation by entering another GO command.

To examine the Carry Flag after the low order addition, for example, use the REG command as shown below.

<u>YOU KEY IN</u>	<u>DISPLAY SHOWS</u>	<u>EXPLANATION</u>
(ON)	unimportant	Turn DEBUG function ON
(GO) 200 (CR)	0201.2 .	Execute D8 instruction
(GO) (CR)	0202.2 .	Execute 18 instruction
(GO) (CR)	0205.2 .	Execute AD instruction
(GO) (CR)	0208.2 .	Execute 6D instruction, low order add with carry
(REG) (CR)	P 0208.	Program Counter
	r1 Fd.	Stack pointer
	r2 63.	Status register
(CR)	2 63.	End register examination
(GO) (CR)	020B.2 .	Execute 8D instruction
	:	

The Carry Flag is the lowest (rightmost) bit of the Status Register. To determine whether the flag was set, convert the Hex digits 63 to binary. The result of this conversion is 0110 0011, and since the low bit is "1", this confirms that the sum of the two low order bytes was greater than 255 (FF Hex).

You may turn the DEBUG switch OFF after any instruction. When you next press GO, the program will finish executing.

Since reading from or writing to any I/O port is the same as reading from or writing to a memory location, the DEBUG feature may also be used to debug I/O operations. When the port address is examined with a MEM command, the two Hex digits that represent data indicate the status of each line of the port. For example, if the value C2 is displayed, pin status is as follows:

```

          PIN   7   6   5   4   3   2   1   0
STATUS      1   1   0   0   0   0   1   0
0 = Low
1 = High

```

For more advanced debugging techniques, including how to write and use your own trace routines, see Sections 9.5 and 9.6.

You now know how to code, enter, and debug programs on the SYM-1. Let's go look at two more examples that illustrate useful programming concepts.

6.3 CONDITIONAL TESTING

Most useful computer programs don't go in straight lines -- they don't simply execute a series of instructions in consecutive memory locations. They do perform different operations for different data by testing data words and jumping to different locations depending on the results of the test. Typical tests answer the following kinds of questions:

1. Is a selected bit of a specified data word a 1 or a 0?
2. Is a specified data word set to a selected ASCII character or numeric value?

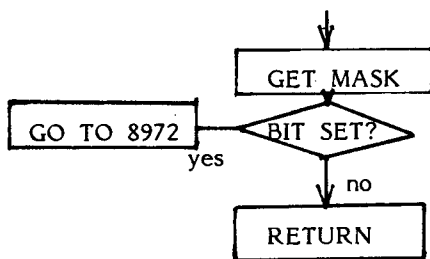
The sample program discussed below will answer question "1". It can be patched easily to answer question "2". You can use the principles you learn in the first two examples to make many more complicated tests.

Bit Testing

This sample program looks at the word in Hex location 31 and tests bit 3. If bit 3 is set to one, it jumps to location 8972; if bit 3 is zero, it returns to the executive. Location 8972 is a monitor subroutine that makes the SYM-1 go "beep".

The only problem involved is in isolating bit 3. The simplest way is to use a mask — a word in memory with bit 3 set and none other. If we logically AND the mask with the sample word, the resultant value will be zero if bit 3 was zero and non-zero otherwise. The BIT test performs the AND and tests the value without altering the state of the accumulator.

Here is the flow chart. The code is in Figure 6-5. The mask (F7 Hex) is in location 30, the test value in location 31.



Hint

If you wish to test bit 0 or bit 7 of a byte, you need not use a mask. Simply use a shift operation to place the selected bit in the CARRY status bit and use a BCC or BCS to test CARRY. This saves one or more program locations. Note that it alters the accumulator - you may have to shift it back for later processing.

Character, Value, or Magnitude Testing

To test whether a byte is exactly equal to an ASCII character or a value, use the Compare command or first set a mask location exactly equal to the character or value. Then use the EOR command to find the exclusive OR of the two values and test the result for zero. It will be zero if and only if the values were identical. Note that this destroys the test value -- keep another copy of it if you must use it again.

To test whether a byte is greater, equal to, or less than a given value, use the Compare command or set a mask to the test values and subtract it from the test value. The test value will be destroyed. Test the result to see whether it is positive, negative, or zero (this takes two sequential tests) and skip accordingly. Try writing a program that makes a series of magnitude tests to determine whether a given byte is an ASCII control character (0-1F Hex), punctuation mark, number, or letter. The values of the ASCII character set are listed on the summary instruction card.

6.4 MULTIPLICATION

The sample program described here multiplies two one-byte unsigned integers and stores the results in two bytes. Note that in any base of two or more, the product of two numbers may be as long as the sum of the lengths of the numbers. In decimal, $99 \times 99 = 9801$; in Hex $FF \times FF = FE01$.

Since many programs will involve multiplication, it is not good practice to write a multiplication routine every time the need comes up. The sample is set up as a subroutine to allow it to be used by many programs. Serious programmers will usually wind up with libraries of subroutines specialized for their applications.

How to Multiply

Multiplication is normally introduced to students as a form of sequential addition. Humans can in fact multiply 22 (decimal) by 13 by performing an addition:

$$22 + 22 + 22 \dots 22 = 286$$

This technique is of course foolish -- it involves a lot of work and a high probability of error. It would be easy to write a program that would multiply this way (try it) but it would be a terrible waste of time.

How then to multiply? We could use a table. Humans use memorized tables that work up to about 10×10 :

$$7 \times 8 = 56$$

Humans cannot, however, remember well enough to know that:

$$22 \times 13 = 286$$

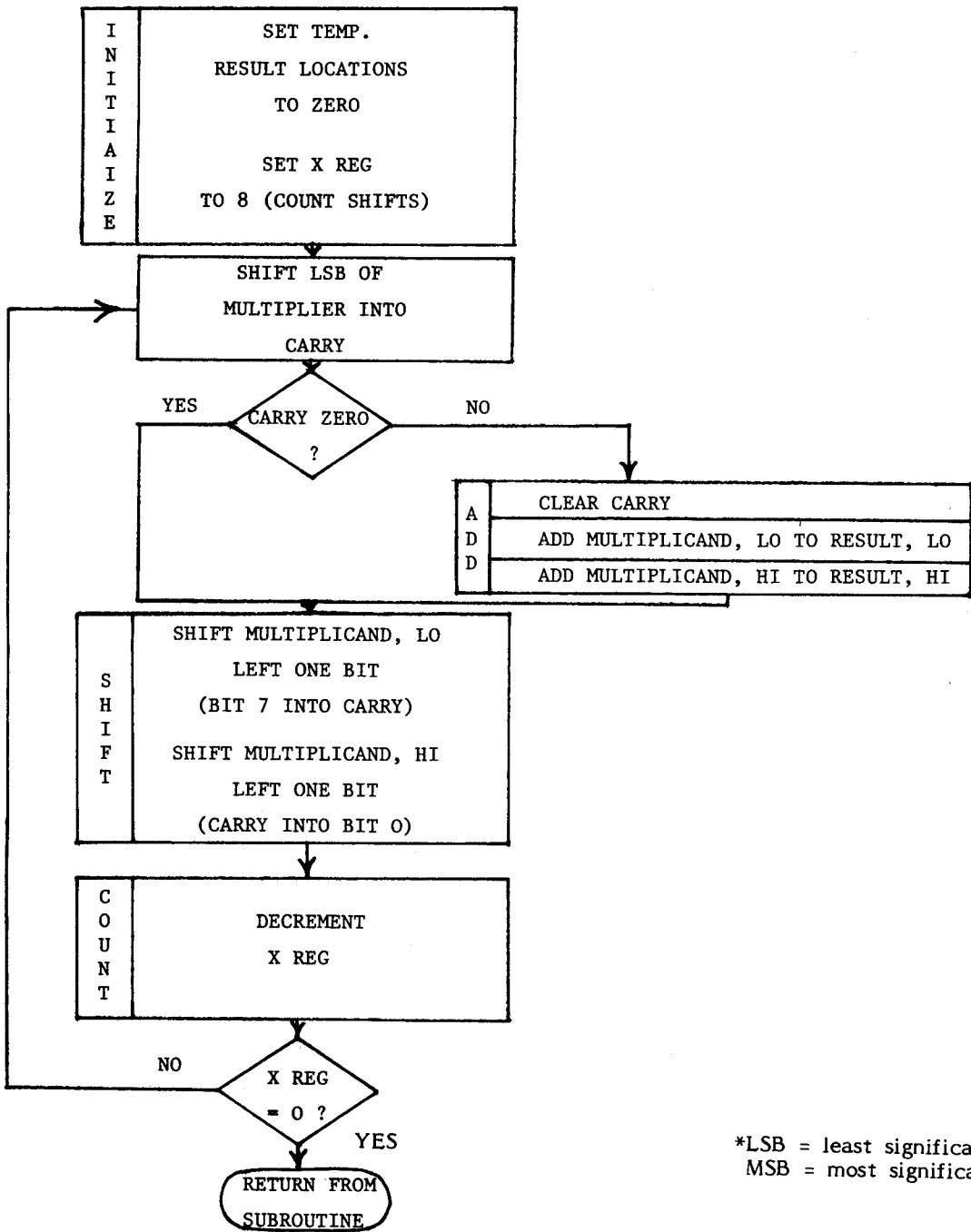
Computers, of course, can "remember" an arbitrarily large table. But the table for the problem at hand would have $FFFF$ entries, which is far too many for practicality.

Humans solve the problem by breaking the multiplication down into smaller steps. We multiply one factor, one digit at a time, by each digit of the other factor in turn. Then we shift some of the partial products to the left and add:

$$\begin{array}{r} 22 \\ \times 13 \\ \hline 66 \\ 22 \\ \hline 286 \end{array}$$

We would multiply the binary equivalents of the numbers the same way:

$$\begin{array}{r} 10110 \\ \times 1101 \\ \hline 10110 \\ 0 \\ \hline 10110 \\ 10110 \\ \hline 10001110 \end{array}$$



*LSB = least significant Bit
MSB = most significant Bit

Figure 6-6. GENERAL MULTIPLICATION FLOWCHART

A little figuring will verify that the result is correct. Note that the "tables" for multiplying binary numbers by a single digit are very simple -- a number times one is itself; a number times zero is zero. We can multiply, then, by using a series of additions and shifts, as shown in the flow chart below. The first factor is eight bits long; the second is extended to two bytes (the high-order byte is zero), and the result goes into two bytes set initially to zero. The flowchart in Figure 6-6 is general and not suitable for direct coding.

This procedure could be coded quite easily. Each bit test on the first factor could be made with a different mask as shown in the previous example. Note, however, that the same basic set of instructions is repeated eight times, wasting memory space. A more efficient routine would loop over the same code eight times.

The more efficient routine could also use eight masks, but there's a simpler way. Simply shift the factor to the left once per addition. The bit to be tested will wind up in the CARRY indicator, and we can simply test that. Figure 6-7 is a more formal flowchart of the multiply routine as it is coded that it includes the coding details. The coding chart is shown in Figure 6-8.

Testing

The listing below shows one way to key in the program. The code occupies the RAM space from 200 to 222 Hex. The factor come from locations 21 and 22; the product goes to locations 23 and 24.

Note that the original factors are destroyed by the routine. If it is necessary to preserve them for other subroutines, simply copy them into unused memory locations and perform the multiplication on the copies.

Division

Try to write a parallel routine for performing integer division that divides a two-byte quotient and a two-byte remainder. You may wish to test the remainder and, if its MSB is one, round the result by incrementing the quotient.

Arithmetic

The examples given so far show some basic integer arithmetic techniques. They may be expanded easily for double-precision operation. (Multiply two bytes by two bytes for a four-bit product. Use double-precision addition and fifteen shifts instead of seven.)

MULTIPLIER = P

MULTIPLICAND = Q

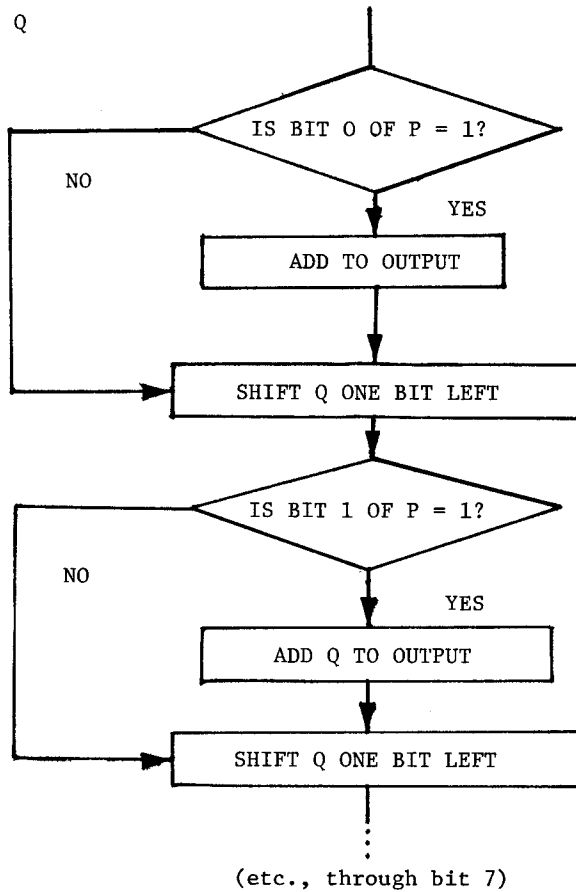


Figure 6-7. DETAILED MULTIPLICATION FLOWCHART



PROGRAM _____

PROGRAMMER _____

DATE _____

SINGLE - PRECISION MULTIPLY ROUTINE

ADDR	INSTRUCTIONS			LABEL	MNEMONIC	OPERAND	COMMENTS
	B1	B2	B3				
200	A9	00		MULTI	LDA	#0	ZERO ACCUMULATOR
202	B5	20			STA	INH1 (20)	SET TEMPORARY STORAGE LOCATION (20) TO ZERO
204	B5	23			STA	OUTLO (23)	" LOW BYTE RESULT " (23) " "
206	B5	24			STA	OUTH1 (24)	" HIGH " " " (24) " "
208	A2	08			LDX	#8	SET X TO 8 TO COUNT SHIFTS
20A	A6	22		MORE	LSR	INZ (22)	SHIFT FACTOR RIGHT
20C	90	0D			BCC	ZERBIT (1D)	IF CARRY = 0 SKIP ADDITION, GO TO ZERBIT
20E	18				CLC		CLEAR CARRY
20F	A5	23			LDA	OUTLO	GET LOW BYTE ASSEMBLED SO FAR
211	65	21			ADC	INI	ADD CURRENT TERM
213	B5	23			STA	OUTLO	SAVE UPDATED LOW BYTE
215	A5	24			LDA	OUT HI	GET HIGH BYTE ASSEMBLED SO FAR
217	65	20			ADC	TEMPHI	ADD CURRENT TERM
219	B5	24			STA	OUTH1	SAVE UPDATED HI BYTE
21B	06	21		ZERBIT	ASL	INI	SHIFT LEFT FOR NEXT ADDITION
21D	26	20			ROL	INH1	SHIFT HIGH BYTE LEFT (ENTER CARRY)
21F	CA				DEX		DECREMENT INDEX REGISTER (COUNT ADDS)
220	DD	E8			BNE	MORE	IF X > 0, GO BACK AND DO NEXT ADD
222	60				RTS		DONE; GO BACK TO CALLING ROUTINE

Figure 6-8. SINGLE-PRECISION MULTIPLY ROUTINE

CHAPTER 7

OSCILLOSCOPE OUTPUT FEATURE

7.1 INTRODUCTION

Your SYM-1 module is hardware-equipped to allow you to use an ordinary oscilloscope as a display device. In this section, we will describe the hardware and connections between the system and the oscilloscope and also provide a listing of a software driver for this output. This listing is just one way of handling the oscilloscope output; you may wish to modify it or develop your own.

7.2 OPERATION OF OSCILLOSCOPE OUTPUT

The circuitry shown in the detail on the schematic (Figure 4-9) enables the SYM to output alphanumeric characters to an oscilloscope. The circuitry is adapted from a published schematic and was included on the SYM to help relieve the bottleneck found on most single-board computers, i.e., the 7 segment displays. Many things can be done with the scope-out circuit, like displaying alphanumeric characters, bar graphs, and game displays. The alphanumeric output is usually organized as 16 or 32 characters, each character being a 5-by-7 dot matrix. The characters could be English, Greek or Cuneiform, or could even be stick-men, cars, dog houses, or laser guns.

The "video" signal from the collector of Q10, is 3V peak-to-peak with a cycle time of about 50 ms (using the suggested software driver included in section 7.3). The sync pulse which begins the line should synchronize all triggered sweep scopes and most recurrent sweep scopes. In the driver which follows, sync could be brought out on a separate pin by replacing the code from SYNC to CHAR with a routine that would output a pulse on PB4 or some other output line.

7.2.1 Connection Procedures

Connect the oscilloscope vertical input to pin R on connector AA ("scope out") and connect scope ground to pin 1 of connector AA (SYM ground). Start the software and adjust the scope for the stable 32-character display. If the sync pulse was output on PB4, connect the scope's trigger to pin 4 of connector AA.

7.2.2 Circuit Operation

The operation of the circuit is simple. Basically, the circuit is a sawtooth waveform generator whose output is sometimes the sawtooth and sometimes ground. The sawtooth is generated by the current source, Q9-Q17-R42-R43, charging C9. When C9 gets up to about 3V the discharge path, Q19-Q18-R41-R44, shorts it back to ground due to a pulse sent out by CA-2. The sawtooth waveform is shown below and forms the columns of the display.



By pulling the sawtooth to ground with Q10 any columns or portions thereof can be "removed" from the display. The result of this can be seen below:



The sawtooth is pulled to ground by bringing CB-2 high.

Because Q10 in the "ON" state will cause loading of C9 (thru R45) and C9 will charge a little more slowly, the time for a "dark" column should be slightly longer than for a "light" column.

If more than 8 vertical dots are desired, the charging rate of C9 must be slowed by lowering the charging current. R42 controls the charging current and can be increased up to about 10K before the loading effects of R45 get completely out of hand.

7.3 USING OUR SOFTWARE

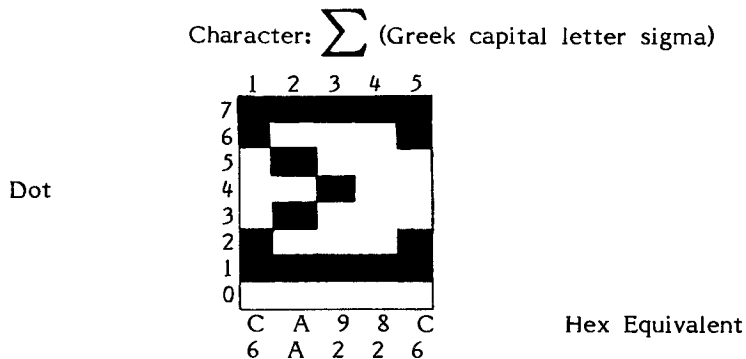
The program listing in Table 7-1 is one way of handling oscilloscope output. After entering the program and character table and attaching an oscilloscope to the scope output, enter the following commands:

	Comments
<u>.SD 500, A670(CR)</u>	Change SCANVEC. (DISPLAY GOES BLANK)
<u>.SD 58C, A664(CR)</u>	Change OUTVEC.
<u>.SD 560, A661(CR)</u>	Change INVEC.

Now enter any stream of characters from the HKB to fill SCPBUF.

Put the scope input on AC couple and the trigger on DC couple. Adjust the time base, attenuation, and trigger until the display becomes readable. If your screen is very small, you may wish to change the number of characters per line by adjusting the value at location \$0506.

Example: Creating translation table for scope driver.



Each byte corresponds to a single column, with each bit corresponding to a single dot.

sigma = \$C6, \$AA, \$92, \$82, \$C6

Bit 0 is always 0 to raise the character off of the Ground line.

Table 7-1. OSCILLOSCOPE OUTPUT DRIVER SOFTWARE LISTING

LINE #	LOC	CODE	LINE	
0002	0000			‡ SCOPE LINE DRIVER 05/01/78
0003	0000			‡ USES CHARACTER SET IN TABLE SYMBLS
0004	0000			‡ 5 BYTES PER CHAR
0005	0000			‡ ENTRY 'LINE' IS ANALOGOUS TO 'SCAND'
0006	0000			‡ BELOW ROUTINES HKEY AND HROUT INTERFACE TO HEX KB
0007	0000			‡ CHAR SET PROVIDED IS FOR HEX KB
0008	0000			‡ AND RELATED TO ASCII TABLE IN MONITOR ROM
0009	0000			‡ THIS DRIVER CAN ACCESS A MAX OF 51 CHARS
0010	0000			TXTSHV =#\$A06
0011	0000			SCNVEC =#\$A66F
0012	0000			GETKEY =#\$88AF
0013	0000			KEYQ =#\$8923
0014	0000			SAVER =#\$8188
0015	0000			BEEFP3 =#\$8975
0016	0000			ASCIM1 =#\$8BEE
0017	0000			RESALL =#\$81C4
0018	0000			PCR3 =#\$AC0C ‡CA2,CB2 = SCOPE
0019	0000			TXTCTR =#\$03FE
0020	0000			COLCTR =#\$03FF
0021	0000			TEXT =#\$A600 ‡SCOPE BUFFER IN SYS RAM
0022	0000			SYMBLS =#\$0400 ‡CHARACTER TABLE
0023	0000			*=#\$500
0024	0500	A9 EE	LINE	LDA #\$EE ‡DISCHARGE CAP
0025	0502	8D 0C AC		STA PCR3
0026	0505	A9 21		LDA #32+1 ‡# CHARS PER LINE
0027	0507	8D FE 03		STA TXTCTR
0028	050A	A9 CC	SYNC	LDA #\$CC ‡CHARGE CAP FOR SYNC
0029	050C	8D 0C AC		STA PCR3
0030	050F	A2 EA	LDLY	LDX #\$EA ‡LONG DELAY !
0031	0511	CA		DEX
0032	0512	D0 FC		BNE LDLY+1
0033	0514	CE FE 03	CHAR	DEC TXTCTR ‡LOOP HERE FOR CHAR
0034	0517	AE FE 03		LDX TXTCTR
0035	051A	D0 03		BNE POIMFG
0036	051C	4C 23 89	EXIT	JMP KEYQ ‡SCAN KB AND RETURN
0037	051F			‡
0038	051F	BD FF A5	POIMFG	LDA TEXT-1,X ‡POINTER MANUFACTURER
0039	0522	0A		ASL A ‡PTR X 4 + PTR
0040	0523	0A		ASL A
0041	0524	18		CLC
0042	0525	7D FF A5		ADC TEXT-1,X ‡MULT'PY BY 5
0043	0528	AA		TAX
0044	0529	A9 06		LDA #6
0045	052B	8D FF 03		STA COLCTR
0046	052E	A9 EE	COLUMN	LDA #\$EE ‡LOOP HERE FOR COL'S
0047	0530	8D 0C AC		STA PCR3 ‡DISCHARGE CAP
0048	0533	CE FF 03		DEC COLCTR
0049	0536	30 DC		BMI CHAR ‡BRANCH IF DONE W/6 COL'S
0050	0538	D0 02		BNE COLUP
0051	053A	A2 00		LDX #0 ‡INTER CHAR SPACE
0052	053C	A9 EC	COLUP	LDA #\$EC ‡START RAMP UP ...
0053	053E	8D 0C AC		STA PCR3 ‡... BUT HOLD DOT DOWN
0054	0541	E8		INX ‡NEXT COL
0055	0542	8A		TXA ‡SAVE X
0056	0543	48		PHA

Table 7-1. OSCILLOSCOPE OUTPUT DRIVER SOFTWARE LISTING (Continued)

LINE #	LOC	CODE	LINE	
0057	0544	BD FF 03		LDA SYMBLS-1,X ;GET COL
0058	0547	A0 08		LDY #8 ;COUNT DOTS
0059	0549	88	DOT	DEY
0060	054A	30 0F		BMI CLEAN
0061	054C	4A		LSR A ;NEXT DOT IN CARRY
0062	054D	B0 04		BCL LIGHT ;C SET = LIGHT, C CLEAR = DAR
0063	054F	A2 EC	DARK	LDX ##EC ;PULL OUTPUT LOW
0064	0551	D0 02		BNE *+4
0065	0553	A2 CC	LIGHT	LDX ##CC ;OUTPUT FOLLWS RAMP UP
0066	0555	8E 0C AC		STX PCR3
0067	0558	4C 49 05		JMP DOT
0068	055B	68	CLEAN	PLA ;RESTORE X
0069	055C	AA		TAX
0070	055D	4C 2E 05		JMP COLUMN
0071	0560			;
0072	0560			;
0073	0560	20 AF 88	HKEY	JSR GETKEY ;GET KEY + ECHO TO SCOPE
0074	0563	20 88 81	SCPDPSP	JSR SAVER ;FILL SCPBUF FROM ASCII IN A
0075	0566	29 7F		AND ##7F
0076	0568	C9 07		CMP ##07 ;BELL?
0077	056A	D0 03		BNE NBELL
0078	056C	4C 75 89		JMP BEEPP3
0079	056F			; SEARCH ASCII TABLE IN MONITOR ROM
0080	056F	A2 36	NBELL	LDX ##36
0081	0571	DD EE 8B	QUO2	CMP ASCIM1,X
0082	0574	F0 06		BEQ GOTX
0083	0576	CA		DEX
0084	0577	D0 F8		BNE QUO2
0085	0579	4C C4 81		JMP RESALL ;NOT IN TABLE
0086	057C	CA	GOTX	DEX
0087	057D	8A		TXA
0088	057E	C9 0B		CMP ##0B ;TABLE NOT CONTINUOUS
0089	0580	90 03		BCC GOOD
0090	0582	38		SEC
0091	0583	E9 05		SBC #5 ;ADJUST DISCONTINUITY
0092	0585	CA	GOOD	DEX
0093	0586	20 06 8A		JSR TXTSHV ;SHOVE SCPBUF DOWN
0094	0589	4C C4 81		JMP RESALL
0095	058C	20 63 05	HDOUT	JSR SCPDPSP ;CHAR TO SCPBUF AND SINGLE SC
0096	058F	4C 6F A6		JMP SCNVEC
0097	0592			.END

Table 7-1. OSCILLOSCOPE OUTPUT DRIVER SOFTWARE LISTING (Continued)

```

;
; 8X5 MATRIX CHAR SET FOR SCOPE LINE DRIVER
; CONTAINS ALL HEX KB CHARS
; FIRST BYTE OF TABLE MUST BE 00
; EACH CHAR : FIRST BYTE = LEFTMOST COLUMN,
;             MSB = TOP DOT, LSB = 0, BIT 1 = BOTTOM DOT
;
*=$400 ;PAGE 4 ALLOCATED TO CHARACTER SET
.BYT $00,$7C,$92,$A2,$7C ;ZERO
.BYT $00,$42,$FE,$02,$00 ;ONE
.BYT $4E,$92,$92,$92,$62 ;TWO
.BYT $44,$82,$92,$92,$6C ;THREE
.BYT $18,$28,$48,$FE,$08 ;FOUR
.BYT $E4,$A2,$A2,$A2,$9C ;FIVE
.BYT $3C,$52,$92,$92,$0C ;SIX
.BYT $86,$88,$90,$A0,$C0 ;SEVEN
.BYT $6C,$92,$92,$92,$6C ;EIGHT
.BYT $60,$92,$92,$94,$78 ;NINE
.BYT $3E,$50,$90,$50,$3E ;A
.BYT $00,$1E,$86,$4A,$32 ;C/R
.BYT $10,$10,$10,$10,$10 ;DASH
.BYT $82,$44,$28,$10,$00 ;RIGHT ARROW
.BYT $FE,$FE,$FE,$FE,$FE ;SH
.BYT $7C,$82,$82,$8A,$4E ;G
.BYT $FE,$90,$98,$94,$62 ;R
.BYT $FE,$40,$30,$40,$FE ;M
.BYT $FE,$02,$02,$02,$02 ;L2
.BYT $44,$A2,$92,$8A,$44 ;S2
.BYT $80,$80,$80,$80,$80 ;U0
.BYT $02,$02,$02,$02,$02 ;U1
.BYT $82,$82,$82,$82,$82 ;U2
.BYT $FE,$00,$00,$00,$00 ;U3
.BYT $FE,$00,$00,$00,$FE ;U4
.BYT $1E,$12,$12,$12,$1E ;U5
.BYT $F0,$90,$90,$90,$F0 ;U6
.BYT $80,$80,$80,$80,$F0 ;U7
.BYT $04,$02,$02,$02,$FC ;J
.BYT $E0,$18,$06,$18,$E0 ;V
.BYT $FF,$FF,$FF,$FF,$FF ;ASCII
.BYT $FE,$92,$92,$92,$6C ;B
.BYT $7C,$82,$82,$82,$44 ;C
.BYT $FE,$82,$82,$82,$7C ;D
.BYT $FE,$92,$92,$82,$82 ;E
.BYT $FE,$90,$90,$80,$80 ;F
.BYT $44,$A2,$92,$8A,$44 ;SD
.BYT $10,$10,$7C,$10,$10 ;+
.BYT $00,$10,$28,$44,$82 ;<
.BYT $00,$00,$00,$00,$00 ;SH
.BYT $FE,$02,$02,$02,$02 ;LP
.BYT $44,$A2,$92,$8A,$44 ;SP
.BYT $FE,$04,$08,$04,$FE ;W
.BYT $FE,$02,$02,$02,$02 ;L1
.BYT $44,$A2,$92,$8A,$44 ;S1
.BYT $00,$06,$06,$00,$00 ;DECIMAL
.BYT $00,$00,$00,$00,$00 ;BLANK
.BYT $40,$80,$8A,$90,$60 ;QUESTION
.BYT $FE,$90,$90,$90,$60 ;P
.END

```

CHAPTER 8

SYSTEM EXPANSION

This chapter discusses the means by which you can expand your SYM-1 microcomputer system by adding memory and peripheral devices to its basic configuration. By now, you realize that data access, whether from RAM, PROM or ROM is a function of addressing interface devices (i.e., 6522's and 6532). Hardware has been built into your SYM-1 module to allow large-scale expansion of the system. A thorough understanding of the SYM-1 System Memory Map (Figure 4-10) will aid considerably in understanding how to expand your system.

8.1 MEMORY EXPANSION

Your SYM-1 module comes equipped with 1K of on-board RAM. It also contains all address decoding logic required to support an additional 3K on-board with no changes by you. In other words, to add 3K of on-board RAM, all you need to do is purchase additional SY2114 devices and plug them into the sockets provided on your board. Your PC board is marked for easy identification of 1K memory blocks. R0 equals the lower 1K block and R3 equals the upper 1K block. LO means low order data lines (D0-D3) and HI means high order data lines (D4-D7).

You will recall that the lowest 8K memory locations are defined by an address decoder included on your SYM-1 module (a 74LS138). The eight outputs of this decoder ($\overline{00}$ - $\overline{1C}$) each define a 1K block of addresses in the lowest 8K of the Memory Map. Four of the outputs ($\overline{00}$, $\overline{04}$, $\overline{08}$, $\overline{0C}$) are used to select the on-board static RAM. The remaining four outputs ($\overline{10}$, $\overline{14}$, $\overline{18}$, $\overline{1C}$) are used to interface to the Application Connector (Connector "A"), where you can use them to add another 4K of off-board memory. Again, no external decoding logic is required. By this simple means, you can convert your SYM-1 module into an 8K device quickly. Figure 8-1 shows you how to interface these decode lines at the connector for your SYM-1 system.

To go beyond this 8K size, conceivably up to the maximum 65K addressability limit of the SYM CPU, you could build or buy an additional memory board with on-board decoding logic. In this case, you will use the Expansion Connector (Connector "E") in a manner shown schematically in Figure 8-2. Note that the three high-order address bits (AB13-AB15) not used in the earlier expansion are brought to this connector as shown. These are then used with a decoder to create outputs $\overline{M0}$ through $\overline{M7}$, which in turn are used to select and de-select additional decoders (line receivers). You need add only as many decoders (one for each 8K block of memory) as you need for the expansion you require.

Incidentally, the line receivers shown in Figure 8-2 are provided for electrical reasons. There are loading limitations on the address bus lines of the 6502 CPU, which require the insertion of these receivers. (For your information, each 6502 address line is capable of driving one standard TTL load and 130pf of capacity.)

You should make a careful study of the loading limitations of the required SYM-1 lines before deciding on memory expansion size and devices. It is likely you will want to use additional buffer circuits to attain "cleaner" operation of your expanded memory in conjunction with your SYM-1 system.

4K MEMORY EXPANSION

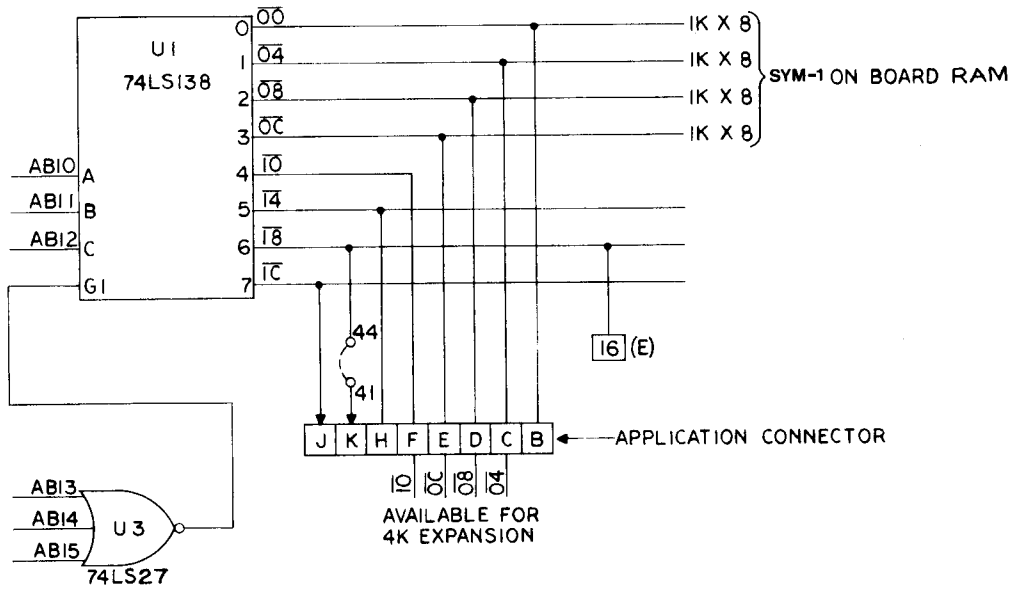


Figure 8-1. 4K MEMORY EXPANSION

MEMORY I/O EXPANSION TO 65K

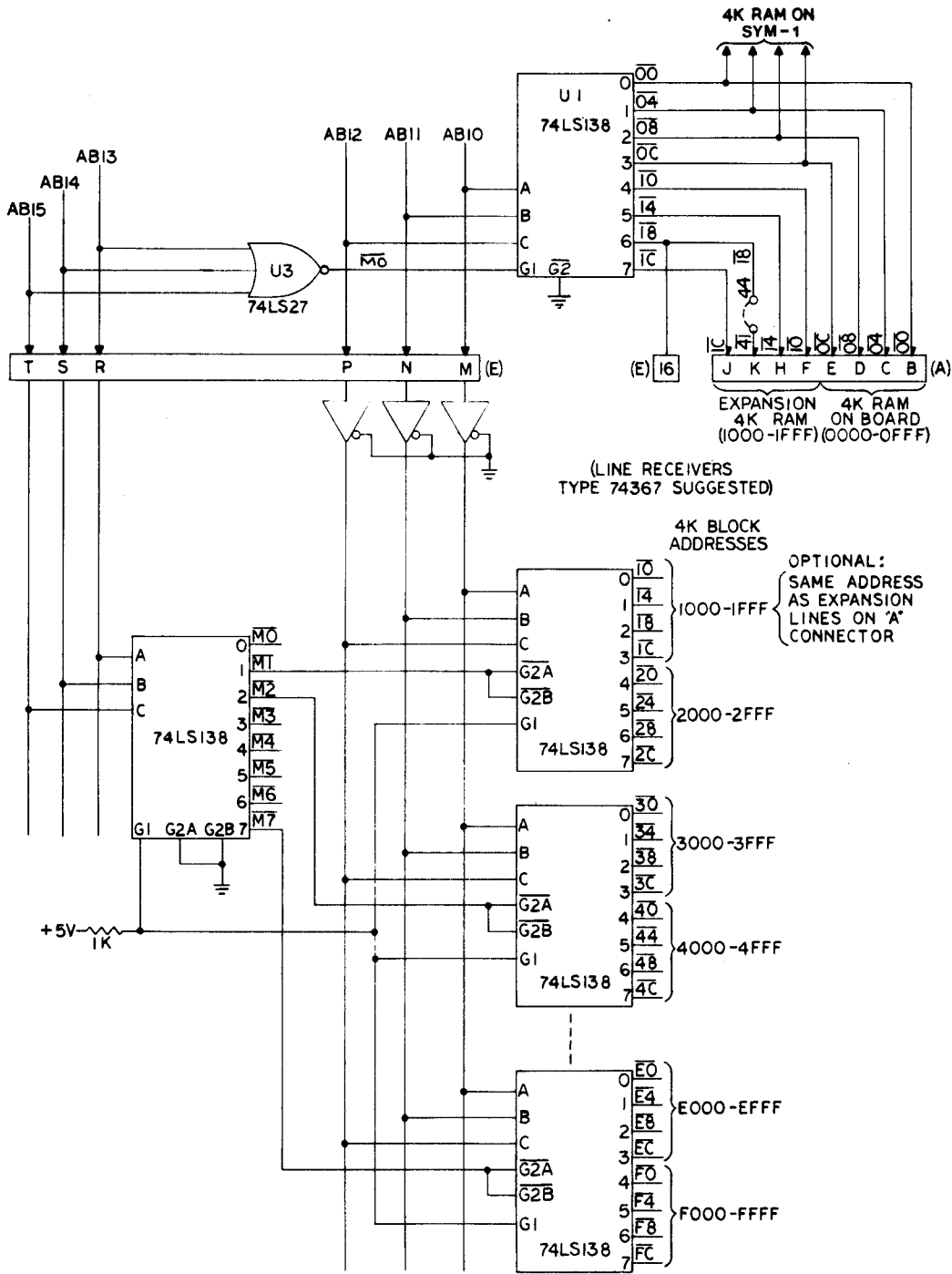


Figure 8-2. MEMORY - I/O EXPANSION TO 65K

8.2 PERIPHERAL EXPANSION

As you already know, the SYM-1 microcomputer system includes 51 I/O lines. This means, theoretically, that you could drive as many as 51 peripheral lines (plus 4 control lines) with your SYM-1.

Using either Application Connector ("A" or "AA"), you can add most commercially available printers or other devices requiring parallel interfaces, although you will have to create your own software driver for the printer. Since the provision of that driver is, to some extent, dependent upon the printer you purchase, we do not attempt to discuss the implementation of the software in this manual.

You can expand your SYM-1 system's peripheral I/O capability easily and quickly merely by installing an additional SY6522 in the socket provided for that device. This will give you 16 additional on-board data lines with no requirement for additional work (beyond the software driver) on your part. To go beyond that level, you must use the Expansion Port (Connector "E") described earlier.

Again, we emphasize that the proper understanding and use of the Memory Map in Figure 4-10 will allow you to use your imagination in expanding the I/O capability of your SYM-1 system. Its flexibility is extremely broad and the fact that all I/O and memory are handled as an addressing function allows you expandability to the full capability of the 6502 CPU itself.

CHAPTER 9

ADVANCED MONITOR AND PROGRAMMING TECHNIQUES

This chapter contains information which you will find useful as you explore the more sophisticated capabilities of your versatile SYM-1 microcomputer system. As we have pointed out many times, the SYM-1 is the most flexible and expandable monitor of its kind. The SUPERMON monitor uses transfer vectors and other techniques to allow you to modify its operation, and these are provided in detail in this chapter. In addition, the extended use of debug and trace facilities, which are invaluable tools as your programming skill advances, are explained. The use of the Hex keyboard provided on your SYM-1 for configurations using a printer (or other serial device) without a keyboard is also described. And last, an example and discussion of extending SUPERMON's command repertoire.

9.1 MONITOR FLOW

SUPERMON is the 4K byte monitor program supplied with your SYM-1. It resides in locations 8000-8FFF on a single ROM chip. It shares the stack with user programs and uses locations 00F8-00FF in Page Zero. In addition, it uses locations A600-A67F (RAM on the 6532), which are referred to as 'System RAM'. Since these locations are dedicated to monitor functions SUPERMON write protects them before transferring control to user programs.

The flowcharts in Figures 9-1 through 9-5 will demonstrate the major structure of SUPERMON. You will notice that GETCOM (and its entry, PARM), DISPAT, and ERMSG are subroutines, and therefore available for your programs' use. Note that a JSR to ACCESS to remove write protection from System RAM is necessary before using most monitor routines. Also, notice that the unrecognized command flow (error) is vectored. Thus, you can extend the monitor with your own software.

9.2 MONITOR CALLS

SUPERMON contains many subroutines and entry points which you will want to use in order to save memory and code and avoid duplication of effort. Table 9-1 is a summary of calls and their addresses.

The three calls which you will most commonly use are:

JSR	ACCESS	(address 8B86)	(must be called before using LED display)
JSR	INCHR	(address 8A1B)	
JSR	OUTCHR	(address 8A47)	

ACCESS is used to unwrite-protect system RAM. In performing the input/output, these routines save all registers and use INVEC and OUTVEC, so all you need be concerned with when using them are the ASCII characters passed as arguments in the accumulator.

9.3 MONITOR CALLS, ENTRIES AND TABLES

Table 9-1, which occupies the next several pages of this Chapter, provides you with a comprehensive list of important subroutine symbolic names, addresses, registers and functions of SUPERMON monitor calls, entry points and tables. With this data, you can more easily utilize SUPERMON to perform a wide variety of tasks. All (except those marked with an asterisk) are callable by JSR.

Table 9-1. MONITOR CALLS, ENTRIES AND TABLES

<u>NAME</u>	<u>ADDRESS</u>	<u>REGISTERS ALTERED</u>	<u>FUNCTION (S)</u>
*MONITR	8000		Cold entry to monitor. Stack, D flag initialized, System RAM unprotected.
*WARM	8003		Warm entry to monitor
USRENT	8035		User pseudo-interrupt entry - saves all registers when entered with JSR. Displays PC and code 3. Passes control to monitor.
SAVINT	8064	ALL	Saves registers when called after interrupt. Returns by RTS.
DBOFF	80D3	A,F	Simulates depressing debug off key.
DBON	80E4	A,F	Simulates depressing debug on key.
DBNEW	80F6	A,F	Release debug mode to key control.
GETCOM	80FF	A,F	Get command and 0-3 parameters. No error: A=0D (carriage return) Error: A contains erroneous entry.
DISPAT	814A	A,F	Dispatch to execute blocks. Dispatch to URCVEC if error. At return, if error: Carry set, A contains byte in error.
ERMSG	8171	F	If Carry set, print (CR)ER NN, where NN is contents of A.
SAVER	8188	None	Save all registers on stack. At return, stack looks like: F (See paragraph 9.9) A X Y
*RESXAF	81B8	restored	Jumped to after SAVER, restore registers from stack <u>except</u> A,F unchanged, perform RTS.
*RESXF	81BE	restored	Jumped to after SAVER, restore registers from stack <u>except</u> F unchanged, perform RTS.
*RESALL	81C4	restored	Jumped to after SAVER, restore <u>all</u> registers from stack, perform RTS.
INBYTE	81D9	A,F	Get 2 ASCII Hex digits from INCHR and pack to byte in A. If Carry set, V clear, first digit non-Hex. If Carry set, V set, second digit nonHex. N and Z reflect compare with carriage return if Carry set.

*Do not enter by JSR.

Table 9-1. MONITOR CALLS, ENTRIES AND TABLES (Continued)

<u>NAME</u>	<u>ADDRESS</u>	<u>REGISTERS</u>	<u>FUNCTION (S)</u>
PSHOVE	8208	X,F	Shove Params down 16 bits; Move: P2 to P1 P3 to P2 zeros to P3
PARM	8220	A,F	Get 0 to 3 parameters. Return on (CR) or error. A contains last character entered. Flags reflect compare with (CR).
ASCNIB	8275	A,F	Convert ASCII character in A to 4 bits in LO nibble of A. Carry set if non-Hex.
OUTPC	82EE	A,X,F	Print user PC. At return, A=PCL, X=PCH.
OUTXAH	82F4	F	Print X,A (4 Hex digits)
OUTBYT	82FA	F	Print A (2 Hex digits)
NIBASC	8309	A,F	Convert LO nibble of A to ASCII Hex in A.
COMMA	833A	F	Print comma.
CRLF	834D	F	Print (CR) (LF) .
DELAY	835A	F	Delay according to TV. (Relation is approximately logarithmic, base=2). Result of INSTAT returned in Carry.
INSTAT	8386	F	If key down, wait for release. Carry set if key down. (Vectored thru INSVEC)
GETKEY	88AF	A,F	Get key from Hex keyboard (more than one if SHIFT or ASCII key used) return with ASCII or HASH code in A. Scans display while waiting (vectored through SCNVEC).
HDOUT	8900	A,X,Y,F	ASCII character from A to Hex display, scan display once, return with Z=1 if key down.
KEYQ	8923	A,F	Determine if key down on Hex keyboard. If down, then Z=1 . $Z = 0 \text{ AND } N = 1$.
KYSTAT	896A	A,F	Determine if key down. If down, then Carry set.
BEEP	8972	None	BEEP on-board beeper.
HKEY	89BE	A,F	Get key from Hex keyboard and echo in DISBUF. ASCII returned in A. Scans display while waiting (vectored thru SCNVEC)

*Do not enter by JSR

Table 9-1. MONITOR CALLS, ENTRIES AND TABLES (Continued)

<u>NAME</u>	<u>ADDRESS</u>	<u>REGISTERS</u>	<u>FUNCTION (S)</u>
OUTDSP	89C1	None	Convert ASCII in A to segment code, put in DISBUF.
TEXT	8A06	F	Shove scope buffer down, push A onto SCPBUF.
INCHR	8A1B	A,F	Get character (vectored thru INVEC). Drop parity, convert to upper case. If character CTL O (0F), toggle Bit 6 of TECHO and get another.
NBASOC	8A44	A,F	Convert low nibble of A to ASCII, output (vectored thru OUTVEC).
OUTCHR	8A47	None	Output ASCII from A (vectored thru OUTVEC). Output inhibited by Bit 6 of TECHO.
INTCHR	8A58	A,F	Get character from serial ports. Echo inhibited by Bit 7 of TECHO. Baud rate determined by SDBYT. Input, echo masked with TOUTFL.
TSTAT	8B3C	A,F	See if break key down on terminal. If down, then Carry set.
*RESET	8B4A	All	Initialize all registers, disable POR, stop tape, initialize system RAM to default values, determine input on keyboard or terminal, determine baud rate, cold monitor entry.
*NEWDEV	8B64		Determine baud rate, cold monitor entry.
ACCESS	8B86	None	Un-write protect System RAM.
NACCESS	8B9C	None	Write protect System RAM.
*TTY	8BA7	A,X,F	Set vectors, TOUTFL, and SDBYT for TTY.
*DFTBLK	8FA0	Table	Default block - entirely copied into System RAM (A620 - A67F) at reset.
*ASCII	8BEF	Table	Table of ASCII codes and HASH codes.
*SEGS	8C29	Table	Table of segment codes corresponding to ASCII codes (above).

*Do not enter by JSR

SPACE 8342 NONE PRINTS SPACE.

MAIN MONITOR FLOW

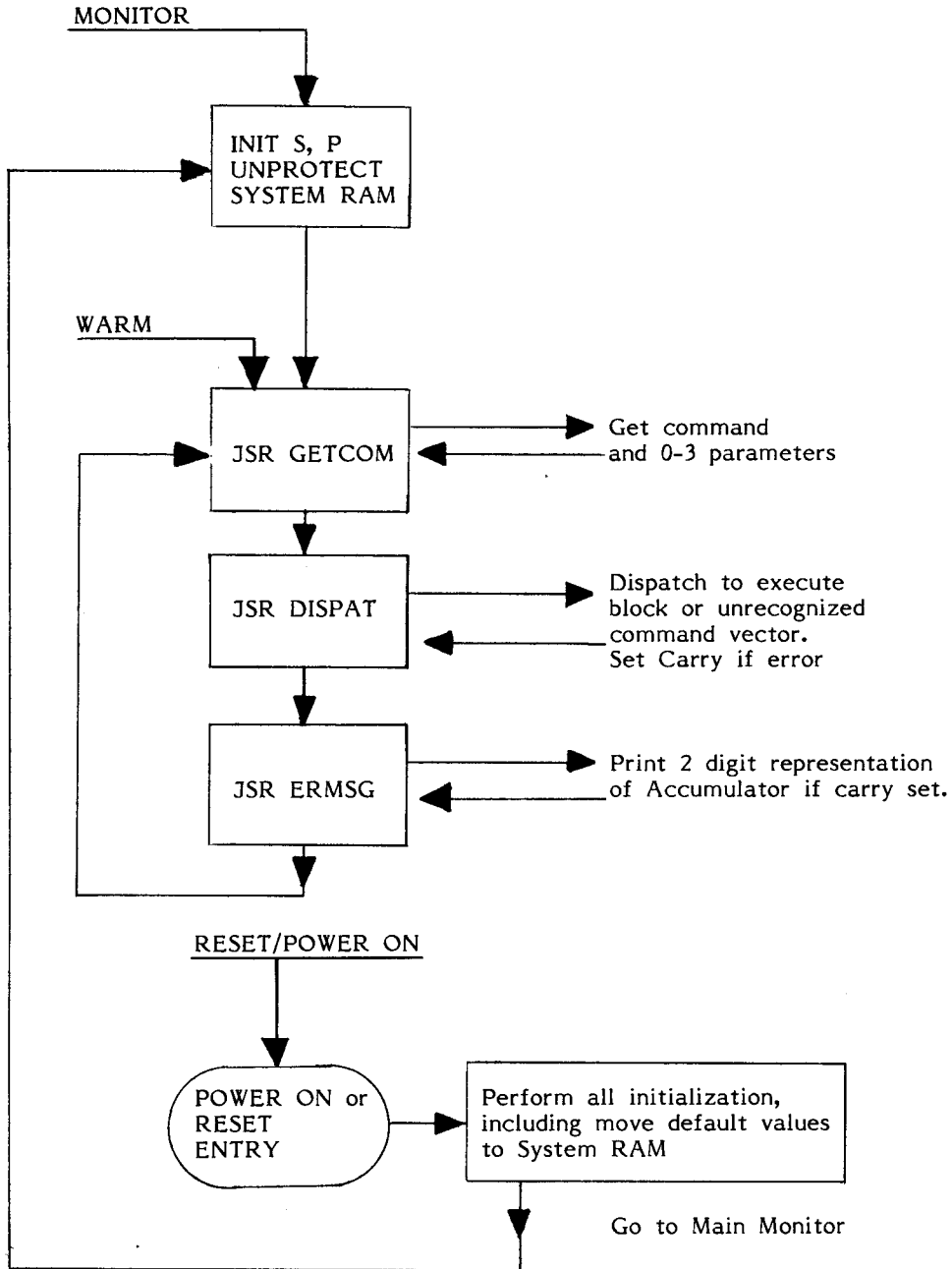


Figure 9-1. MAIN MONITOR FLOW
9-5

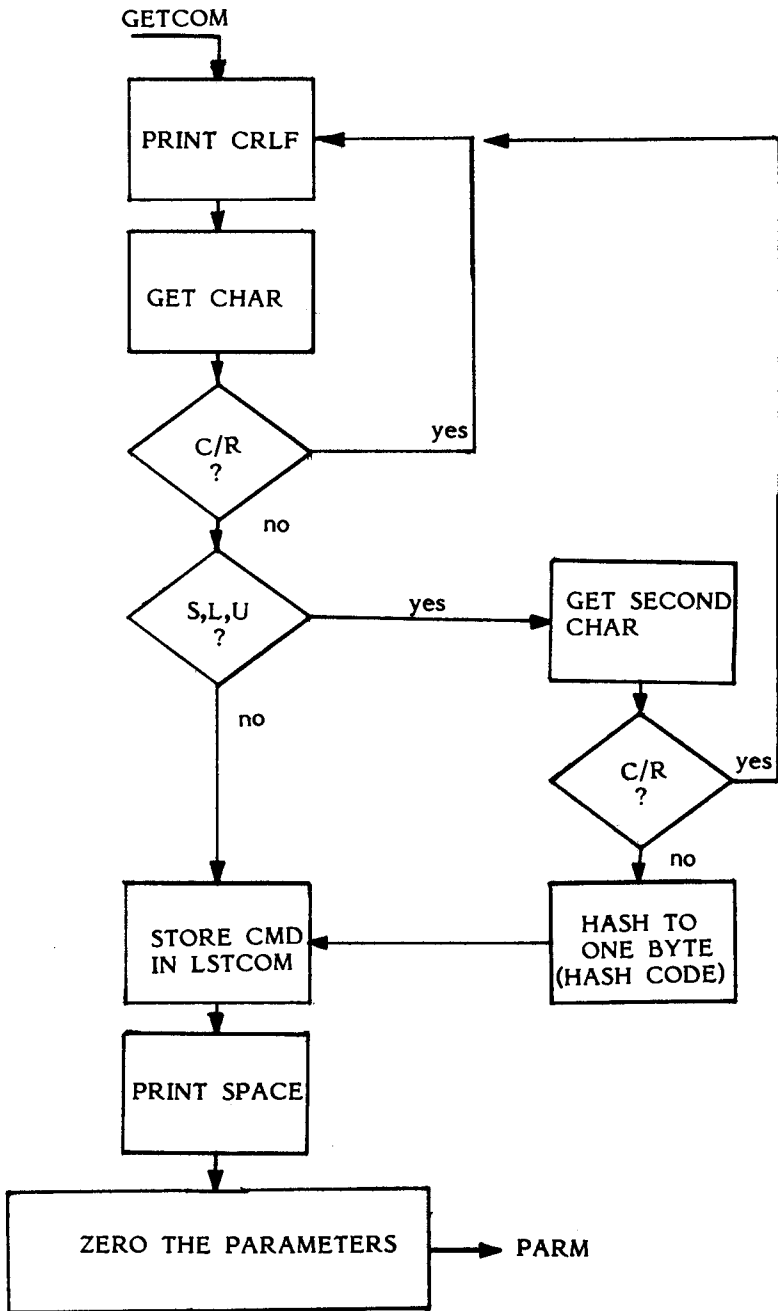


Figure 9-2. GETCOM FLOWCHART

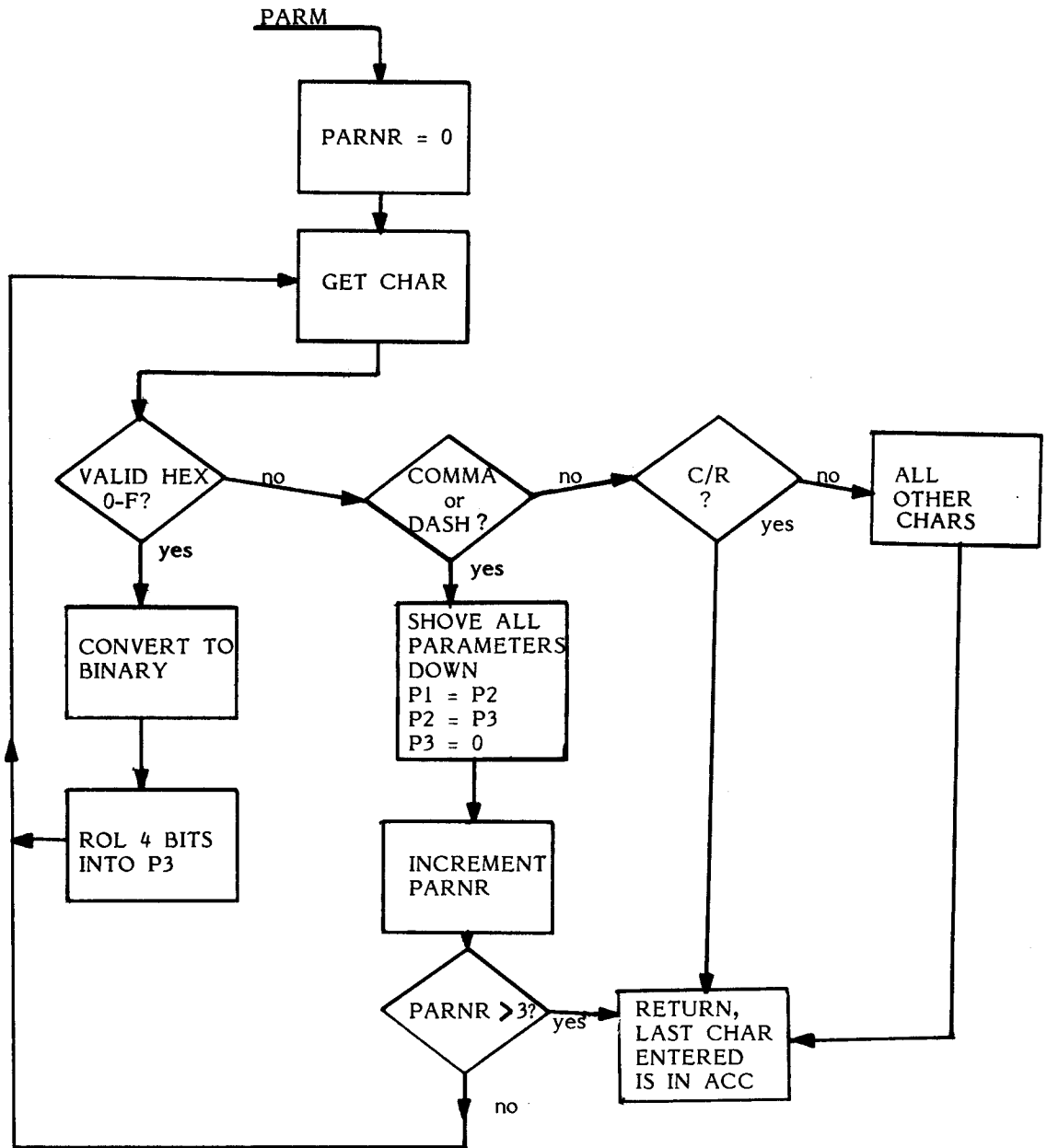


Figure 9-3. PARM FLOWCHART

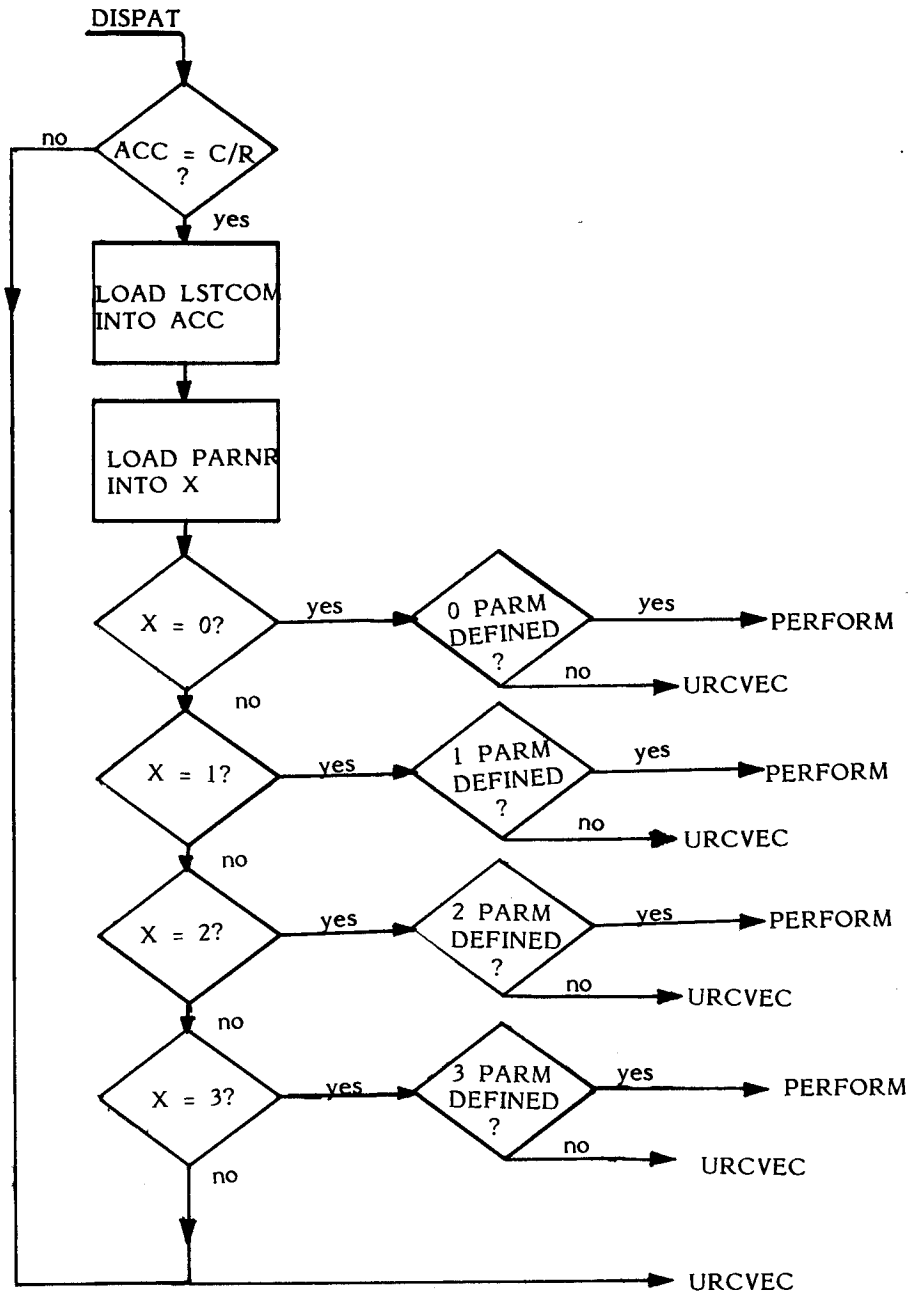


Figure 9-4. DISPAT FLOWCHART

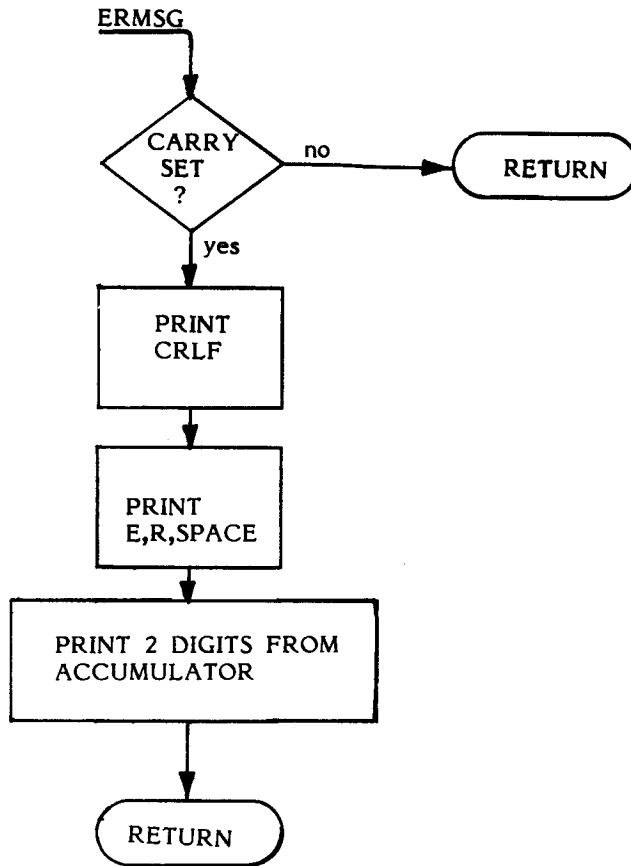


Figure 9-5. ERMSG FLOWCHART

9.4 VECTORS AND INTERRUPTS

A concept which is very important in understanding the SY6502 and SUPERMON is that of a transfer vector. A transfer vector consists of two or three locations at a fixed address in memory. These locations contain an address, or a Hex 4C (**JMP**) and an address. The address is in low-order, high-order byte order.

As an example, consider the function of outputting a character. In some cases, the character is to go to the display, in others to a terminal device. The action required in each case is radically different. It would be inefficient, in code and in time, to make the decision before outputting each character. The solution is a transfer vector. Whenever SUPERMON must output a character, it performs a JSR to OUTCHR. OUTCHR saves all registers, then performs a JSR to OUTVEC (at A663, in System RAM). If you are working at the Hex keyboard OUTVEC will contain a JMP HDOUT. HDOUT is the subroutine which will enter a character, in segment code, into the display buffer. If you are using a TTY or CRT, OUTVEC will contain a JMP TOUT. TOUT is the subroutine which sends a character, one bit at a time, to the serial I/O ports. When HDOUT or TOUT performs an RTS, control passes back to OUTCHR. OUTCHR restores the registers and performs an RTS, returning control to the caller.

Notice that the calling routine need not worry where the output is going. It is all taken care of by OUTCHR and OUTVEC.

When a vector is to be referenced by a JMP Indirect, only two bytes are required. Two-byte vectors are normally used only for interrupts.

An **INTERRUPT** is a method of transferring program control, or interrupting, the processor during execution. There are three interrupts defined on the SY6502:

NMI	--	non-maskable interrupt
RST	--	reset/power-on
IRQ	--	interrupt request

When one of these interrupts occurs, the processor pushes the PC register and the Flags register onto the stack, and gets a new PC from the **INTERRUPT VECTOR**. The interrupt vectors are located at the following addresses:

FFFA,FFFB	--	NMI
FFFC,FFFD	--	RESET
FFFE,FFFF	--	IRQ

These locations must contain the addresses of programs which will determine the cause of the interrupt, and respond appropriately.

In the SYM-1, System RAM (A600-A67F) is duplicated at FF80-FFFF (it is "echoed" there). On Reset, SUPERMON points these vectors to its own interrupt-handling routines. When an interrupt occurs, SUPERMON displays the address where the interrupt occurred with one of the following codes indicating the cause of the interrupt:

0	=	BRK instruction
1	=	IRQ
2	=	NMI
3	=	USER ENTRY (caused by JSR to USRENT at 8035)

Because all registers are saved, a **(G) (CR)** will cause execution to resume at the point of interruption. The user can intercept interrupt handling by inserting pointers to user interrupt routines in TRCVEC, UBRKVC, NMIVEC, or IRQVEC. See Section 9.7.2 for a discussion of the User Entry pseudo-interrupt. Table 9-2 describes all vectors used by the Monitor.

Table 9-2. SUPERMON VECTORS

<u>NAME</u>	<u>LOCATION</u>	<u>FUNCTION</u>
INVEC	A660-A662	Points to input driver.
OUTVEC	A663-A665	Points to output driver.
INSVEC	A666-A668	Points to routine which determines whether or not a key is down.
URCVEC	A66C-A66E	Unrecognized command. All unrecognized commands and parameter entry errors vectored here. Points to a sequence of: SEC - Set Carry RTS - Return
SCNVEC	A66F-A671	Points to routine which performs one scan of display from DISBUF.
EXEVEC	A672-A673	Points to RIN - get ASCII from RAM subroutine. The Execute (E) command temporarily replaces INVEC with EXEVEC, saving INVEC in SCRA, SCRB. The Hi byte of EXEVEC must be different from the Hi byte of INVEC.
TRCVEC	A674-A675	May be used to point to user trace routine after TRCOFF (See Section 9.6).
UBRKVC	A676-A677	May be used to point to user BRK routine after IRQVEC.
UIRQVC	A678-A679	May be used to point to user NON-BRK IRQ routine after IRQVEC.
NMIVEC	A67A-A67B	Points to routine which saves registers, determines whether or not to trace, based on TV.
IRQVEC	A67E-A67F	Points to routine which saves registers, determines whether or not BRK has occurred, and continues thru UBRKVC or UIRQVC.

9.5 DEBUG ON and TRACE

When the DEBUG ON key on your SYM-1 is depressed, DEBUG mode is enabled. In DEBUG mode, an NMI interrupt occurs every time an instruction is fetched from an address that is not within the monitor. SUPERMON's response is to save the registers and display the PC, with code 2 (for NMI). With each **(G) (CR)**, one instruction of the user program will be executed. This is called Single-Stepping.

In order to TRACE, alter the Trace Velocity (TV, at A656) to a non-zero value. (09 is a good value.) If you now enter **(G) (CR)**, SUPERMON will display the PC and the contents of the accumulator, pause, and resume execution. Addresses and accumulator contents will flash by one at a time. To stop the flow, depress any key (Hex keyboard) or the BREAK key (terminal). Execution will halt. A **(G) (CR)** will resume execution. The length of the delay is related to TV (not linearly; try different values) and, of course, the baud rate, if you are working from a terminal.

9.6 USER TRACE ROUTINES

As the complexity of your programs increases, you may wish to implement other types of trace routines. To demonstrate how this is done, an example of a user trace routine is provided in Figure 9-6. It prints the op code of the instruction about to be executed, instead of the accumulator contents.

But first of all, we don't want to be interrupted during trace mode by responding to an interrupt (a problem called recursion). SUPERMON will handle this by turning DEBUG OFF, then back ON. However, to implement this program control of DEBUG, you must add jumpers W24 and X25 to your SYM-1 board (see Chapter 4).

Now that you have added the jumpers, we are ready to enter the program UTRC and change vectors.

First, enter the program UTRC as given in Figure 9-6. Then change NMIVEC to point to TRCOFF, which will save registers, turn DEBUG OFF, and vector thru TRCVEC:

```
SD 80C0,A67A (CR)
```

Now, point TRCVEC to UTRC.

```
SD 0380,A674 (CR)
```

Enter a non-zero value in TV, depress DEBUG ON, and you're ready to trace.

NOTE: BRK instructions with DEBUG ON will operate as two-byte instructions and should be programmed as 00,EA (BRK,NOP).

Also, the first instruction after leaving SUPERMON will not be traced.

LINE #	LOC	CODE	LINE
0002	0000		; UTRC - USER TRACE ROUTINE -
0003	0000		; PRINT NEXT OP CODE INSTEAD OF ACCUMULATOR
0004	0000		;
0005	0000		OPPCOM = \$8337 ;PRINT PC, PRINT COMMA
0006	0000		PCLR = \$A659
0007	0000		PCHR = \$A65A
0008	0000		OBCRLF = \$834A ;PRINT BYTE FROM ACC, PRINT CRLF
0009	0000		DELAY = \$835A ;DELAY BASED ON TV
0010	0000		WARM = \$8003 ;WARM MONITOR ENTRY
0011	0000		TRACON = \$80CD ;TURN TRACE ON, RESUME EXECUTION
0012	0000		TV = \$A656 ;TRACE VELOCITY
0013	0000		;
0014	0000		* = \$380 ;PUT IN HI RAM (ENTIRELY RELOCATED)
0015	0380	20 37 83	UTRC JSR OPPCOM ;PRINT PC, COMMA
0016	0383	AD 59 A6	LDA PCLR ;USE PC AS PTR TO OP CODE
0017	0386	85 F0	STA \$F0
0018	0388	AD 5A A6	LDA PCHR
0019	038B	85 F1	STA \$F1
0020	038D	A0 00	LDY #0
0021	038F	B1 F0	LDA (\$F0),Y ;PICK UP OP CODE
0022	0391	20 4A 83	JSR OBCRLF ;OUTPUT OP CODE, CRLF
0023	0394	AE 56 A6	LDX TV ;GET TRACE VELOCITY
0024	0397	F0 05	BEQ NOGO ;NOGO IF ZERO
0025	0399	20 5A 83	JSR DELAY ;DELAY ACCORDING TO TV
0026	039C	90 03	BCC GO ;CARRY SET IF KEY DOWN
0027	039E	4C 03 80	NOGO JMP WARM ;HALT
0028	03A1	4C CD 80	GO JMP TRACON ;CONTINUE
0029	03A4		.END

Figure 9-6. LISTING OF SAMPLE USER TRACE ROUTINE

USER TRACE EXAMPLE

```

.V 200,20A (CR)
  0200 A9 00 A9 11 A9 22 A9 33,0A
  0208 4C 00 02,58
0358
.SD 80C0,A67A (CR)
.SD 380,A674 (CR)
.G 200 (CR)
0202,A9

  G (CR)
0204,A9

.M A656(CR)
A656,00,09(CR)
A657,4D (CR)
.G 200 (CR)
0202,A9
0204,A9
0206,A9
0208,4C
0200,A9
0202,A9
0204,A9
0206,A9
0208,4C
0200,A9
0202,A9

```

Vector modification
Vector modification
Single-Step (Remember
to set DEBUG ON before
each (G) (CR))

Trace Velocity = 9

Continuous trace of op codes

9.7 MIXED I/O CONFIGURATIONS

The Reset routine that is activated when power is turned on or RST is pressed establishes the terminal I/O configuration by loading a specified value into a location in System RAM, TOUTFL (A654). The high-order four bits of TOUTFL define which terminal devices may be used for input and output. A "1" signifies that a device is enabled, a "0" that it is disabled. The meaning of each bit and the values assigned at system reset are shown below. The routine referenced by entry (1) in the JUMP table will enable the TTY for input. For other configurations, load the appropriate value into TOUTFL.

TOUTFL	bit: <u>7</u>	<u>6</u>	<u>5</u>	<u>4</u>
default value:	1	0	1	1
meaning:	CRT	TTY	TTY	CRT
	INPUT	INPUT	OUTPUT	OUTPUT

Bits 6 and 7 of another location in System RAM, TECHO (A653), are used to inhibit serial output (bit 6) and to control echo to a terminal (bit 7). Bit 6 may be toggled by entering "(CONTROL) O" (0F Hex) on the terminal keyboard or in software. The possible values for TECHO are shown below.

TECHO	80	echo output	(default value)
	C0	echo no output	
	40	no echo no output	
	00	no echo output	

With this information, you can alter the SUPERMON standard I/O configurations to suit your special needs. A common use would be routing your output to a terminal while using the Hex keyboard as an input device. Two possible ways of doing this will be discussed.

First, by merely altering SDBYT and OUTVEC, your input and echo will use the on-board keyboard and display, while Monitor and program output will go to the serial device. Choose the proper baud rate value for your device from the following table and put it in SDBYT (at A651) with the "M" command. Then enter the address of TOUT into OUTVEC from the hex keyboard as follows:

.SD 8AA0,A664 (CR)

Terminal Baud Rate	Value Placed in SDBYT
110	D5
300	4C
600	24
1200	10
2400	06
4800	01

Second, if you wish your input to be echoed on the terminal device, a small program must be entered. First, complete the sequence discussed above. Then, enter the following program:

```

UIN JSR GETKEY      20 AF 88
    BIT TECHO       2C 53 A6
    BPL UOUT        10 03
    JMP OUTCHR      4C 47 8A
UOUT RTS           60

```

Enter the program called "UIN" above at any user RAM location. Then use the "SD" command to put the address of UIN into INVEC (at A661) as follows:

.SD (UIN),A661 (CR) (ENTER AT HKB)

where (UIN) is the address of the program UIN.

9.8 USER MONITOR EXTENSIONS

Having read the section on Monitor flow, you will have noticed that unrecognized commands and parameter entries are vectored through URCVEC (A66C-A66E), which normally points to a SEC, RTS sequence at 81D1. By pointing URCVEC to a user-supplied routine in RAM or PROM, SUPERMON can easily be extended. The following example will illustrate the basic principle; many more sophisticated extensions are left to your imagination.

9.8.1 Monitor Extension Example

This example will define U0 with two parameters as a logical AND. The parameters and the result are in Hexadecimal.

```
LOGAND    CMP    LSTCOM    ;CMD loaded?
          BEQ    OK
BAD       SEC          ;set for error print
          RTS
OK        CMP    #$14    ;USR0
          BNE    BAD      ;branch to next
          ;command if defined
          CPX    #2      ;two parms
          BNE    BAD
DOAND     LDA    P2H
          AND    P3H      ;here's the 'and' hi
          TAX
          LDA    P2L
          AND    P3L      ;'and' lo
          JSR    CRLF     ;get new line
          JSR    SPACE
          JMP    OUTXAH   ;PRINT X and A
          .END
```

To attach LOGAND to the monitor, it must be assembled (probably by hand), entered into memory, and URCVEC altered to contain a JMP to LOGAND. Notice that more than one command could have been added, by pointing BAD to the next possible command, instead of a RTS.

9.8.2 SUPERMON As Extension to User Routines

Because SUPERMON contains a user entry, it can easily be appended to your software. An example of the utility of this feature is a user trace routine, which could have an 'M' command, which would direct it to make SUPERMON available to the user. Here's what the code would look like.

```
UTRACE
. . .
Trace code

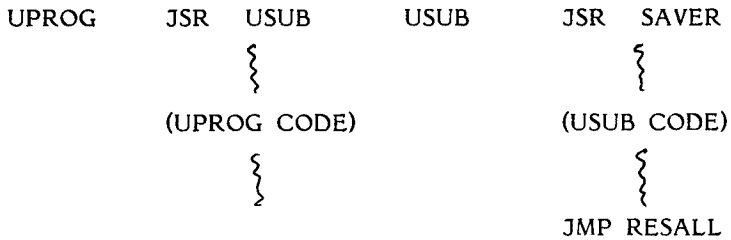
          JSR    INCHR
          CMP    #'M
          BNE    ELSE
          JSR    USRENT
          JMP    UTRACE
          . . .

ELSE
Code executed if character
input is not 'M.'
```

In this example, the user will type an 'M' to get into monitor, and a (G) (CR) to return to the calling portion of UTRACE. Note that the user PC and S registers should not be modified while in monitor if a return to UTRACE is intended.

9.9 USE OF SAVER AND RES ROUTINES

SAVER and the RES routines are designed to be used with subroutines. Their usage is as follows:



In this example, UPROG calls USUB. USUB calls SAVER, performs its function, and then jumps to RESALL. RESALL restores all registers and returns to UPROG. If RESXF or RESXAF were used instead of RESALL, UPROG would receive the F, or F and A registers as left by USUB.

APPENDIX A
IMMEDIATE ACTION

Your SYM-1 microcomputer has been thoroughly tested at the factory and carefully packed to prevent damage in shipping. It should provide you with years of trouble-free operation. If your unit does not respond properly when you attempt to apply power, enter commands from the keyboard, or attach peripheral devices to the system, do not immediately assume that it is defective. Re-read the appropriate sections of this manual and verify that all connections have been properly wired and all procedures properly executed.

If you finally conclude that your SYM-1 is defective, you should return it for repair to an authorized service representative. Specific instructions for obtaining a service authorization number and shipping your unit are contained with warranty information on the card entitled "LIMITED WARRANTY AND SERVICE PLAN" that is included with system reference material.

APPENDIX B

PARTS LIST

MATERIALS AND ACCESSORIES

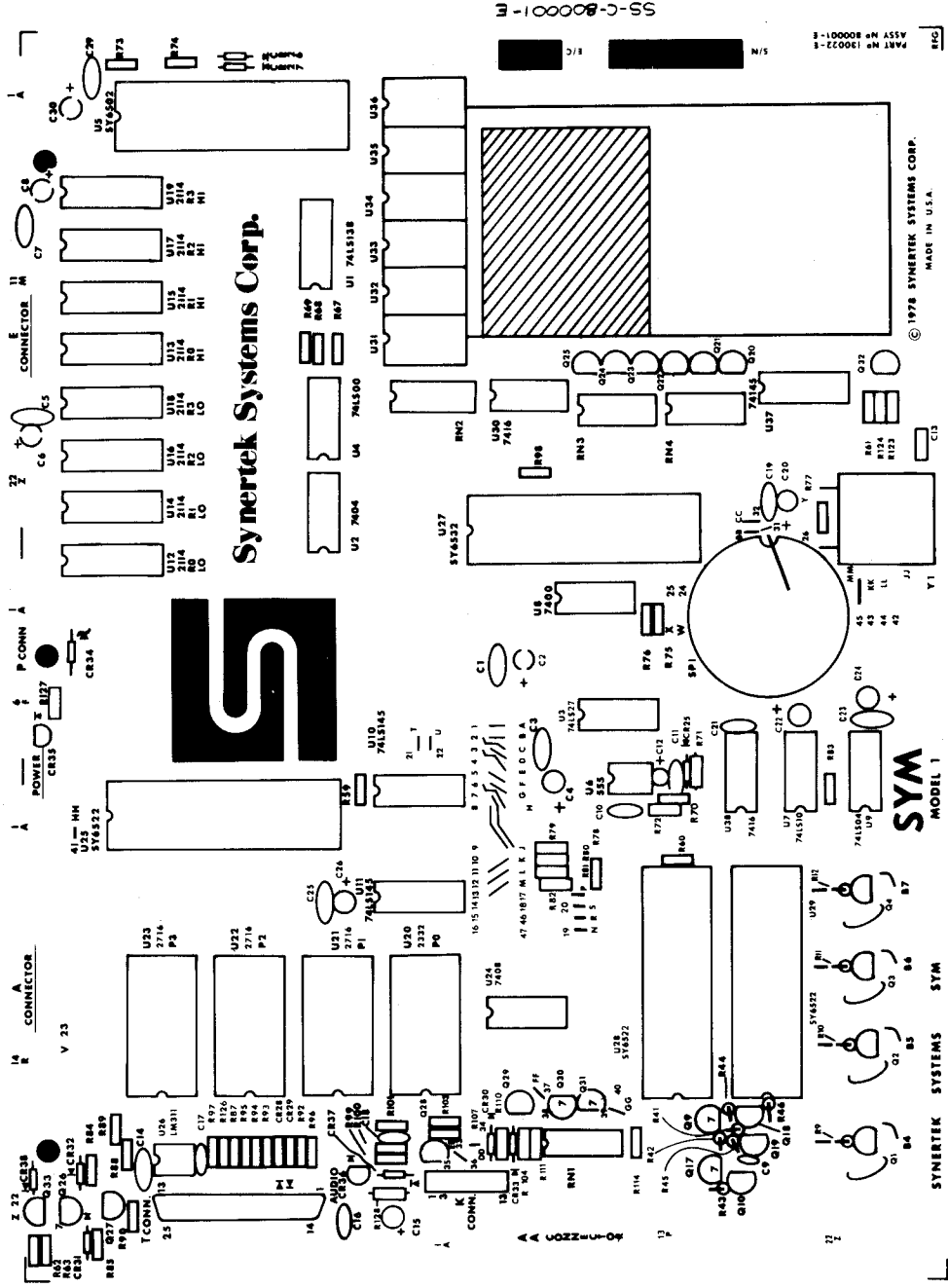
<u>QTY.</u>	<u>DESCRIPTION</u>	<u>MANUFACTURER/PART NUMBER</u>
1	CONNECTOR, DUAL 22/44	Microplastic 15622DPIS
1	CONNECTOR, DUAL 6/12	Teka TP3-061-E04
6	RUBBER FEET	3M SJ5018
1	SYNERTEK SOFTWARE MANUAL	
1	SYM-1 WARRANTY/USER CLUB REFERENCE CARD	
1	SYM REFERENCE MANUAL	
1	SYM-1 PC BOARD ASSEMBLY	

SYM-1 PC BOARD COMPONENTS

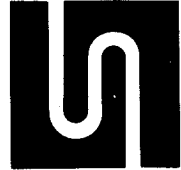
<u>QTY.</u>	<u>DESCRIPTION</u>	<u>MFR. NO.</u>	<u>REFERENCE DESIGNATION</u>
1	CPU	SYP6502	U5
2	VIA	SYP6522	U25,U29
1	RAM-I/O	SYP6532	U27
2	4K BIT RAM	SYP2114	U12, U13
1	32K BIT ROM	SYP2332	U20
1	NAND GATE	7400	U8
1	HEX INVERTER	7404	U2
1	AND GATE	7408	U24
2	HEX INVERTER-O.C.	7416	U30, U38
1	NAND GATE	74LS00	U4
1	HEX INVERTER	74LS04	U9
1	TRIPLE NOR GATE	74LS27	U3
1	TIMER	555	U6

QTY.	DESCRIPTION	MFR. NO.	REFERENCE DESIGNATION
1	DECODER	74LS138	U1
1	TRIPLE 3 INPUT NAND	74LS10	U7
1	DECODER	74145	U37
2	DECODER	74LS145	U10, U11
1	COMPARATOR	311	U26
1	RES-100 ohm, 1/4W, 5%	RF14J100B	R128
3	RES-200 ohm, 1/4W, 5%	RF14J200B	R43, 111, 114
1	RES-300 ohm, 1/4W, 5%	RF14J300B	R107
4	RES-470 ohm, 1/4W, 5%	RF14J470B	R84, 88, 124, 127
14	RES-1K, 1/4W, 5%	RF14J1KB	R9-12, 41, 61-63, 73, 78, 85, 92, 101, 113, 123
1	RES-1M, 1/4W, 5%	RF14J1MB	R72
1	RES-2.2K, 1/4W, 5%	RJ14J2.2KB	R103
14	RES-3.3K, 1/4W, 5%	RF14J3.3KB	R59, 60, 70, 74, 79-82, 87, 94, 95, 97, 98, 126
1	RES-4.7K, 1/4W, 5%	RF14J4.7KB	R42
10	RES-10K, 1/4W, 5%	RF14J10KB	R45, 67-69, 75, 76, 83, 89, 93, 104
3	RES-47K, 1/4W, 5%	RF14J47KB	R44, 46,71
1	RES-330K, 1/4W, 5%	RF14J330KB	R77
2	RES-27K, 1/4W, 5%	RF14J27KC	R90, 96
2	RES-150 ohm, 1/4W, 5%	RF14J150B	R99, 110
1	RES-6.8K, 1/4W, 5%	RF14J6.8KB	R100
1	CAP-10pf	DM15100J	C13
13	CAP - .01 mfd, 100V	DB203YZ1032	C1, 3, 5, 7, 10, 11, 16, 17, 19, 23, 25, 29
10	CAP - 10 mfd, 25V	T368B106K025PS	C2, 4, 6, 8, 12, 20, 22, 24, 26, 30

QTY.	DESCRIPTION	MFR. NO.	REFERENCE DESIGNATION
3	CAP - .1 mfd, 50V	3429-050E-104M	C9, 18
2	CAP - .47 mfd	C330C474M5V5EA	C15
1	CAP - .0047 mfd	UR2025100X7R472K	C14
12	NPN TRANSISTOR	2N2222A	Q1-4, 10, 18, 19, 2729, 32, 33
11	PNP TRANSISTOR	2N2907A	Q9, 17, 20-26, 30, 31
11	DIODE, G.P.	1N914	CR25-33, 37, 38
1	DIODE, ZENER	1N4735	CR34
4	SOCKET - 24-PIN DIP	TIC8424-02	SK20-23
5	SOCKET - 40-PIN DIP	TIC8440-02	SK5, 25, 27-29
8	SOCKET - 18-PIN DIP	TIC8418-02	SK12-19
1	DUAL HEADER	AP929665-01-07	"K" Connector
1	KEYBOARD		KB1
1	PC BOARD		PC1
6	7-SEGMENT DISPLAY, 0.3"	MAN 71A	U31-36
2	LED	RL4850	CR35,36
1	SPEAKER	70057	SP1
1	CRYSTAL	CY1A	Y1
	TAPE - 1½" x 2" STRIP		
1	RES. PACK - 100 ohm	898-3-R100	RN2
1	RES. PACK - 3.3K ohm	899-3-R3.3K	RN1
2	RES. PACK - 1K ohm	899-3-RIK	RN3, RN4
1	RED FILTER		



Synertek Systems Corp.



© 1978 SYNERTEK SYSTEMS CORP.
MADE IN U.S.A.

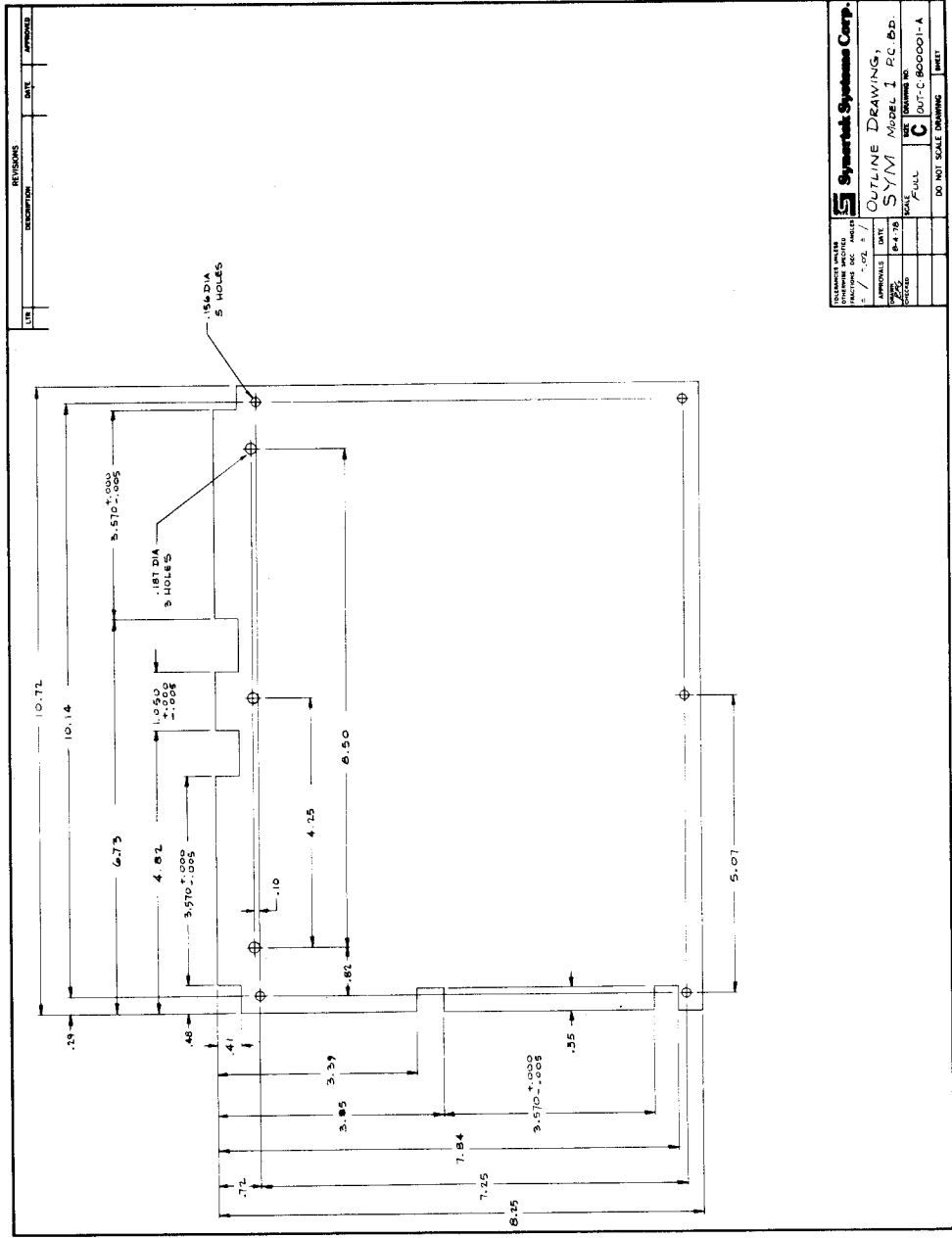
SYM
MODEL 1

SYNERTEK SYSTEMS SYM

COMPONENT LAYOUT

SS-C-800001-E

PART N° 190023-E
ASSY N° 800011-E
S/M
E/C



REV	DESCRIPTION	DATE	APPROVAL
1			

Sybertek Systems Corp. 10000 W. 10th St. / Suite 100 / Overland Park, MO 66204	
OUTLINE DRAWING SYM MODEL 1 PC BD	
APPROVALS DATE 8-4-78	DRAWING NO. 001-C-80001-A
SHEET FULL C	DO NOT SCALE DRAWING SHEET

OUTLINE DRAWING

APPENDIX C

AUDIO TAPE FORMATS

HIGH-SPEED FORMAT -- High speed data transfer takes place at 185 bytes per second. Every byte consists of a start bit (0), followed by eight data bits. The least significant bit is transmitted first. A "1" bit is represented by 1 cycle of 3000 Hz, while a "0" bit is represented by ½ cycles of 1500 Hz. Physical record format is shown below.

8 sec. "mark"	256 SYN chars.	*	ID	SAL	SAH	EAL +1	EAH +1	DATA	/	CKL	CKH	EOT	EOT
---------------	----------------	---	----	-----	-----	-----------	-----------	------	---	-----	-----	-----	-----

- 8 sec. "mark" - Allows the tape to advance beyond the leader and creates an inter-record gap.
- SYN (16 Hex) - ASCII synch characters that allow the SYM-1 to synchronize with the data stream.
- * (2A Hex) - ASCII character that indicates the start of a valid record.
- ID - Single byte that uniquely identifies the record.
- SAL - Low order byte of the Starting Address from which data was taken from memory.
- SAH - High order byte of the Starting Address from which data was taken from memory.
- EAL +1 - Low order byte of the address following the Ending Address from which data was taken from memory.
- EAH +1 - High order byte of the address following the Ending Address from which data was taken from memory.
- DATA - Data bytes.
- / (2F Hex) - ASCII character that indicates the end of the data position of a record.
- CKL - Low order byte of a computed checksum.
- CKH - High order byte of a computed checksum.
- EOT (04 Hex) - ASCII characters that indicate the end of the tape record.

KIM FORMAT -- Data transfer in KIM format takes place at approximately 8 bytes per second. A "1" bit is represented by 9 cycles of 3600 Hz followed by 18 cycles of 2400 Hz, while a "0" bit is represented by 18 cycles of 3600 Hz followed by 6 cycles of 2400 Hz. Each 8-bit byte from memory is represented by two ASCII characters. The byte is separated into two half-bytes, then each half-byte is converted into an ASCII character that represents a Hex digit. The least significant bit is transmitted first. The KIM physical record format is shown below.

128 SYN chars.	*	ID	SAL	SAH	DATA	/	CKL	CKH	EOT	EOT
----------------	---	----	-----	-----	------	---	-----	-----	-----	-----

The sync characters, the ASCII characters "*" (2A Hex) and "/" (2F Hex) as well as ID, SAL, SAH, CKL, CKH and EOT serve the same functions as in HIGH-SPEED format. Sync characters, *, / and EOT are represented by single ASCII characters, while the remaining record items require two ASCII characters. Note that EAL and EAH are not used in the KIM format.

APPENDIX D

PAPER TAPE FORMAT

When data from memory is stored on paper tape, each 8-bit byte is separated into two half-bytes, then each half-byte is converted into an ASCII character that represents a Hex digit (0-F). Consequently, two ASCII characters are used to represent one byte of data. In the paper tape record format shown below, each N, A, D, and X represents one ASCII character.

; N₁N₀ A₃A₂A₁A₀ (D₁D₀)₁ (D₁D₀)₂ . . . (D₁D₀)_n X₃X₂X₁X₀

- ; - Start of record mark
- N₁N₀ - Number of data bytes in (Hex) contained in the record
- A₃A₂A₁A₀ - Starting address from which data was taken
- (D₁D₀)₁-(D₁D₀)_n - Data
- X₃X₂X₁X₀ - 16-bit checksum of all preceding bytes in the record including N₁N₀ and A₃A₂A₁A₀, but excluding the start of record mark.

A single record will normally contain a maximum of 16 (10 Hex) data bytes. This is the system default value that is stored in system RAM at power-up or reset in location MAXRC (A658). You can substitute your own value by storing different number in MAXRC. To place an end of file after the last data record saved, place the TTY in local mode punch on, and enter ;00 followed by **(CR)**.

APPENDIX E

SYM COMPATABILITY WITH KIM PRODUCTS

If you are a SYM-1 user who has peripheral devices which you have previously used with the KIM system or software which has been run on a KIM module, you'll find SYM to be generally upward compatible with your hardware and software. The following two sections describe the levels of compatibility between the two systems to allow you to undertake any necessary modifications.

E.1 HARDWARE COMPATABILITY

Table E-1 describes the upward compatibility between SYM and KIM at the Expansion (E) connector, while Table E-2 describes the compatibility on the Applications (A) connector.

I/O port addresses differ between the two systems; you should consult the Memory Map in Figure 4-10 for details.

Power Supply inputs are provided on a separate connector with SYM-1, which means that if you have been using your power supply with a KIM device it will be necessary to rewire its connections to use the special connector on the SYM-1 board.

E.2 SOFTWARE COMPATABILITY

Table E-3 lists important user-available addresses and routines in the KIM-1 monitor program and their counterparts in SYM-1's SUPERMON. Many of the routines do not perform identically in the two systems, however, and you should check their operation in Table 9-1 before using them.

Table E-1. EXPANSION CONNECTOR (E) COMPATABILITY

SYM DESCRIPTION	SYM NAME	PIN #	KIM NAME	KIM DESCRIPTION
Jumper (Y,26) Selectable: OFF - Open Pin ON - Debug On/Off Output (U8-8)	DBOUT	17	SSTOUT	From (SYNC • NOT MONITOR) U26-6
Power On Reset Signal Output: "0" After power on "1" When reset by software	$\overline{\text{POR}}$	18		No equivalent

Table E-2. APPLICATION CONNECTOR (A) COMPATABILITY

SYM DESCRIPTION	SYM NAME	PIN #	KIM NAME	KIM DESCRIPTION
Jumper (V,23) Selectable: OFF - Open Pin ON - Remote Audio Control Out	AUD.RC	N	+12V	+12V Not required on SYM
Jumper (HH,41) Selectable: OFF Open Pin ON ICXX Decode Out		K	DECODE Enable	Enable 8K Decoder

Table E-3. SYM-KIM SOFTWARE COMPATABILITY

SYM		KIM		FUNCTION
Label	Address(es)	Label	Address(es)	
PCLR	A659	PCL	00EF	Program Counter - low
PCHR	A65A	PCH	00F0	Program Counter - high
FR	A65C	PREG	00F1	Status Register
SR	A65B	SPUSER	00F2	Stack Pointer
AR	A65D	ACC	00F3	Accumulator
YR	A65F	YREG	00F4	Y - Register
XR	A65E	XREG	00F5	X - Register
SCR6	A636	CHKHI	00F6	Checksum - low
SCR7	A637	CHKSUM	00F7	Checksum - high
P2L	A64C	SAL	17F5	Start Addr Low - audio/paper tape
P2H	A64D	SAH	17H6	Start Addr High - audio/paper tape
P3L	A64A	EAL	17F7	End Addr+1 Low - audio/paper tape
P3H	A64B	EAH	17F8	End Addr+1 High - audio/paper tape
P1L	A64E	ID	17F9	ID Byte audio Tape
NMIVEC	A67A-B FFFA-B	NMIV	17FA-B FFFA-B	NMI Vector
RSTVEC	FFFC-D	RSTV	17FC-D FFFC-D	Reset Vector
IRQVEC	A67E-F FFFE-F	IRQV	17FE-F FFFE-F	IRQ Vector
DUMPT	8E87	DUMPT	1800	Dump memory to audio tape
LOADT	8C78	LOADT	1873	Load memory from audio tape
CHKT	8E78	CHKT	194C	Compute checksum for audio tape
OUTBTC	8F4A	OUTBTC	195E	Output one KIM byte
HEXOUT	8F52	HEXOUT	196F	Convert LSD of A to ASCII AND write to audio tape

Table E-3. SYM-KIM SOFTWARE COMPATABILITY (Continued)

SYM		KIM		FUNCTION
Label	Address(es)	Label	Address(es)	
OUTCHT	8F5D	OUTCHT	197A	Write one ASCII character to audio tape Read one byte from audio tape Pack ASCII to nibble
RDBYT	8E2C	RDBYT	19F3	
PACKT	8E3E	PACKT	1A00	
RDCHT	8E61	RDCHT	1A24	Read one character from audio tape
RDBITK	8E0F	RDBIT	1A41	Read one bit from tape
SVNMI	809B	SAVE	1C00	Monitor NMI entry
RESET	8B4A	RST	1C22	Monitor RESET entry
OUTPC	82EE	PCCMD	1CDC	Display PC
INCHR	8A1B	READ	1C6A	Get character
LP2B+7	841E	LOAD	1CE7	Load paper tape
SP2B+4	869C	DUMP	1D42	Save paper tape
OUTS2	8319	PRTPNT	1E1E	Print pointer
OUTBYT	82FA	PRTBYT	1E3B	Print 1 byte as 2 ASCII character
INCHR	8A1B	GETCH	1E5A	Get character
DLYF	8AE6	DELAY	1ED4	Delay 1 bit time
DLYH	8AE9	DEHALF	1EEB	Delay ½ bit time
INSTAT	8386	AK	1EFE	Determine if key is down
OUTDSP	89C1	SCAND	1F19	Output to LED display
SCAND	8906	SCANDS	1F1F	Scan LED display
INCCMP	82B2	INCPT	1F63	Increment pointer
GETKEY	88AF	GETKEY	1F6A	Get key
CHKSAD	82DD	CHK	1F91	Compute checksum
INBYTE	81D9	GETBYT	1F9D	Get 2 Hex characters and pack

APPENDIX F

CREATING AND USING A SYNC TAPE

To read serial data from tape, the SYM-1 makes use of synchronizing (sync) characters that are part of every tape record. For a complete description of audio tape record formats, refer to Appendix C.

When the SYM-1 searches for a record, an "S" is displayed until the sync characters are recognized and data transfer begins. However, if the volume and tone controls on the recorder are not set correctly, the sync characters will not be recognized, the "S" on the display will not go out, and the record will not be loaded into memory.

Before attempting to save and load data for the first time, or whenever the control levels have been changed since the recorder was last used, you should perform a load operation using a tape containing only sync characters. By adjusting the volume and tone controls until the displayed "S" goes out, you can set the control levels properly for actual data.

You may want to generate two sync tapes, one for HIGH-SPEED format, the other for KIM format, just once, and save them for future use.

To generate a sync tape, enter the sync character generation program for one of the formats into RAM starting in location 0200 (Hex). The assembly language code and the machine language code for both formats are shown below. Read the pairs of Hex digits from left to right and top to bottom. For example, the code for HIGH-SPEED format should be entered in the following sequence: A0 80 20 B6 8D A9

Next, insert a tape into the cassette unit. If the unit is equipped with remote control, place it in Record mode. Set the volume and tone controls to mid-range, then enter the command to execute the program:

(GO) 200 (CR)

If you are operating the cassette controls manually, place the unit in Record mode after entering the command, but before entering (CR). Remote controlled units will advance the tape automatically. Let the tape run for several minutes, then press RST to end the program. For manual operation, also press STOP on the tape unit.

To set the volume and tone controls for loading data into memory, rewind the tape to the beginning (you may need to pull out the Remote jack or keep your finger on RST), then place the unit in Play mode if it is equipped with remote control. Next, enter the load command for the appropriate format ((LD 1) for KIM, (LD 2) for HIGH-SPEED, followed by a carriage return (CR)).

If you have a manually operated unit, place it in Play mode after entering the command. While the tape advances, adjust the volume and tone controls until the "S" on the display goes out and remains out, then press RST and stop the tape.

You can now remove the sync tape and proceed to save and load actual programs and data.

Adjusting Your Recorder

The audio signal appears on the T and A connectors in two forms: Aud Out (HI) and Aud Out (LO). The only difference between these signals is their magnitude. For most recorders, the best arrangement is to run Aud Out (LO) into the MIC input of the recorder. Some recorders also have an AUX input, which bypasses the MIC pre-amp, and may work better if Aud Out (HI) is wired into AUX.

Read Appendix F, and follow the procedure for creating a "SYNC" tape. Rewind the tape and enter the LD command appropriate to the SYNC tape you created. Adjust the tone and volume controls, observing the S on the display. Leave the controls in the middle of the range where the S remains off. (If there are two ranges of volume which cause the S to turn off, the higher range should be used. If a sharp tap causes the S to relight and remain lit, you are in the wrong range.)

If your recorder has an automatic-recording-level defeat switch, it will probably work better in the engaged position.

Now write a short record to tape and read it back to verify correct operation. (Do not use the memory form \$F8 to \$FF, or the stack area ((page 1)), as these are used by the cassette software.)

Recommended Tape Equipment

Most moderate quality tape recorders should produce satisfactory results. (A tone control is recommended.) The following models have been used successfully at Synertek Systems:

Sanyo M2533A
Sony TC-205
Sony TC-62

GE IC #3-5002B
Superscope C-190
Realistic Ctr-40

Almost any tape will suffice, so long as it winds smoothly (does not produce a jittery tape motion). A very short tape will be more convenient. The following tapes have been used successfully at Synertek Systems:

TDK
AMPEX
MALLORY
REALISTIC

APPENDIX G

MONITOR ADDENDA

1. While tracing or single stepping, SUPERMON uses G01ENT (\$83FA) to return to the user program. G01ENT write protects System RAM. If you must trace a program that needs access to System RAM, use a user trace routine and go to G01ENT +3, or remove jumper MM-45 (enables System RAM protect).
2. The DEBUG-ON switch bounces, therefore it should not be used to interrupt user programs while using a user trace routine or while OUTVEC points to a user routine. (This will cause recursive interrupts.)
3. The audio cassette software will not read or write location \$FFFF. Use \$A67F (\$A600 thru \$A67F is echoed at \$FF80 thru \$FFFF).

APPENDIX H

SUPPLEMENTARY INFORMATION

Changing Automatic Log-On

After power is applied to the SYM, SUPERMON waits for the keyboard or the device connected to PB7 on the 6532 (normally the RS232 device) to become active. PB6 (the current loop device) is ignored because a disconnected current loop always looks active.

If you expect always to log-on a current-loop device, the following jumper change will eliminate the necessity of entering (SHIFT) (JUMP) (1):

Change CC-32 and BB-31
to CC-31 and BB-32

Now the log-on for your current loop device is simply a "Q", entered at the device. (Note that you cannot now log-on automatically to the keyboard unless the current loop device is connected, and powered-up.)

Using On-Board LED Display

Because of the extensive use of transfer vectors in SUPERMON, the same monitor calls can be used to activate the LED display as for terminal devices. The major difference is that you must call ACCESS (address 8B86) before outputting the first character in order to remove write-protection from the display buffer (DISBUF, address A640 thru A645).

If the SYM-1 was logged-on to from the HKB, each call to OUTCHR (address 8A47) will examine the ASCII character in the Accumulator, look up its segment code, shift everything in the display buffer of segment codes left one digit, place the new code in the rightmost digit, and scan the display once.

If the SYM-1 was logged-on to the HKB, each call to INCHR (address 8A1B) will scan the display from the codes in DISBUF continuously until a key is depressed (2 keys in the case of SHIFT keys, 4 in the case of SHIFT ASCII keys). The key will be fully debounced, the beeper beeped, the ASCII or HASHED ASCII code taken from a table, and passed back to the caller in the Accumulator. The Flags will reflect a compare with carriage-return.

Other useful routines are:

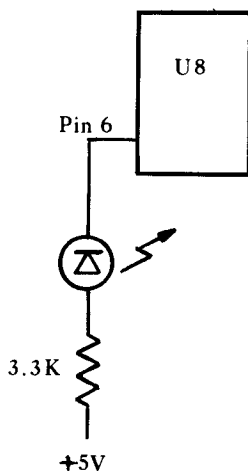
GETKEY (88AF)	Same as description of INCHR above, but disregard log-on and no compare performed.
OUTDSP (89C1)	Same as description of OUTCHR above, but disregard log-on.
KEYQ (8923)	Test for key depressed on HKB. On return, Z Flag = 1 if key down.
SCAND (8906)	Scan display once from segment codes in DISBUF. On return, Flags reflect call to KEYQ.

INSTAT If logged-on to HKB, check for key down (else check for BREAK key).
On return, carry set if key down (or BREAK key). Leading edge of key
debounced.

See also chapter 9 for discussion of monitor calls.

Adding DEBUG Indicator

While using trace routines which turn DEBUG on and off, it is often desirable to have an external indication of the DEBUG state. The addition of an LED and a resistor as follows will achieve this.



U8 is a 14 pin package located above the beeper.

The LED will remain on while DEBUG is on.

APPENDIX I
SY6502 DATA SHEET

Synertek®



3050 Coronado Drive, Santa Clara, CA. 95051
(408) 984-8900 TWX 910-338-0135

SY6500

SY6500 MICROPROCESSORS

The SY6500 Microprocessor Family Concept ----

The SY6500 Series Microprocessors represent the first totally software compatible microprocessor family. This family of products includes a range of software compatible microprocessors which provide a selection of addressable memory range, interrupt input options and on-chip clock oscillators and drivers. All of the microprocessors in the SY6500 group are software compatible within the group and are bus compatible with the M6800 product offering.

The family includes five microprocessors with on-board clock oscillators and drivers and four microprocessors driven by external clocks. The on-chip clock versions are aimed at high performance, low cost applications where single phase inputs, crystal or RC inputs provide the time base. The external clock versions are geared for the multi processor system applications where maximum timing control is mandatory. All versions of the microprocessors are available in 1 MHz and 2 MHz ("A" suffix on product numbers) maximum operating frequencies.

Features of the SY6500 Family

- . Single five volt supply
- . N channel, silicon gate, depletion load technology
- . Eight bit parallel processing
- . 56 Instructions
- . Decimal and binary arithmetic
- . Thirteen addressing modes
- . True indexing capability
- . Programmable stack pointer
- . Variable length stack
- . Interrupt capability
- . Non-maskable interrupt
- . Use with any type or speed memory
- . Bi-directional Data Bus
- . Instruction decoding and control
- . Addressable memory range of up to 65K bytes
- . "Ready" input
- . Direct memory access capability
- . Bus compatible with MC6800
- . Choice of external or on-board clocks
- . 1MHz and 2MHz operation
- . On-the-chip clock options
 - * External single clock input
 - * RC time base input
 - * Crystal time base input
- . 40 and 28 pin package versions
- . Pipeline architecture

Members of the Family

Microprocessors with On-Board Clock Oscillator

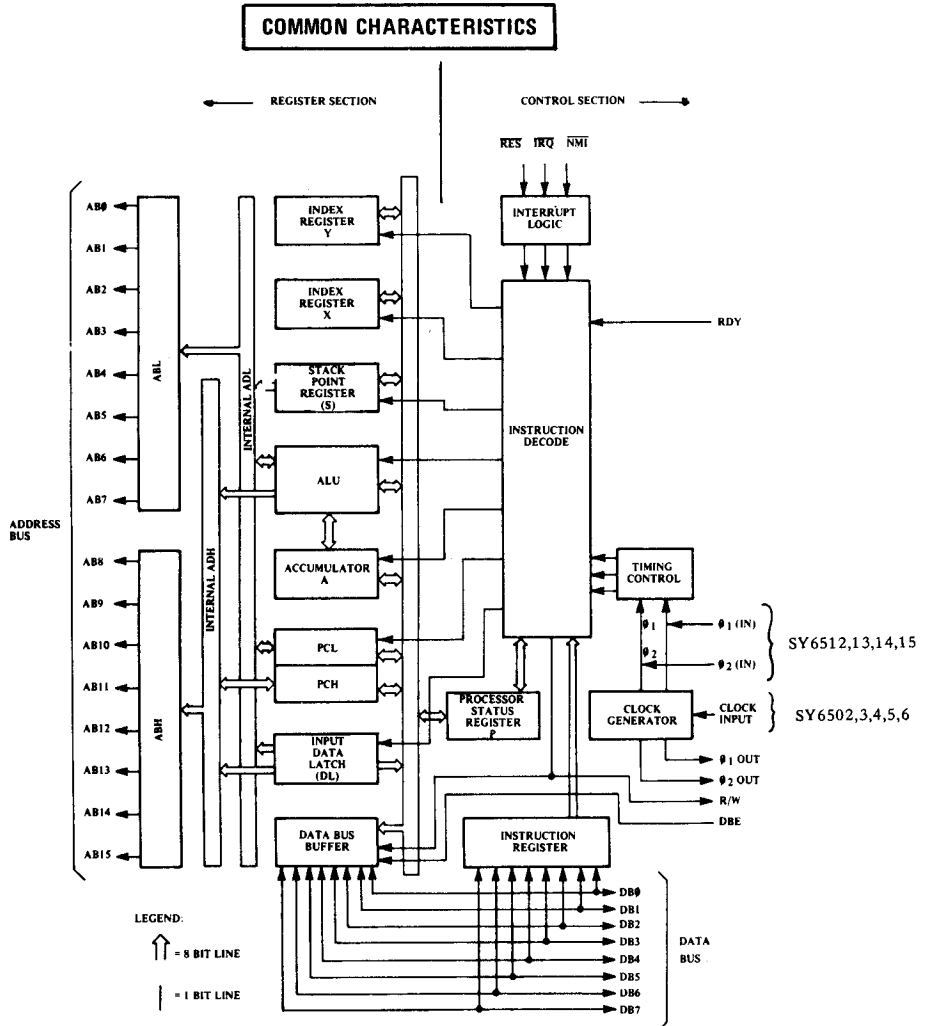
- SY6502
- SY6503
- SY6504
- SY6505
- SY6506

Microprocessors with External Two Phase Clock Input

- SY6512
- SY6513
- SY6514
- SY6515

Comments on the Data Sheet

The data sheet is constructed to review first the basic "Common Characteristics" - those features which are common to the general family of microprocessors. Subsequent to a review of the family characteristics will be sections devoted to each member of the group with specific features of each.



Note: 1. Clock Generator is not included on SY6512,13,14,15
 2. Addressing Capability and control options vary with each of the SY6500 Products.

SY6500 Internal Architecture

COMMON CHARACTERISTICS

MAXIMUM RATINGS

RATING	SYMBOL	VALUE	UNIT
SUPPLY VOLTAGE	V_{CC}	-0.3 to +7.0	Vdc
INPUT VOLTAGE	V_{in}	-0.3 to +7.0	Vdc
OPERATING TEMPERATURE	T_A	0 to +70	°C
STORAGE TEMPERATURE	T_{STG}	-55 to +150	°C

This device contains input protection against damage due to high static voltages or electric fields; however, precautions should be taken to avoid application of voltages higher than the maximum rating.

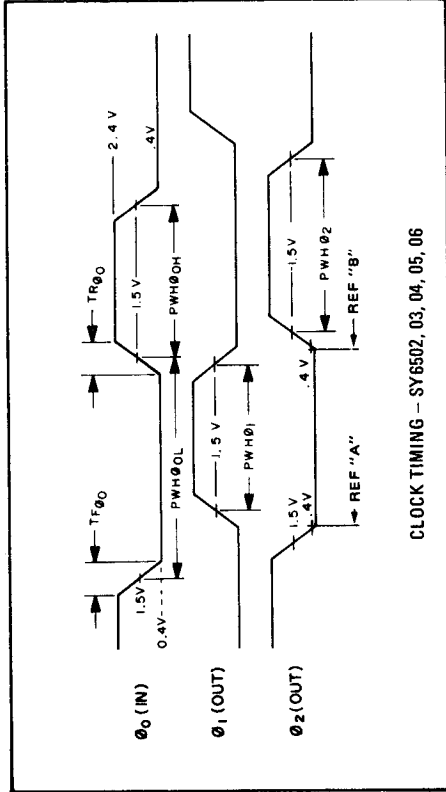
ELECTRICAL CHARACTERISTICS ($V_{CC} = 5.0V \pm 5\%$, $V_{SS} = 0$, $T_A = 25^\circ C$)

\emptyset_1, \emptyset_2 applies to SY6512, 13, 14, 15, \emptyset_o (in) applies to SY6502, 03, 04, 05 and 06

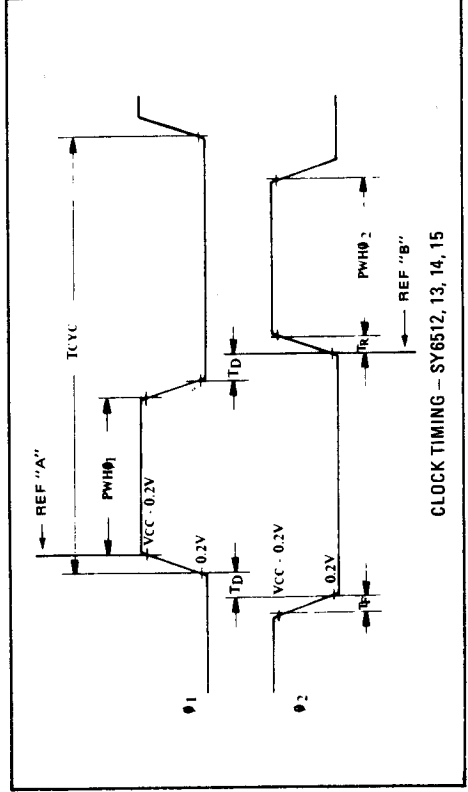
CHARACTERISTIC	SYMBOL	MIN.	TYP.	MAX.	UNIT
Input High Voltage Logic, \emptyset_o (in) \emptyset_1, \emptyset_2	V_{IH}	$V_{SS} + 2.4$ $V_{CC} - 0.2$	- -	V_{CC} $V_{CC} + 0.25$	Vdc
Input Low Voltage Logic, \emptyset_o (in) \emptyset_1, \emptyset_2	V_{IL}	$V_{SS} - 0.3$ $V_{SS} - 0.3$	- -	$V_{SS} + 0.4$ $V_{SS} + 0.2$	Vdc
Input High Threshold Voltage RES, NMI, RDY, IRQ, Data, S.O.	V_{IHT}	$V_{SS} + 2.0$	-	-	Vdc
Input Low Threshold Voltage RES, NMI, RDY, IRQ, Data, S.O.	V_{ILT}	-	-	$V_{SS} + 0.8$	Vdc
Input Leakage Current ($V_{in} = 0$ to 5.25V, $V_{CC} = 0$) Logic (Excl. RDY, S.O.) \emptyset_1, \emptyset_2 \emptyset_o (in)	I_{in}	- - -	- - -	2.5 100 10.0	μA μA μA
Three-State (Off State) Input Current ($V_{in} = 0.4$ to 2.4V, $V_{CC} = 5.25V$) Data Lines	I_{TSI}	-	-	10	μA
Output High Voltage ($I_{LOAD} = -100\mu A$, $V_{CC} = 4.75V$) SYNC, Data, AO-A15, R/W	V_{OH}	$V_{SS} + 2.4$	-	-	Vdc
Output Low Voltage ($I_{LOAD} = 1.6mA$, $V_{CC} = 4.75V$) SYNC, Data, AO-A15, R/W	V_{OL}	-	-	$V_{SS} + 0.4$	Vdc
Power Dissipation	P_D	-	.25	.70	W
Capacitance ($V_{in} = 0$, $T_A = 25^\circ C$, $f = 1MHz$) Logic Data AO-A15, R/W, SYNC \emptyset_o (in) \emptyset_1 \emptyset_2	C C_{in} C_{out} $C_{\emptyset_o(in)}$ C_{\emptyset_1} C_{\emptyset_2}	- - - - - -	- - - - 30 50	10 15 12 15 50 80	pF

Note: IRQ and NMI require 3K pull-up resistors.

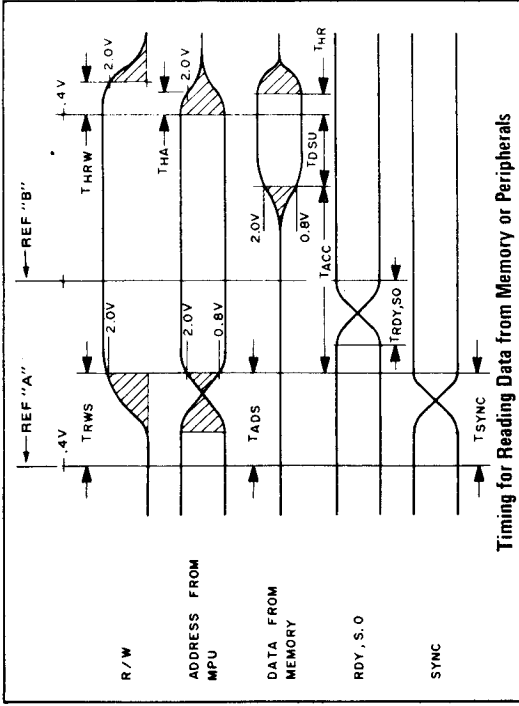
COMMON CHARACTERISTICS



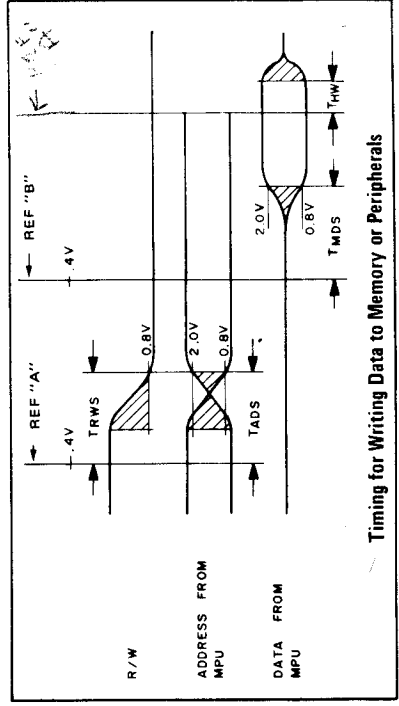
CLOCK TIMING - SY6502, 03, 04, 05, 06



CLOCK TIMING - SY6512, 13, 14, 15



Timing for Reading Data from Memory or Peripherals



Timing for Writing Data to Memory or Peripherals

Note: "REF." means Reference Points on clocks.

1 MHz TIMING

CLOCK TIMING - SY6512, 13, 14, 15

CHARACTERISTIC	SYMBOL	MIN.	TYP.	MAX.	UNITS
Cycle Time	T _{CYC}	1000	---	---	nsec
Clock Pulse Width (Measured at V _{CL} = 0.2V) & 0	PWH ₀	4.0	---	---	nsec
	PWH ₁	4.70	---	---	nsec
Fall Time (Measured from 0.2V to V _{CL} = 0.2V)	T _F	---	---	25	nsec
Delay Time between Clocks (Measured at 0.2V)	T _D	0	---	---	nsec

CLOCK TIMING - SY6502, 03, 04, 05, 06

CHARACTERISTIC	SYMBOL	MIN.	TYP.	MAX.	UNITS
Cycle Time	T _{CYC}	1000	---	---	ns
φ ₀ (IN) Pulse Width (measured at 1.5V)	PWH ₀	460	---	520	ns
φ ₀ (IN) Rise, Fall Time	TR _{φ₀} , TF _{φ₀}	---	---	10	ns
Delay Time between Clocks (measured at 1.5V)	T _D	5	---	---	ns
φ ₁ (OUT) Pulse Width (measured at 1.5V)	PWH ₁	PWH _{0L} -20	---	PWH _{0L}	ns
φ ₂ (OUT) Pulse Width (measured at 1.5V)	PWH ₂	PWH _{0H} -40	---	PWH _{0H} -10	ns
φ ₁ (OUT) φ ₂ (OUT) Rise, Fall Time (measured .8V to 2.0 V) (load = 50pf + 1 pF)	TR, TF	---	---	25	ns

READ/WRITE TIMING

CHARACTERISTIC	SYMBOL	MIN.	TYP.	MAX.	UNITS
Read/Write Setup Time from SY6500	T _{RWS}	---	100	300	ns
Address Setup Time from SY6500	T _{ADS}	---	100	300	ns
Memory Read Access Time	T _{ACC}	---	---	575	ns
Data Stability Time Period	T _{DSU}	100	---	---	ns
Data Hold Time - Read	T _{HR}	10	---	---	ns
Data Hold Time - Write	T _{HW}	30	60	---	ns
Data Setup Time from SY6500	T _{DSS}	---	150	200	ns
RDY, S.O. Setup Time	T _{SDY}	100	---	---	ns
SYNC Setup Time from SY6500	T _{SYNC}	---	---	350	ns
Address Hold Time	T _{HA}	30	60	---	ns
R/W Hold Time	T _{HRN}	30	60	---	ns

2 MHz TIMING

CLOCK TIMING - SY6512,13,14,15,16

CHARACTERISTIC	SYMBOL	MIN.	TYP.	MAX.	UNITS
Cycle Time	T _{CYC}	500	---	---	nsec
Clock Pulse Width (Measured at V _{CL} = 0.2V) & 0	PWH ₀	215	---	---	nsec
	PWH ₁	235	---	---	nsec
Fall Time (Measured from 0.2V to V _{CL} = 0.2V)	T _F	---	---	12	nsec
Delay Time between Clocks (Measured at 0.2V)	T _D	0	---	---	nsec

CLOCK TIMING - SY6502, 03, 04, 05, 06

CHARACTERISTIC	SYMBOL	MIN.	TYP.	MAX.	UNITS
Cycle Time	T _{CYC}	500	---	---	ns
φ ₀ (IN) Pulse Width (measured at 1.5V)	PWH ₀	240	---	260	ns
φ ₀ (IN) Rise, Fall Time	TR _{φ₀} , TF _{φ₀}	---	---	10	ns
Delay Time between Clocks (measured at 1.5V)	T _D	5	---	---	ns
φ ₁ (OUT) Pulse Width (measured at 1.5V)	PWH ₁	PWH _{0L} -20	---	PWH _{0L}	ns
φ ₂ (OUT) Pulse Width (measured at 1.5V)	PWH ₂	PWH _{0H} -40	---	PWH _{0H} -10	ns
φ ₁ (OUT) φ ₂ (OUT) Rise, Fall Time (measured .8V to 2.0 V) (load = 50pf + 1 pF)	TR, TF	---	---	25	ns

READ/WRITE TIMING

CHARACTERISTIC	SYMBOL	MIN.	TYP.	MAX.	UNITS
Read/Write Setup Time from SY6500 A	T _{RWS}	---	100	150	ns
Address Setup Time from SY6500 A	T _{ADS}	---	100	150	ns
Memory Read Access Time	T _{ACC}	---	---	300	ns
Data Stability Time Period	T _{DSU}	50	---	---	ns
Data Hold Time - Read	T _{HR}	10	---	---	ns
Data Hold Time - Write	T _{HW}	30	60	---	ns
Data Setup Time from SY6500 A	T _{DSS}	---	75	100	ns
RDY, S.O. Setup Time	T _{SDY}	50	---	---	ns
SYNC Setup Time from SY6500 A	T _{SYNC}	---	---	175	ns
Address Hold Time	T _{HA}	30	60	---	ns
R/W Hold Time	T _{HRN}	30	60	---	ns

COMMON CHARACTERISTICS

Clocks (Φ_1 , Φ_2)

The SY651X requires a two phase non-overlapping clock that runs at the Vcc voltage level.

The SY650X clocks are supplied with an internal clock generator. The frequency of these clocks is externally controlled. Details of this feature are discussed in the SY6502 portion of this data sheet.

Address Bus (A_0 - A_{15}) (See sections on each micro for respective address lines on those devices.)

These outputs are TTL compatible, capable of driving one standard TTL load and 130pf.

Data Bus (D_0 - D_7)

Eight pins are used for the data bus. This is a bi-directional bus, transferring data to and from the device and peripherals. The outputs are tri-state buffers capable of driving one standard TTL load and 130pf.

Data Bus Enable (DBE)

This TTL compatible input allows external control of the tri-state data output buffers and will enable the microprocessor bus driver when in the high state. In normal operation DBE would be driven by the phase two (Φ_2) clock, thus allowing data output from microprocessor only during Φ_2 . During the read cycle, the data bus drivers are internally disabled, becoming essentially an open circuit. To disable data bus drivers externally, DBE should be held low.

Ready (RDY)

This input signal allows the user to single cycle the microprocessor on all cycles except write cycles. A negative transition to the low state during or coincident with phase one (Φ_1) will halt the microprocessor with the output address lines reflecting the current address being fetched. This condition will remain through a subsequent phase two (Φ_2) in which the Ready signal is low. This feature allows microprocessor interfacing with low speed PROMS as well as fast (max. 2 cycle) Direct Memory Access (DMA). If Ready is low during a write cycle, it is ignored until the following read operation.

Interrupt Request (IRQ)

This TTL level input requests that an interrupt sequence begin within the microprocessor. The microprocessor will complete the current instruction being executed before recognizing the request. At that time, the interrupt mask bit in the Status Code Register will be examined. If the interrupt mask flag is not set, the microprocessor will begin an interrupt sequence. The Program Counter and Processor Status Register are stored in the stack. The microprocessor will then set the interrupt mask flag high so that no further interrupts may occur. At the end of this cycle, the program counter low will be loaded from address FFFF, and program counter high from location FFFF, therefore transferring program control to the memory vector located at these addresses. The RDY signal must be in the high state for any interrupt to be recognized. A 3K Ω external resistor should be used for proper wire-OR operation.

Non-Maskable Interrupt (NMI)

A negative going edge on this input requests that a non-maskable interrupt sequence be generated within the microprocessor.

NMI is an unconditional interrupt. Following completion of the current instruction, the sequence of operations defined for IRQ will be performed, regardless of the state interrupt mask flag. The vector address loaded into the program counter, low and high, are locations FFFA and FFFB respectively, thereby transferring program control to the memory vector located at these addresses. The instructions loaded at these locations cause the microprocessor to branch to a non-maskable interrupt routine in memory.

NMI also requires an external 3K Ω resistor to Vcc for proper wire-OR operations.

Inputs IRQ and NMI are hardware interrupts lines that are sampled during Φ_2 (phase 2) and will begin the appropriate interrupt routine on the Φ_1 (phase 1) following the completion of the current instruction.

Set Overflow Flag (S.O.)

A NEGATIVE going edge on this input sets the overflow bit in the Status Code Register. This signal is sampled on the trailing edge of Φ_1 .

SYNC

This output line is provided to identify those cycles in which the microprocessor is doing an OP CODE fetch. The SYNC line goes high during Φ_1 of an OP CODE fetch and stays high for the remainder of that cycle. If the RDY line is pulled low during the Φ_1 clock pulse in which SYNC went high, the processor will stop in its current state and will remain in the state until the RDY line goes high. In this manner, the SYNC signal can be used to control RDY to cause single instruction execution.

Reset

This input is used to reset or start the microprocessor from a power down condition. During the time that this line is held low, writing to or from the microprocessor is inhibited. When a positive edge is detected on the input, the microprocessor will immediately begin the reset sequence.

After a system initialization time of six clock cycles, the mask interrupt flag will be set and the microprocessor will load the program counter from the memory vector locations FFFC and FFFD. This is the start location for program control.

After Vcc reaches 4.75 volts in a power up routine, reset must be held low for at least two clock cycles. At this time the R/W and (SYNC) signal will become valid.

When the reset signal goes high following these two clock cycles, the microprocessor will proceed with the normal reset procedure detailed above.

COMMON CHARACTERISTICS

INSTRUCTION SET — ALPHABETIC SEQUENCE

<p>ADC Add Memory to Accumulator with Carry AND "AND" Memory with Accumulator ASL Shift left One Bit (Memory or Accumulator)</p>	<p>DEC Decrement Memory by One DEX Decrement Index X by One DEY Decrement Index Y by One</p>	<p>PHA Push Accumulator on Stack PHP Push Processor Status on Stack PLA Pull Accumulator from Stack PLP Pull Processor Status from Stack</p>
<p>BCC Branch on Carry Clear BCS Branch on Carry Set BEQ Branch on Result Zero BIT Test Bits in Memory with Accumulator BMI Branch on Result Minus BNE Branch on Result not Zero BPL Branch on Result Plus BRK Force Break BVC Branch on Overflow Clear BVS Branch on Overflow Set</p>	<p>EOR "Exclusive-or" Memory with Accumulator</p> <p>INC Increment Memory by One INX Increment Index X by One INY Increment Index Y by One</p> <p>JMP Jump to New Location JSR Jump to New Location Saving Return Address</p> <p>LDA Load Accumulator with Memory LDX Load Index X with Memory LDY Load Index Y with Memory LSR Shift One Bit Right (Memory or Accumulator)</p> <p>NOP No Operation</p> <p>ORA "OR" Memory with Accumulator</p>	<p>ROL Rotate One Bit Left (Memory or Accumulator) ROR Rotate One Bit Right (Memory or Accumulator) RTI Return from Interrupt RTS Return from Subroutine</p> <p>SBC Subtract Memory from Accumulator with Borrow SEC Set Carry Flag SED Set Decimal Mode SEI Set Interrupt Disable Status STA Store Accumulator in Memory STX Store Index X in Memory STY Store Index Y in Memory</p> <p>TAX Transfer Accumulator to Index X TAY Transfer Accumulator to Index Y TSX Transfer Stack Pointer to Index X TXA Transfer Index X to Accumulator TXS Transfer Index X to Stack Pointer TYA Transfer Index Y to Accumulator</p>
<p>CLC Clear Carry Flag CLD Clear Decimal Mode CLI Clear Interrupt Disable Bit CLV Clear Overflow Flag CMP Compare Memory and Accumulator CPY Compare Memory and Index X CPY Compare Memory and Index Y</p>		

ADDRESSING MODES

ACCUMULATOR ADDRESSING - This form of addressing is represented with a one byte instruction, implying an operation on the accumulator.

IMMEDIATE ADDRESSING - In immediate addressing, the operand is contained in the second byte of the instruction, with no further memory addressing required.

ABSOLUTE ADDRESSING - In absolute addressing, the second byte of the instruction specifies the eight low order bits of the effective address while the third byte specifies the eight high order bits. Thus, the absolute addressing mode allows access to the entire 65K bytes of addressable memory.

ZERO PAGE ADDRESSING - The zero page instructions allow for shorter code and execution times by only fetching the second byte of the instruction and assuming a zero high address byte. Careful use of the zero page can result in significant increase in code efficiency.

INDEXED ZERO PAGE ADDRESSING - (X, Y indexing) - This form of addressing is used in conjunction with the index register and is referred to as "Zero Page, X" or "Zero Page, Y". The effective address is calculated by adding the second byte to the contents of the index register. Since this is a form of "Zero Page" addressing, the content of the second byte references a location in page zero. Additionally due to the "Zero Page" addressing nature of this mode, no carry is added to the high order 8 bits of memory and crossing of page boundaries does not occur.

INDEXED ABSOLUTE ADDRESSING - (X, Y indexing) - This form of addressing is used in conjunction with X and Y index register and is referred to as "Absolute, X", and "Absolute, Y". The effective address is formed by adding the contents of X or Y to the address contained in the second and third bytes of the instruction. This mode allows the index register to contain the index or count value and the instruction to contain the base address. This type of indexing allows any location referencing and the index to modify multiple fields resulting in reduced coding and execution time.

IMPLIED ADDRESSING - In the implied addressing mode, the address containing the operand is implicitly stated in the operation code of the instruction.

RELATIVE ADDRESSING - Relative addressing is used only with branch instructions and establishes a destination for the conditional branch.

The second byte of the instruction becomes the operand which is an "Offset" added to the contents of the lower eight bits of the program counter when the counter is set at the next instruction. The range of the offset is -128 to +127 bytes from the next instruction.

INDEXED INDIRECT ADDRESSING - In indexed indirect addressing (referred to as (Indirect,X)), the second byte of the instruction is added to the contents of the X index register, discarding the carry. The result of this addition points to a memory location on page zero whose contents is the low order eight bits of the effective address. The next memory location in page zero contains the high order eight bits of the effective address. Both memory locations specifying the high and low order bytes of the effective address must be in page zero.

INDIRECT INDEXED ADDRESSING - In indirect indexed addressing (referred to as (Indirect),Y), the second byte of the instruction points to a memory location in page zero. The contents of this memory location is added to the contents of the Y index register, the result being the low order eight bits of the effective address. The carry from this addition is added to the contents of the next page zero memory location, the result being the high order eight bits of the effective address.

ABSOLUTE INDIRECT - The second byte of the instruction contains the low order eight bits of a memory location. The high order eight bits of that memory location is contained in the third byte of the instruction. The contents of the fully specified memory location is the low order byte of the effective address. The next memory location contains the high order byte of the effective address which is loaded into the sixteen bits of the program counter.

SY6502 - 40 Pin Package

V _{ss}	1	40	RES
RDY	2	39	ϕ_2 (OUT)
ϕ_1 (OUT)	3	38	S.O.
IRQ	4	37	ϕ_0 (IN)
N.C.	5	36	N.C.
NMI	6	35	N.C.
SYNC	7	34	R/W
V _{cc}	8	33	DB0
AB0	9	32	DB1
AB1	10	31	DB2
AB2	11	30	DB3
AB3	12	29	DB4
AB4	13	28	DB5
AB5	14	27	DB6
AB6	15	26	DB7
AB7	16	25	AB15
AB8	17	24	AB14
AB9	18	23	AB13
AB10	19	22	AB12
AB11	20	21	V _{ss}

SY6502

- * 65K Addressable Bytes of Memory
- * $\overline{\text{IRQ}}$ Interrupt * $\overline{\text{NMI}}$ Interrupt
- * On-the-chip Clock
 - ✓ TTL Level Single Phase Input
 - ✓ RC Time Base Input
 - ✓ Crystal Time Base Input
- * SYNC Signal
(can be used for single instruction execution)
- * RDY Signal
(can be used for single cycle execution)
- * Two Phase Output Clock for Timing of Support Chips

Features of SY6502

SY6503 - 28 Pin Package

RES	1	28	ϕ_2 (OUT)
V _{ss}	2	27	ϕ_0 (IN)
IRQ	3	26	R/W
NMI	4	25	DB0
V _{cc}	5	24	DB1
AB0	6	23	DB2
AB1	7	22	DB3
AB2	8	21	DB4
AB3	9	20	DB5
AB4	10	19	DB6
AB5	11	18	DB7
AB6	12	17	AB11
AB7	13	16	AB10
AB8	14	15	AB9

SY6503

- * 4K Addressable Bytes of Memory (AB00-AB11)
- * On-the-chip Clock
- * $\overline{\text{IRQ}}$ Interrupt
- * $\overline{\text{NMI}}$ Interrupt
- * 8 Bit Bi-Directional Data Bus

Features of SY6503

SY6504 - 28 Pin Package

RES	1	28	ϕ_2 (OUT)
V _{ss}	2	27	ϕ_0 (IN)
$\overline{\text{IRQ}}$	3	26	R/W
V _{cc}	4	25	DB0
AB0	5	24	DB1
AB1	6	23	DB2
AB2	7	22	DB3
AB3	8	21	DB4
AB4	9	20	DB5
AB5	10	19	DB6
AB6	11	18	DB7
AB7	12	17	AB12
AB8	13	16	AB11
AB9	14	15	AB10

SY6504

- * 8K Addressable Bytes of Memory (AB00-AB12)
- * On-the-chip Clock
- * $\overline{\text{IRQ}}$ Interrupt
- * 8 Bit Bi-Directional Data Bus

Features of SY6504

SY6505 - 28 Pin Package

RES	1	28	ϕ_2 (OUT)
V _{ss}	2	27	ϕ_0 (IN)
RDY	3	26	R/W
\overline{IRQ}	4	25	DB0
V _{cc}	5	24	DB1
AB0	6	23	DB2
AB1	7	22	DB3
AB2	8	21	DB4
AB3	9	20	DB5
AB4	10	19	DB6
AB5	11	18	DB7
AB6	12	17	AB11
AB7	13	16	AB10
AB8	14	15	AB9

SY6505

- * 4K Addressable Bytes of Memory (AB00-AB11)
- * On-the-chip Clock
- * \overline{IRQ} Interrupt
- * RDY Signal
- * 8 Bit Bi-Directional Data Bus

Features of SY6505

SY6506 - 28 Pin Package

RES	1	28	ϕ_2 (OUT)
V _{ss}	2	27	ϕ_0 (IN)
ϕ_1 (OUT)	3	26	R/W
\overline{IRQ}	4	25	DB0
V _{cc}	5	24	DB1
AB0	6	23	DB2
AB1	7	22	DB3
AB2	8	21	DB4
AB3	9	20	DB5
AB4	10	19	DB6
AB5	11	18	DB7
AB6	12	17	AB11
AB7	13	16	AB10
AB8	14	15	AB9

SY6506

- * 4K Addressable Bytes of Memory (AB00-AB11)
- * On-the-chip Clock
- * \overline{IRQ} Interrupt
- * Two phases off
- * 8 Bit Bi-Directional Data Bus

Features of SY6506

SY6512 - 40 Pin Package

V _{ss}	1	40	RES
RDY	2	39	ϕ_2 (OUT)
ϕ_1	3	38	S.O.
\overline{IRQ}	4	37	ϕ_2
V _{ss}	5	36	DBE
\overline{NMI}	6	35	N.C.
SYNC	7	34	R/W
V _{cc}	8	33	DB0
AB0	9	32	DB1
AB1	10	31	DB2
AB2	11	30	DB3
AB3	12	29	DB4
AB4	13	28	DB5
AB5	14	27	DB6
AB6	15	26	DB7
AB7	16	25	AB15
AB8	17	24	AB14
AB9	18	23	AB13
AB10	19	22	AB12
AB11	20	21	V _{ss}

SY6512

- * 65K Addressable Bytes of Memory
- * \overline{IRQ} Interrupt
- * \overline{NMI} Interrupt
- * RDY Signal
- * 8 Bit Bi-Directional Data Bus
- * SYNC Signal
- * Two phase input
- * Data Bus Enable

Features of SY6512

SY6513 – 28 Pin Package

Vss	1	28	RES
\emptyset_1	2	27	\emptyset_2
\overline{IRQ}	3	26	R/W
\overline{NMI}	4	25	DB0
Vcc	5	24	DB1
AB0	6	23	DB2
AB1	7	22	DB3
AB2	8	21	DB4
AB3	9	20	DB5
AB4	10	19	DB6
AB5	11	18	DB7
AB6	12	17	AB11
AB7	13	16	AB10
AB8	14	15	AB9

SY6513

- * 4K Addressable Bytes of Memory (AB00-AB11)
- * Two phase clock input
- * \overline{IRQ} Interrupt
- * \overline{NMI} Interrupt
- * 8 Bit Bi-Directional Data Bus

Features of SY6513

SY6514 – 28 Pin Package

Vss	1	28	RES
\emptyset_1	2	27	\emptyset_2
\overline{IRQ}	3	26	R/W
Vcc	4	25	DB0
AB0	5	24	DB1
AB1	6	23	DB2
AB2	7	22	DB3
AB3	8	21	DB4
AB4	9	20	DB5
AB5	10	19	DB6
AB6	11	18	DB7
AB7	12	17	AB12
AB8	13	16	AB11
AB9	14	15	AB10

SY6514

- * 8K Addressable Bytes of Memory (AB00-AB12)
- * Two phase clock input
- * \overline{IRQ} Interrupt
- * 8 Bit Bi-Directional Data Bus

Features of SY6514

SY6515 – 28 Pin Package

Vss	1	28	RES
RDY	2	27	\emptyset_2
\emptyset_1	3	26	R/W
\overline{IRQ}	4	25	DB0
Vcc	5	24	DB1
AB0	6	23	DB2
AB1	7	22	DB3
AB2	8	21	DB4
AB3	9	20	DB5
AB4	10	19	DB6
AB5	11	18	DB7
AB6	12	17	AB11
AB7	13	16	AB10
AB8	14	15	AB9

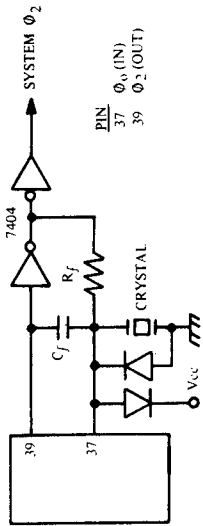
SY6515

- * 4K Addressable Bytes of Memory (AB00-AB11)
- * Two phase clock input
- * \overline{IRQ} Interrupt
- * 8 Bit Bi-Directional Data Bus

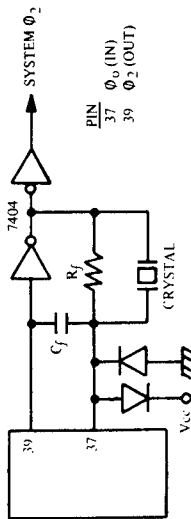
Features of SY6515

TIME BASE GENERATION OF INPUT CLOCK

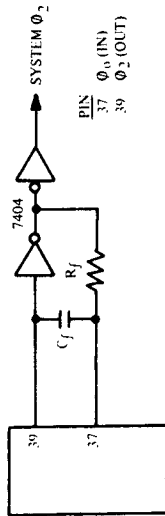
SY6502



SY6502 Parallel Mode Crystal Controlled Oscillator

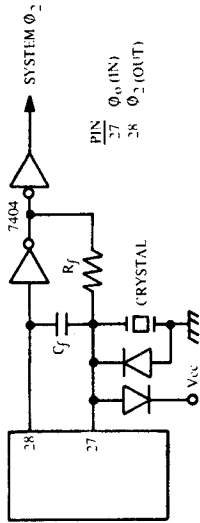


SY6502 Series Mode Crystal Controlled Oscillator

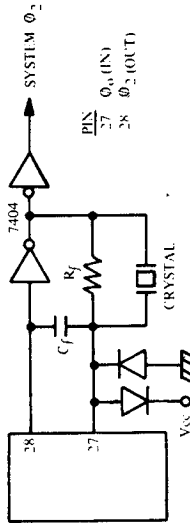


SY6502 Time Base Generator - RC Network

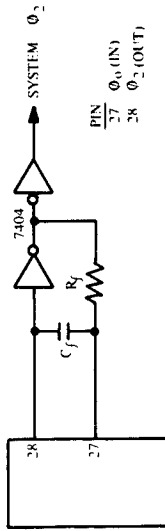
SY6503, SY6504, SY6505, SY6506



SY6503, 4, 5, 6 Parallel Mode Crystal Controlled Oscillator



SY6503, 4, 5, 6 Series Mode Crystal Controlled Oscillator



SY6503, 4, 5, 6 Time Base Generation RC Network

APPENDIX J
SY6522 DATA SHEET

Synertek®



3050 Coronado Drive, Santa Clara, CA. 95051
(408) 984-8900 TWX 910-338-0135

SY6522

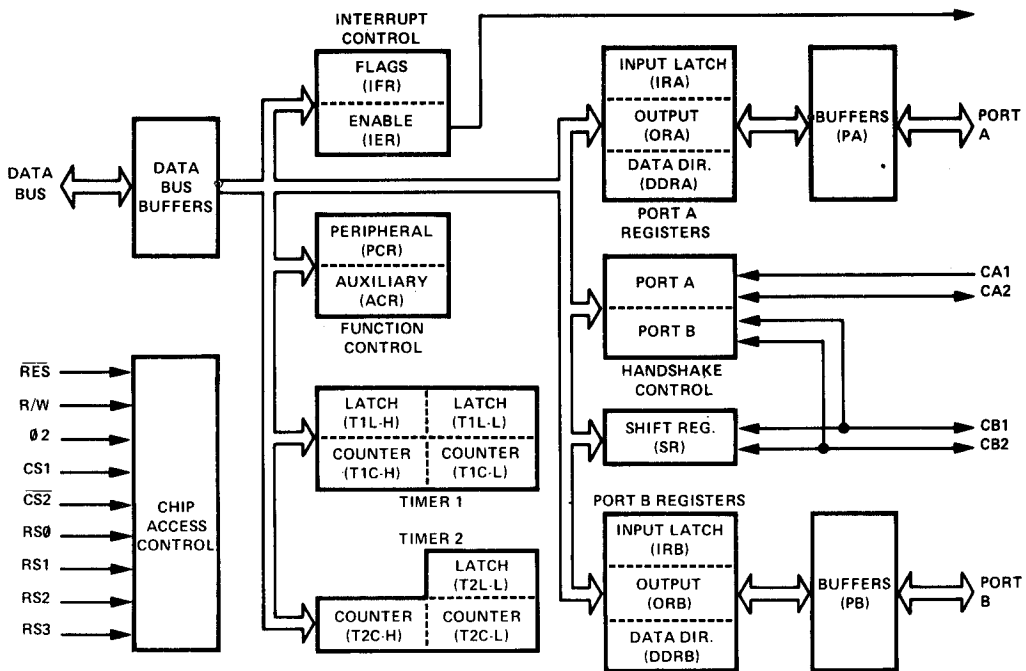
SY6522 (VERSATILE INTERFACE ADAPTER)

The SY6522 Versatile Interface Adapter (VIA) provides all of the capability of the SY6520. In addition, this device contains a pair of very powerful interval timers, a serial-to-parallel/parallel-to-serial shift register and input data latching on the peripheral ports. Expanded handshaking capability allows control of bi-directional data transfers between VIA's in multiple processor systems.

Control of peripheral devices is handled primarily through two 8-bit bi-directional ports. Each of these lines can be programmed to act as either an input or an output. Also, several peripheral I/O lines can be controlled directly from the interval timers for generating programmable frequency square waves and for counting externally generated pulses. To facilitate control of the many powerful features of this chip, the internal registers have been organized into an interrupt flag register, an interrupt enable register and a pair of function control registers.

- Very powerful expansion of basic SY6520 capability.
- N channel, depletion load technology, single +5V Supply.
- Completely static and TTL compatible.
- CMOS compatible peripheral control lines.
- Expanded "handshake" capability allows very positive control of data transfers between processor and peripheral devices.

Figure 1. SY6522 BLOCK DIAGRAM



MAXIMUM RATINGS

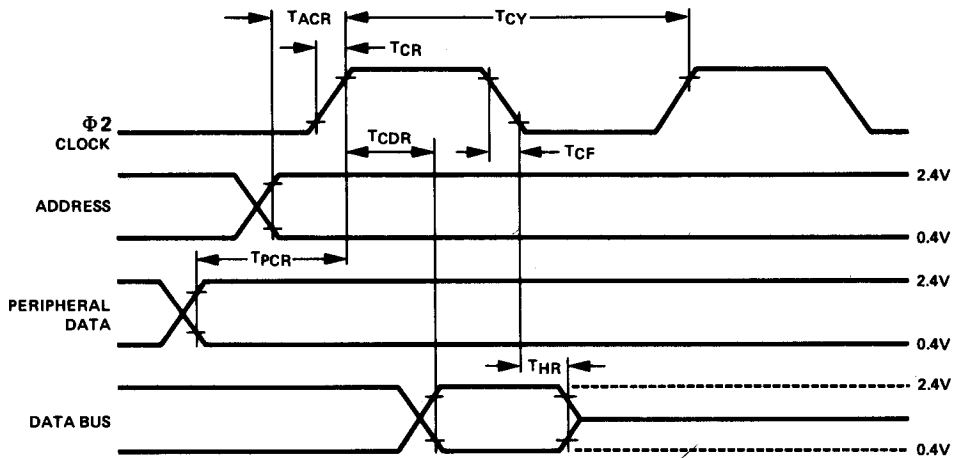
	Symbol	Value	Unit
Supply Voltage	V _{CC}	-0.3 to +7.0	Vdc
Input Voltage	V _{IN}	-0.3 to +7.0	Vdc
Operating Temperature Range	T _A	0 to +70	°C
Storage Temperature Range	T _{stg}	-55 to +150	°C

This device contains circuitry to protect the inputs against damage due to high static voltages. However, it is advised that normal precautions be taken to avoid application of any voltage higher than maximum rated voltages.

Electrical Characteristics (V_{CC} = 5.0V ±5%, V_{SS} = 0, T_A = 0°C to 70°C unless otherwise noted)

CHARACTERISTIC	SYMBOL	MIN	TYP	MAX	UNIT
Input high voltage (normal operation)	V _{IH}	+2.4	—	V _{CC}	Vdc
Input Low Voltage (normal operation)	V _{IL}	-0.3	—	+0.4	Vdc
Input Leakage current - V _{IN} = 0 to 5 Vdc R/W, \overline{RES} , RS0, RS1, RS2, RS3, CS1, $\overline{CS2}$, CA1, Φ 2	I _{IN}	—	±1.0	±2.5	μAdc
Off-state input current - V _{IN} = .4 to 2.4 V V _{CC} = Max, D0 to D7	I _{TSI}	—	±2.0	±10	μAdc
Input high current - V _{IH} = 2.4 V PA0 - PA7, CA2, PB0 - PB7, CB1, CB2	I _{IH}	-100	-250	—	μAdc
Input low current - V _{IL} = 0.4 Vdc PA0 - PA7, CA2, PB0 - PB7, CB1, CB2	I _{IL}	—	-1.0	-1.6	mAdc
Output high voltage V _{CC} = min, I _{load} = -100 μAdc PA0 - PA7, CA2, PB0 - PB7, CB1, CB2	V _{OH}	2.4	—	—	Vdc
Output low voltage V _{CC} = min, I _{load} = 1.6 mAdc	V _{OL}	—	—	+0.4	Vdc
Output high current (sourcing) V _{OH} = 2.4 V V _{OH} = 1.5 V, PB0 - PB7, CB1, CB2	I _{OH}	-100 -3.0	-1000 -5.0	— —	μAdc mAdc
Output low current (sinking) V _{OL} = 0.4 Vdc	I _{OIL}	1.6	—	—	mAdc
Output leakage current (off state) \overline{IRQ}	I _{off}	—	1.0	10	μAdc
Input capacitance - T _A = 25°C, f = 1 Mhz R/W, \overline{RES} , RS0, RS1, RS2, RS3, CS1, $\overline{CS2}$ DO - D7, PA0 - PA7, CA1, CA2, PB0 - PB7, CB1, CB2 Φ 2 input	C _{in}	— — —	— — —	7.0 10 20	pF pF pF
Output capacitance - T _A = 25°C, f = 1 Mhz	C _{out}	—	—	10	pF
Power dissipation	P _d	—	—	1000	MW

Figure 2. READ TIMING CHARACTERISTICS



DYNAMIC CHARACTERISTICS

Read Timing Characteristics (Figure 2, loading 130 pF and one TTL load)

Characteristic	Symbol	Min	Typ	Max	Unit
Cycle time	T_{CY}	1	—	50	μs
Delay time, address valid to clock positive transition	T_{ACR}	180	—	—	nS
Delay time, clock positive transition to data valid on bus	T_{CDR}	—	—	395	nS
Peripheral data setup time	T_{PCR}	300	—	—	nS
Data bus hold time	T_{THR}	10	—	—	nS
Rise and fall time for clock input	T_{TCR} T_{TCF}	—	—	25	nS

Write Timing Characteristics (Figure 3)

Characteristic	Symbol	Min	Typ	Max	Unit
Cycle Time	T_{CY}	1	—	50	μS
Enable pulse width	T_C	0.47	—	25	μS
Delay time, address valid to clock positive transition	T_{ACW}	180	—	—	nS
Delay time, data valid to clock negative transition	T_{DCW}	300	—	—	nS
Delay time, read/write negative transition to clock positive transition	T_{WCW}	180	—	—	nS
Data bus hold time	T_{HW}	10	—	—	nS
Delay time, Enable negative transition to peripheral data valid	T_{CPW}	—	—	1.0	μS
Delay time, clock negative transition to peripheral data valid CMOS ($V_{CC} - 30\%$)	T_{CMOS}	—	—	2.0	μS

Figure 3. WRITE TIMING CHARACTERISTICS

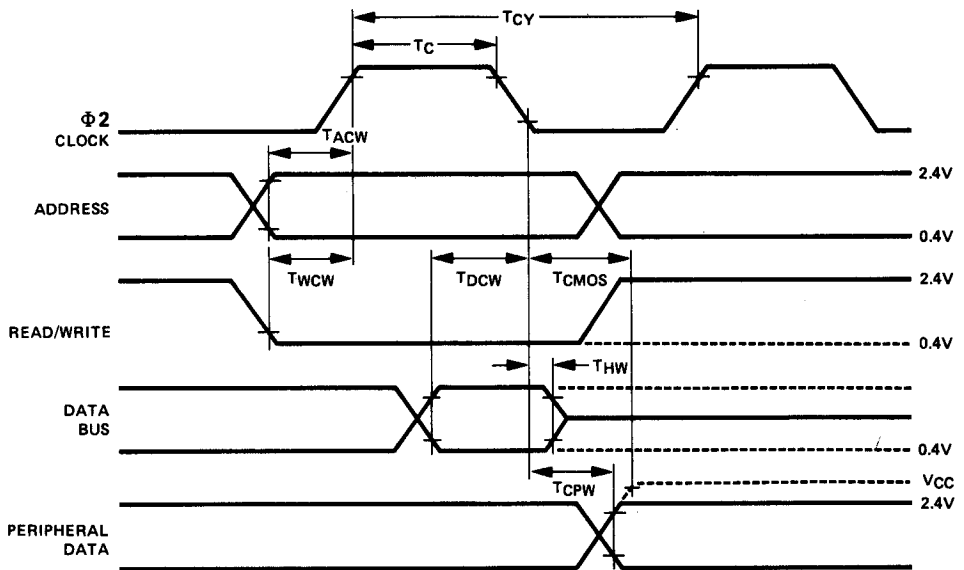
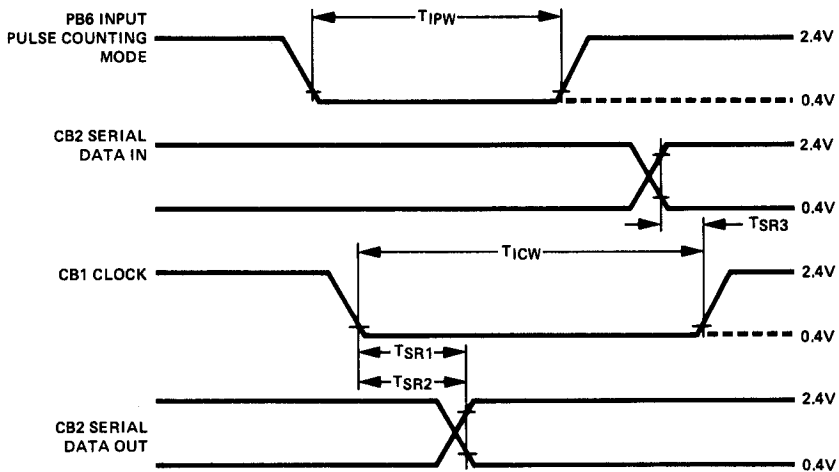


Figure 4. I/O TIMING CHARACTERISTICS



PERIPHERAL INTERFACE CHARACTERISTICS

Characteristic	Symbol	Min	Typ	Max	Unit
Rise and fall time for CA1, CB1, CA2, and CB2 input signals.	TRF	—	—	1.0	μS
Delay time, clock negative transition to CA2 negative transition (read handshake or pulse mode).	TCA2	—	—	1.0	μS
Delay time, clock negative transition to CA2 positive transition (pulse mode).	TRS1	—	—	1.0	μS
Delay time, CA1 active transition to CA2 positive transition (handshake mode).	TRS2	—	—	2.0	μS
Delay time, clock positive transition to CA2 or CB2 negative transition (write handshake).	TWHS	—	—	1.0	μS
Delay time, peripheral data valid to CB2 negative transition.	TDC	0	—	1.5	μS
Delay time, clock positive transition to CA2 or CB2 positive transition (pulse mode).	TRS3	—	—	1.0	μS
Delay time, CB1 active transition to CA2 or CB2 positive transition (handshake mode).	TRS4	—	—	2.0	μS
Delay time, peripheral data valid to CA1 or CB1 active transition (input latching).	TIL	300	—	—	nS
Delay time, CB1 negative transition to CB2 data valid (internal SR clock, shift out).	TSR1	—	—	300	nS
Delay time, negative transition of CB1 input clock to CB2 data valid (external clock, shift out).	TSR2	—	—	300	nS
Delay time, CB2 data valid to positive transition of CB1 clock (shift in, internal or external clock)	TSR3	—	—	300	nS
Pulse Width - PB6 Input Pulse	TIPW	2	—	—	μS
Pulse Width - CB1 Input Clock	TICW	2	—	—	μS
Pulse Spacing - PB6 Input Pulse	IIPS	2	—	—	μS
Pulse Spacing - CB1 Input Pulse	IICS	2	—	—	μS

PROCESSOR INTERFACE

This section contains a description of the buses and control lines which are used to interface the SY6522 to the system processor. Electrical parameters associated with this interface are specified elsewhere in this document.

1. Phase Two Clock ($\Phi 2$)

Data transfers between the SY6522 and the system processor take place only while the Phase Two Clock is high. In addition, $\Phi 2$ acts as the time base for the various timers, shift registers, etc. on the chip.

2. Chip Select Lines ($CS1$, $\overline{CS2}$)

The two chip select inputs are normally connected to processor address lines either directly or through decoding. The selected SY6522 register will be accessed when $CS1$ is high and $\overline{CS2}$ is low.

3. Register Select Lines ($RS0$, $RS1$, $RS2$, $RS3$)

The four Register select lines are normally connected to the processor address bus lines to allow the processor to select the internal SY6522 register which is to be accessed. The sixteen possible combinations access the registers as follows:

RS3	RS2	RS1	RS0	REGISTER	REMARKS
L	L	L	L	ORB, IRB	
L	L	L	H	ORA, IRA	Controls Handshake
L	L	H	L	DDR _B	
L	L	H	H	DDR _A	
L	H	L	L	T1L-L	Write Latch Read Counter
L	H	L	H	T1C-H	Trigger T1L-L/ T1C-L Transfer
L	H	H	L	T1L-L	
L	H	H	H	T1L-H	
H	L	L	L	T2L-L T2C-L	Write Latch Read Counter
H	L	L	H	T2C-H	Triggers T2L-L/ T2C-L Transfer
H	L	H	L	SR	
H	L	H	H	ACR	
H	H	L	L	PCR	
H	H	L	H	IFR	
H	H	H	L	IER	
H	H	H	H	ORA	No Effect on Handshake

NOTE: $L \leq 0.4V$

$H \geq 2.4V$

4. Read/Write Line (R/W)

The direction of the data transfers between the SY6522 and the system processor is controlled by the R/W line. If R/W is low, data will be transferred out of the processor into the selected SY6522 register (write operation). If R/W is high and the chip is selected, data will be transferred out of the SY6522 (read operation).

5. Data Bus (DB0 - DB7)

The 8 bi-directional data bus lines are used to transfer data between the SY6522 and the system processor. The internal drivers will remain in the high-impedance state except when the chip is selected ($CS1=HI$, $\overline{CS2}=LO$), Read/Write is high and the Phase Two Clock is high. At this time, the contents of the selected register are placed on the data bus. When the chip is selected, with Read/Write low and $\Phi 2 = 1$, the data on the data bus will be transferred into the selected SY6522 register.

6. Reset (\overline{RES})

The reset input clears all internal registers to logic 0 (except T1, T2 and SR). This places all peripheral interface lines in the input state, disables the timers, shift register, etc. and disables interrupting from the chip.

7. Interrupt Request (\overline{IRQ})

The Interrupt Request output goes low whenever an internal interrupt flag is set and the corresponding interrupt enable bit is a logic 1. This output is "open-drain" to allow the interrupt request signal to be "wire-or'ed" with other equivalent signals in the system.

PERIPHERAL INTERFACE

This section contains a brief description of the buses and control lines which are used to drive peripheral devices under control of the internal SY6522 registers.

1. Peripheral A Port (PA0 - PA7)

The Peripheral A port consists of 8 lines which can be individually programmed to act as an input or an output under control of a Data Direction Register. The polarity of output pins is controlled by an Output Register and input data can be latched into an internal register under control of the CA1 line. All of these modes of operation are controlled by the system processor through the internal control registers. These lines represent one standard TTL load in the input mode and will drive one standard TTL load in the output mode.

2. Peripheral A Control Lines (CA1, CA2)

The two peripheral A control lines act as interrupt inputs or as handshake outputs. Each line controls an internal interrupt flag with a corresponding interrupt enable bit. In addition, CA1 controls the latching of data on Peripheral A Port Input lines. The various modes of operation are controlled by the system processor through the internal control registers. CA1 is a high-impedance input only while CA2 represents one standard TTL load in the input mode. CA2 will drive one standard TTL load in the output mode.

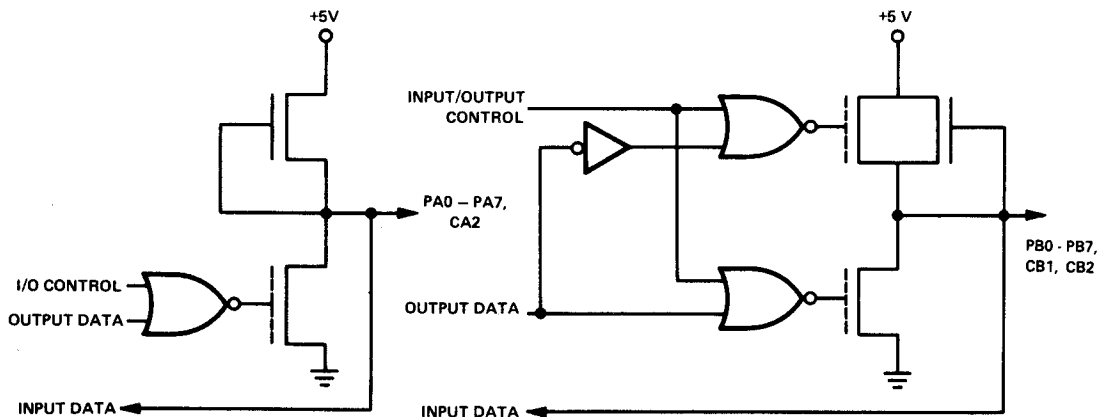
3. Peripheral B Port (PB0 - PB7)

The Peripheral B Port consists of 8 bi-directional lines which are controlled by an output register and a data direction register in much the same manner as the PA port. In addition, the polarity of the PB7 output signal can be controlled by one of the interval timers while the second timer can be programmed to count pulses on the PB6 pin. These lines represent one standard TTL load in the input mode and will drive one standard TTL load in the output mode. In addition, they are capable of sourcing 3.0 ma at 1.5 VDC in the output mode to allow the outputs to directly drive Darlington transistor switches.

4. Peripheral B Control Lines (CB1, CB2)

The Peripheral B control lines act as interrupt inputs or as handshake outputs. As with CA1 and CA2, each line controls an interrupt flag with a corresponding interrupt enable bit. In addition, these lines act as a serial port under control of the Shift Register. These lines represent one standard TTL load in the input mode and will drive one standard TTL load in the output mode. In addition, they are capable of sourcing 3.0 ma at 1.5 VDC in the output mode to allow the outputs to directly drive Darlington transistor switches.

Figure 5. PERIPHERAL DATA OUTPUT BUFFERS



SY6522 OPERATION

This section contains a discussion of the various blocks of logic shown in Figure 1. In addition, the internal operation of the SY6522 is described in detail.

A. Data Bus Buffers (DB), Peripheral A Buffers (PA), Peripheral B Buffers (PB)

The characteristics of the buffers which provide the required voltage and current drive capability were discussed in the previous section. Electrical parameters for these buffers are specified elsewhere in this document.

B. Chip Access Control

The Chip Access Control contains the necessary logic to detect the chip select condition and to decode the Register Select inputs to allow accessing the desired internal registers. In addition, the R/W and $\Phi 2$ signals are utilized to control the direction and timing of data transfers. When writing into the SY6522, data is first latched into a data input register during $\Phi 2$. Data is then transferred into the desired internal register during $\Phi 2$ · Chip Select. This allows the peripheral I/O lines to change states cleanly. When the processor reads the SY6522, data is transferred from the desired internal register directly onto the Data Bus during $\Phi 2$.

C. Port A Registers, Port B Registers

Three registers are used in accessing each of the 8-bit peripheral ports. Each port has a Data Direction Register (DDRA, DDRB) for specifying whether the peripheral pins are to act as inputs or outputs. A 0 in a bit of the Data Direction Register causes the corresponding peripheral pin to act as an input. A 1 causes the pin to act as an output.

Each peripheral pin is also controlled by a bit in the Output Register (ORA, ORB) and an Input Register (IRA, IRB). When the pin is programmed to act as an output, the voltage on the pin is controlled by the corresponding bit of the Output Register. A 1 in the Output Register causes the pin to go high, and a 0 causes the pin to go low. Data can be written into Output Register bits corresponding to pins which are programmed to act as inputs; however, the pin will be unaffected.

Reading a peripheral port causes the contents of the Input Register (IRA, IRB) to be transferred onto the Data Bus. With input latching disabled, IRA will always reflect the data on the PA pins. With input latching enabled, IRA will reflect the contents of the Port A prior to setting the CA1 Interrupt Flag (IFR1) by an active transition on CA1.

The IRB register operates in a similar manner. However, for output pins, the corresponding IRB bit will reflect the contents of the Output Register bit instead of the actual pin. This allows proper data to be read into the processor if the output pin is not allowed to go to full voltage. With input latching enabled on Port B, setting CB1 interrupt flag will cause the IRB to latch this combination of input data and ORB data until the interrupt flag is cleared.

D. Handshake Control

The SY6522 allows very positive control of data transfers between the system processor and peripheral devices through the operation of "handshake" lines. Port A lines (CA1, CA2) handshake data on both a read and a write operation while the Port B lines (CB1, CB2) handshake on a write operation only.

Read Handshake

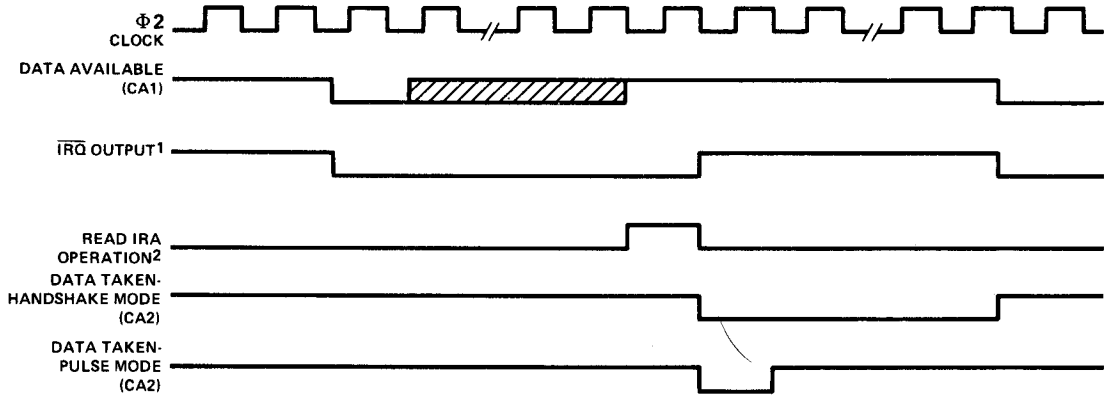
Positive control of data transfers from peripheral devices into the system processor can be accomplished very effectively using "Read" handshaking. In this case, the peripheral device must generate "Data Ready" to signal the processor that valid data is present on the peripheral port. This signal normally interrupts the processor, which then reads the data, causing generation of a "Data Taken" signal. The peripheral device responds by making new data available. This process continues until the data transfer is complete.

In the SY6522, automatic "Read" handshaking is possible on the Peripheral A port only. The CA1 interrupt input pin accepts the "Data Ready" signal and CA2 generates the "Data Taken" signal. The Data Ready signal will set an internal flag which may interrupt the processor or which can be polled under software control. The Data Taken signal can either be a pulse or a level which is set low by the system processor and is cleared by the Data Ready signal. These options are shown in Figure 6 which illustrates the normal Read Handshaking sequence.

Write Handshake

The sequence of operations which allows handshaking data from the system processor to a peripheral device is very similar to that described in Section A for Read Handshaking. However, for "Write" handshaking, the processor must generate the "Data Ready" signal (through the SY6522) and the peripheral device must respond with the "Data Taken" signal. This can be accomplished on both the PA port and the PB port on the SY6522. CA2 or CB2 acts as a Data Ready Output in either the DC level or pulse mode and CA1 or CB1 accepts the "Data Taken" signal from the peripheral device, setting the interrupt flag and clearing the "Data Ready" output. This sequence is shown in Figure 7.

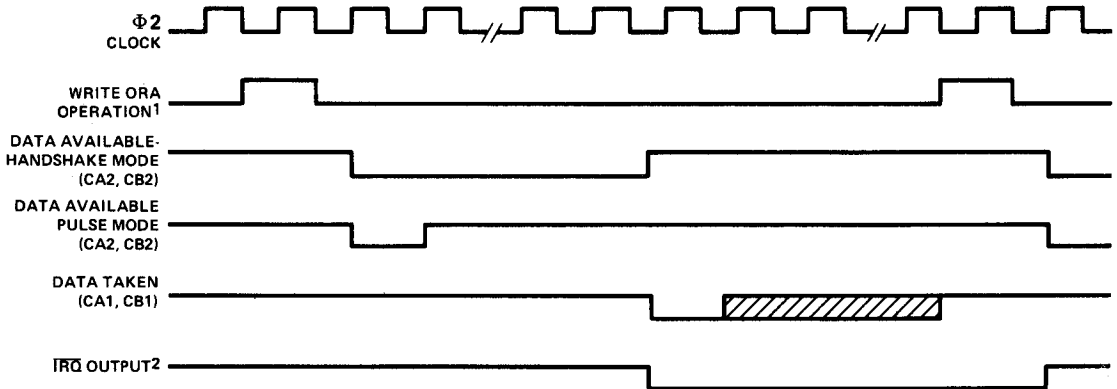
Figure 6. READ HANDSHAKE TIMING SEQUENCE



NOTES:

1. Signals "data available" to the system processor.
2. R/W = 1, $\overline{CS2}$ = 0, CS1 = 1, RS2 = 0, RS3 = 0, RS0 = 1.

Figure 7. WRITE HANDSHAKE TIMING SEQUENCE



NOTES:

1. R/W = 0, $\overline{CS2}$ = 0, CS1 = 1, RS3 = 0, RS2 = 0, RS1 = 0, RS0 = 1.
2. Signals "data taken" to the system processor.

E. Timer 1

Interval Timer T1 consists of two 8-bit latches and a 16-bit counter. The latches are used to store data which is to be loaded into the counter. After loading, the counter decrements at system clock rate, i.e., under control of the clock applied to the Phase Two input pin. Upon reaching zero, an interrupt flag will be set, and \overline{IRQ} will go low. The timer will then disable any further interrupts, or will automatically transfer the contents of the latches into the counter and will continue to decrement. In addition, the timer can be instructed to invert the output signal on a peripheral pin each time it "times-out". Each of these modes is discussed separately below.

Writing the Timer 1 Registers

The operations which take place when writing to each of the four T1 addresses are as follows:

RS3	RS2	RS1	RS0	Operation (R/W = L)
L	H	L	L	Write into low order latch.
				Write into high order latch.
L	H	L	H	Write into high order counter. Transfer low order latch into low order counter. Reset T1 interrupt flag.
L	H	H	L	Write into low order latch.
L	H	H	H	Write into high order latch. Reset T1 interrupt flag.

Note that the processor does not write directly into the low order counter (T1C-L). Instead, this half of the counter is loaded automatically from the low order latch when the processor writes into the high order counter. In fact, it may not be necessary to write to the low order counter in some applications since the timing operation is triggered by writing to the high order counter.

The second set of addresses allows the processor to write into the latch register without affecting the count-down in progress. This is discussed in detail below.

Reading the Timer 1 Registers

For reading the Timer 1 registers, the four addresses relate directly to the four registers as follows.

RS3	RS2	RS1	RS0	Operation (R/W = H)
L	H	L	L	Read T1 low order counter. Reset T1 interrupt flag.
L	H	L	H	Read T1 high order counter.
L	H	H	L	Read T1 low order latch.
L	H	H	H	Read T1 high order latch.

Timer 1 Operating Modes

Two bits are provided in the Auxiliary Control Register to allow selection of the T1 operating modes. These bits and the four possible modes are as follows:

ACR7 Output Enable	ACR6 "Free-Run" Enable	Mode
0	0	Generate a single time-out interrupt each time T1 is loaded. PB7 disabled.
0	1	Generate continuous interrupts. PB7 disabled.
1	0	Generate a single interrupt and an output pulse on PB7 for each T1 load operation.
1	1	Generate continuous interrupts and a square wave output on PB7.

TIMER 1 ONE-SHOT MODE

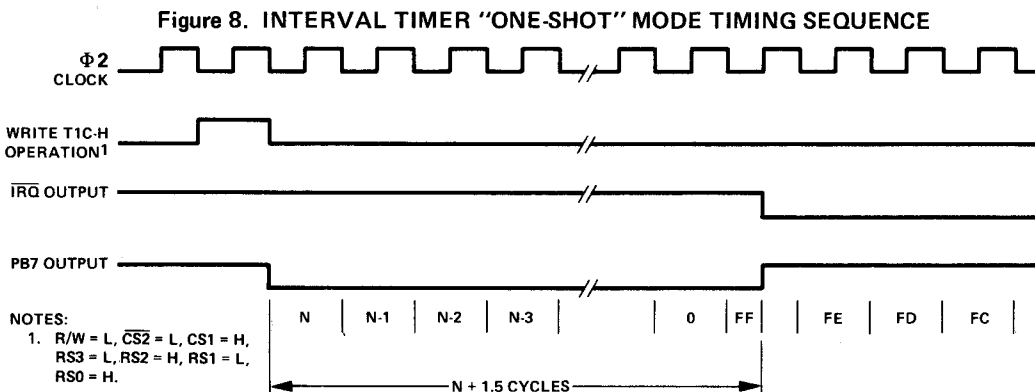
The interval timer one-shot mode allows generation of a single interrupt for each timer load operation. As with any interval timer, the delay between the "write T1C-H" operation and generation of the processor interrupt is a direct function of the data loaded into the timing counter. In addition to generating a single interrupt, Timer 1 can be programmed to produce a single negative pulse on the PB7 peripheral pin. With the output enabled (ACR7=1) a "write T1C-H" operation will cause PB7 to go low. PB7 will return high when Timer 1 times out. The result is a single programmable width pulse.

NOTE

PB7 will act as an output if DDRB7 = 1 or if ACR7 = 1. However, if both DDRB7 and ACR7 are logic 1, PB7 will be controlled from Timer 1 and ORB7 will have no effect on the pin.

In the one-shot mode, writing into the high order latch has no effect on the operation of Timer 1. However, it will be necessary to assure that the low order latch contains the proper data before initiating the count-down with a "write T1C-H" operation. When the processor writes into the high order counter, the T1 interrupt flag will be cleared, the contents of the low order latch will be transferred into the low order counter, and the timer will begin to decrement at system clock rate. If the PB7 output is enabled, this signal will go low on the phase two following the write operation. When the counter reaches zero, the T1 interrupt flag will be set, the $\overline{\text{IRQ}}$ pin will go low (interrupt enabled), and the signal on PB7 will go high. At this time the counter will continue to decrement at system clock rate. This allows the system processor to read the contents of the counter to determine the time since interrupt. However, the T1 interrupt flag cannot be set again unless it has been cleared as described elsewhere in this specification.

Timing for the SY6522 interval timer one-shot modes is shown in figure 8.



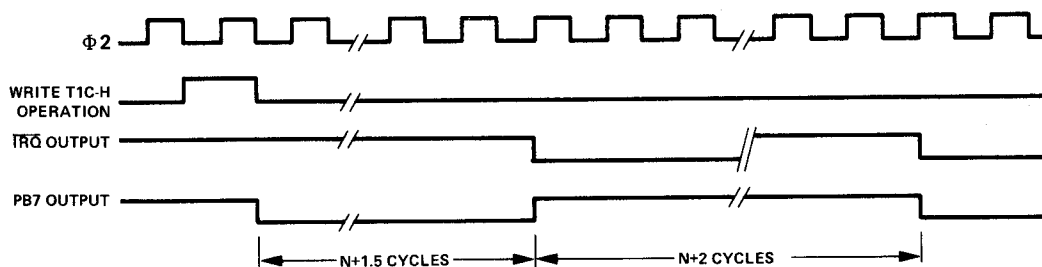
TIMER 1 FREE-RUNNING MODE

The most important advantage associated with the latches in T1 is the ability to produce a continuous series of evenly spaced interrupts and the ability to produce a square wave on PB7 whose frequency is not affected by variations in the processor interrupt response time. This is accomplished in the "free-running" mode.

In the free-running (ACR6 = 1), the interrupt flag is set and the signal on PB7 is inverted each time the counter reaches zero. However, instead of continuing to decrement from zero after a time-out, the timer automatically transfers the contents of the latch into the counter (16 bits) and continues to decrement from there. The interrupt flag can be cleared by writing T1C-H, by reading T1C-L, or by writing directly into the flag as described below. However, it is not necessary to rewrite the timer to enable setting the interrupt flag on the next time-out.

All interval timers in the SY6500 family devices are "re-triggerable". Rewriting the counter will always re-initialize the time-out period. In fact, the time-out can be prevented completely if the processor continues to rewrite the timer before it reaches zero. Timer 1 will operate in this manner if the processor writes into the high order counter (T1C-H). However, by loading the latches only, the processor can access the timer during each down-counting operation without affecting the time-out in process. Instead, the data loaded into the latches will determine the length of the next time-out period. This capability is particularly valuable in the free-running mode with the output enabled. In this mode, the signal on PB7 is inverted and the interrupt flag is set with each time-out. By responding to the interrupts with new data for the latches, the processor can determine the period of the next half cycle during each half cycle of the output signal on PB7. In this manner, very complex waveforms can be generated. Timing for the free-running mode is shown in Figure 9.

Figure 9. TIMER 1 "FREE-RUNNING" MODE



F. Timer 2

Timer 2 operates as an interval timer (in the "one-shot" mode only), or as a counter for counting negative pulses on the PB6 peripheral pin. A single control bit is provided in the Auxiliary Control Register to select between these two modes. This timer is comprised of a "write-only" low-order latch (T2L-L), a "read-only" low-order counter and a read/write high order counter. The counter registers act as a 16-bit counter which decrements at $\Phi 2$ rate.

Timer 2 addressing can be summarized as follows:

RS3	RS2	RS1	RS0	R/W = 0	R/W = 1
H	L	L	L	Write T2L-L	Read T2C-L Clear Interrupt flag
H	L	L	H	Write T2C-H Transfer T2L-L to T2C-L Clear Interrupt flag	Read T2C-H

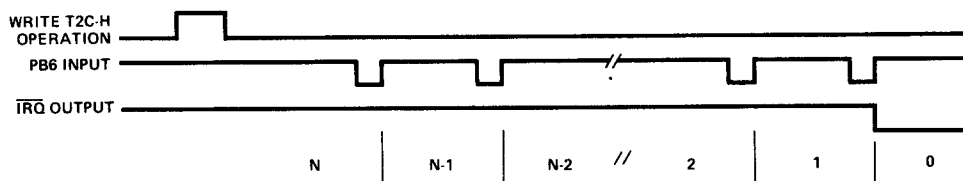
Timer 2 Interval Timer Mode

As an interval timer, T2 operates in the "one-shot" mode similar to Timer 1. In this mode, T2 provides a single interrupt for each "write T2C-H" operation. After timing out, the counter will continue to decrement. However, setting of the interrupt flag will be disabled after initial time-out so that it will not be set by the counter continuing to decrement through zero. The processor must rewrite T2C-H to enable setting of the interrupt flag. The interrupt flag is cleared by reading T2C-L or by writing T2C-H. Timing for this operation is shown in Figure 8.

Timer 2 Pulse Counting Mode

In the pulse counting mode, T2 serves primarily to count a predetermined number of negative-going pulses on PB6. This is accomplished by first loading a number into T2. Writing into T2C-H clears the interrupt flag and allows the counter to decrement each time a pulse is applied to PB6. The interrupt flag will be set when T2 reaches zero. At this time the counter will continue to decrement with each pulse on PB6. However, it is necessary to rewrite T2C-H to allow the interrupt flag to set on subsequent down-counting operations. Timing for this mode is shown in Figure 10. The pulse must be low on the leading edge of $\Phi 2$.

Figure 10. TIMER 2 PULSE COUNTING MODE



G. Shift Register

The Shift Register (SR) performs serial data transfers into and out of the CB2 pin under control of an internal modulo-8 counter. Shift pulses can be applied to the CB1 pin from an external source or, with the proper mode selection, shift pulses generated internally will appear on the CB1 pin for controlling external devices. The control bits which select the various shift register operating modes are located in the Auxiliary Control Register. These bits can be set and cleared by the system processor to select one of the operating modes discussed in the following paragraphs.

Shift Register Input Modes

Bit 4 of the Auxiliary Control Register selects the input or output modes. There are three input modes and four output modes, differing primarily in the source of the pulses which control the shifting operation. With ACR4 = 0 the input modes are selected by ACR3 and ACR2 as follows:

ACR4	ACR3	ACR2	Mode
0	0	0	Shift Register Disabled
0	0	1	Shift in under control of Timer 2
0	1	0	Shift in at System Clock Rate.
0	1	1	Shift in under control of external input pulses

Mode 000 - Shift Register Disabled

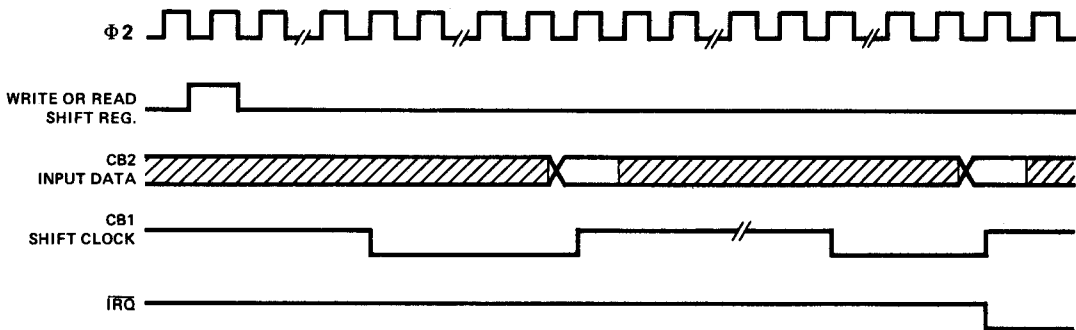
The 000 mode is used to disable the Shift Register. In this mode the microprocessor can write or read the SR, but the shifting operation is disabled and operation of CB1 and CB2 is controlled by the appropriate bits in the Peripheral Control Register (PCR). In this mode the SR Interrupt Flag is disabled (held to a logic 0).

Mode 001 - Shift in Under Control of Timer 2

In this mode the shifting rate is controlled by the low order 8 bits of T2. Shift pulses are generated on the CB1 pin to control shifting in external devices. The time between transitions of this output clock is a function of the system clock period and the contents of the low order T2 latch.

The shifting operation is triggered by writing or reading the shift register. Data is shifted first into the low order bit of SR and is then shifted into the next higher order bit or the shift register on the trailing edge of each clock pulse. As shown in Figure 11, the input data should change before the leading edge of the clock pulse. This data is loaded into the shift register during the system clock cycle following the trailing edge of the clock pulse. After 8 clock pulses, the shift register interrupt flag will be set and IRQ will go low.

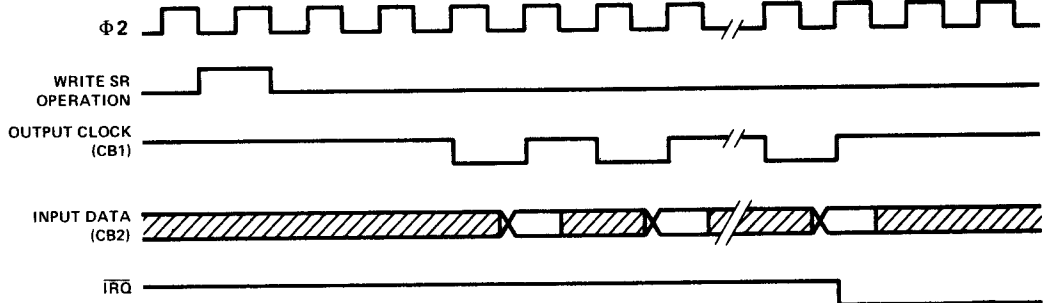
Figure 11. SHIFTING IN UNDER CONTROL OF T2



Mode 010 - Shift in at System Clock Rate

In this mode the shift rate is a direct function of the system clock frequency. CB1 becomes an output which generates shift pulses for controlling external devices. Timer 2 operates as an independent interval timer and has no effect on SR. The shifting operation is triggered by reading or writing the Shift Register. Data is shifted first into bit 0 and is then shifted into the next higher order bit of the shift register on the trailing edge of each clock pulse. After 8 clock pulses, the shift register interrupt flag will be set, and the output clock pulses on CB1 will stop.

Figure 12. TIMING SEQUENCE FOR SHIFTING IN AT SYSTEM CLOCK RATE

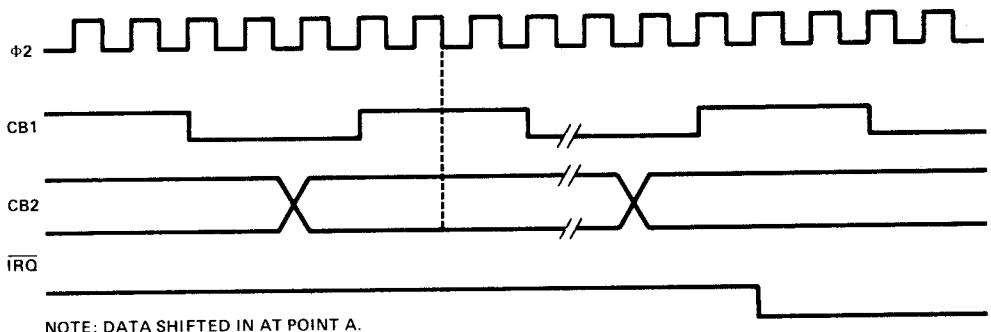


Mode 011 - Shift in Under Control of External Clock

In this mode CB1 becomes an input. This allows an external device to load the shift register at its own pace. The shift register counter will interrupt the processor each time 8 bits have been shifted in. However, the shift register counter does not stop the shifting operation; it acts simply as a pulse counter. Reading or writing the Shift Register resets the Interrupt flag and initializes the SR counter to count another 8 pulses.

Note that the data is shifted during the first system clock cycle following the leading edge of the CB1 shift pulse. For this reason, data must be held stable during the first full cycle following CB1 going high. Timing for this operation is shown in Figure 13.

Figure 13. TIMING SEQUENCE FOR SHIFTING IN UNDER CONTROL OF EXTERNAL CLOCK



NOTE: DATA SHIFTED IN AT POINT A.

Shift Register Output Modes

The four Shift Register Output Modes are selected by setting the Input/Output Control Bit (ACR4) to a logic 1 and then selecting the specific output mode with ACR3 and ACR2. In each of these modes the Shift Register shifts data out of bit 7 to the CB2 pin. At the same time the contents of bit 7 are shifted back into bit 0. As in the input modes, CB1 is used either as an output to provide shifting pulses out or as an input to allow shifting from an external pulse. The four modes are as follows:

ACR4	ACR3	ACR2	Mode
1	0	0	Shift out - Free-running mode. Shift rate controlled by T2.
1	0	1	Shift out - Shift rate controlled by T2. Shift pulses generated on CB1.
1	1	0	Shift out at system clock rate.
1	1	1	Shift out under control of an external pulse.

Mode 100 Free-Running Output

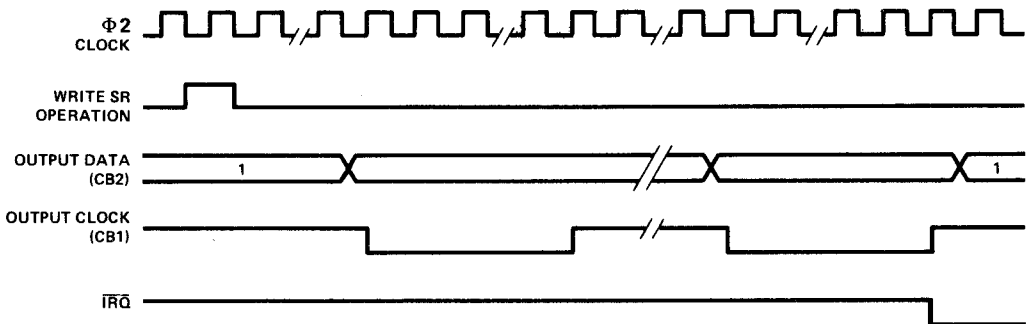
This mode is very similar to mode 101 in which the shifting rate is set by T2. However, in mode 100 the SR Counter does not stop the shifting operation. Since the Shift Register bit 7 (SR7) is recirculated back into bit 0, the 8 bits loaded into the shift register will be clocked onto CB2 repetitively. In this mode the shift register counter is disabled.

Mode 101 - Shift out Under Control of T2

In this mode the shift rate is controlled by T2 (as in the previous mode). However, with each read or write of the shift register the SR Counter is reset and 8 bits are shifted onto CB2. At the same time, 8 shift pulses are generated on CB1 to control shifting in External devices. After the 8 shift pulses, the shifting is disabled, the SR Interrupt Flag is set and CB2 goes to a state determined by the CB2 Control bit (PC5) in the Peripheral Control Register.

The CB2 Control bits (PC7, PC6, and PC5) must be used to set CB2 to a manual output selecting either a high or low polarity. If the shift register is reloaded before the last time-out, the shifting will continue. This sequence is illustrated in Figure 14.

Figure 14. SHIFTING OUT UNDER CONTROL OF T2



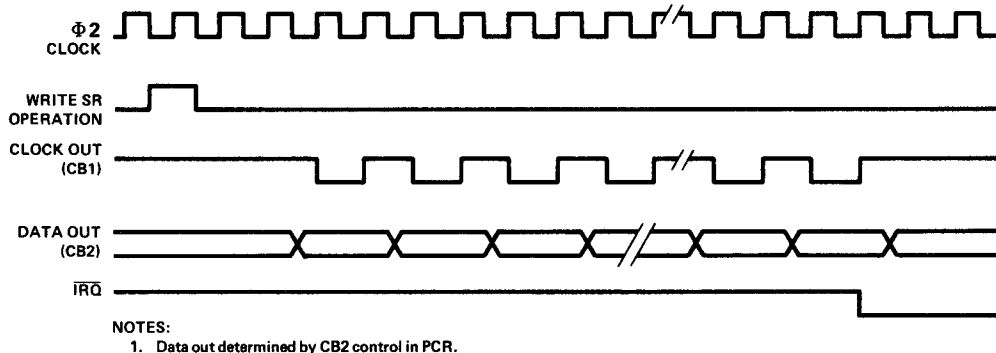
NOTES:

1. DATA OUT DETERMINED BY CB2 CONTROL IN PCR.

Mode 110 - Shifting out at System Clock Rate

In this mode the shift register operation is similar to that shown in Figure 11. However, the shifting rate is a function of the system clock on the chip enable pin (Φ2) and is independent of T2. Timer 2 resumes its normal function as an independent interval timer. Figure 15 illustrates the timing sequence for mode 110.

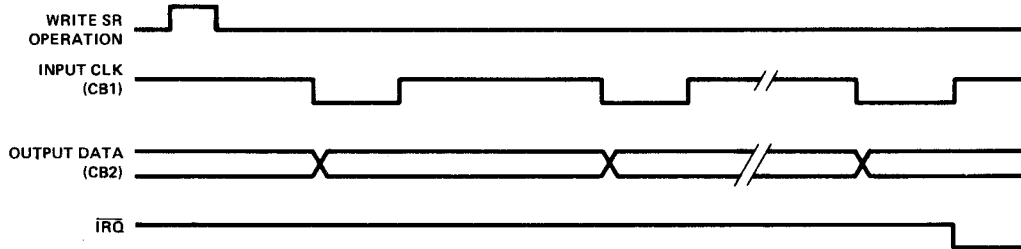
Figure 15. SHIFTING OUT UNDER CONTROL OF SYSTEM CLOCK



Mode 111 - Shift out under Control of an External Pulse

In this mode, shifting is controlled by pulses applied to the CB1 pin by an external device. The SR counter sets the SR Interrupt flag each time it counts 8 pulses but it does not disable the shifting function. Each time the microprocessor writes or reads the shift register, the SR Interrupt flag is reset and the SR counter is initialized to begin counting the next 8 shift pulses on pin CB1. After 8 shift pulses, the interrupt flag is set. The microprocessor can then load the shift register with the next byte of data.

Figure 16. SHIFTING OUT UNDER CONTROL OF EXTERNAL CLOCK



H. Interrupt Control

Controlling interrupts within the SY6522 involves three principal operations. These are flagging the interrupts, enabling interrupts and signalling to the processor that an active interrupt exists within the chip. Interrupt flags are set by interrupting conditions which exist within the chip or on inputs to the chip. These flags normally remain set until the interrupt has been serviced. To determine the source of an interrupt, the microprocessor must examine these flags in order from highest to lowest priority. This is accomplished by reading the flag register into the processor accumulator, shifting this register either right or left and then using conditional branch instructions to detect an active interrupt.

Associated with each interrupt flag is an interrupt enable bit. This bit can be set or cleared by the processor to enable interrupting the processor from the corresponding interrupt flag. If an interrupt flag is set to a logic 1 by an interrupting condition, and the corresponding interrupt enable bit is set to a 1, the Interrupt Request Output ($\overline{\text{IRQ}}$) will go low. $\overline{\text{IRQ}}$ is an "open-collector" output which can be "wire-or'ed" with other devices in the system to interrupt the processor.

In the SY6522, all the interrupt flags are contained in one register. In addition, bit 7 of this register will be read as a logic 1 when an interrupt exists within the chip. This allows very convenient polling of several devices within a system to locate the source of an interrupt.

REGISTER NAME	REGISTER BIT							
	7	6	5	4	3	2	1	0
Interrupt Flag Register (IFR)	IRQ	T1	T2	CB1	CB2	SR	CA1	CA2
Interrupt Enable Register (IER)	Set/clear control	T1	T2	CB1	CB2	SR	CA1	CA2

Interrupt Flag Register

The IFR is a read/bit-clear register. When the proper chip select and register signals are applied to the chip, the contents of this register are placed on the data bus. Bit 7 indicates the status of the \overline{IRQ} output. This bit corresponds to the logic function: $IRQ = IFR6 \times IER6 + IFR5 \times IER5 + IFR4 \times IER4 + IFR3 \times IER3 + IFR2 \times IER2 + IFR1 \times IER1 + IFR0 \times IER0$. Note: X = logic AND, + = Logic OR.

Bits six through zero are latches which are set and cleared as follows:

Bit #	Set by	Cleared By
0	Active transition of the signal on the CA2 pin.	Reading or writing the A port Output Register (ORA) using address 0001.
1	Active transition of the signal on the CA1 pin.	Reading or writing the A Port Output Register (ORA) using address 0001.
2	Completion of eight shifts.	Reading or writing the Shift Register.
3	Active transition of the signal on the CB2 pin.	Reading or writing the B Port Output Register.
4	Active transition of the signal on the CB1 pin.	Reading or writing the B Port Output Register.
5	Time-out of Timer 2.	Reading T2 low order counter. Writing T2 high order counter.
6	Time-out of Timer 1.	Reading T1 low order counter. Writing T1 high order counter.

The IFR bit 7 is not a flag. Therefore, this bit is not directly cleared by writing a logic 1 into it. It can only be cleared by clearing all the flags in the register or by disabling all the active interrupts as discussed in the next section.

Interrupt Enable Register (IER)

For each interrupt flag in IFR, there is a corresponding bit in the Interrupt Enable Register. The system processor can set or clear selected bits in this register to facilitate controlling individual interrupts without affecting others. This is accomplished by writing to address 1110 (IER address). If bit 7 of the data placed on the system data bus during this write operation is a 0, each 1 in bits 6 through 0 clears the corresponding bit in the Interrupt Enable Register. For each zero in bits 6 through 0, the corresponding bit is unaffected.

Setting selected bits in the Interrupt Enable Register is accomplished by writing to the same address with bit 7 in the data word set to a logic 1. In this case, each 1 in bits 6 through 0 will set the corresponding bit. For each zero, the corresponding bit will be unaffected. This individual control of the setting and clearing operations allows very convenient control of the interrupts during system operation.

In addition to setting and clearing IER bits, the processor can read the contents of this register by placing the proper address on the register select and chip select inputs with the R/W line high. Bit 7 will be read as a logic 0.

I. Function Control

Control of the various functions and operating modes within the SY6522 is accomplished primarily through two registers, the Peripheral Control Register (PCR) and the Auxiliary Control Register (ACR). The PCR is used primarily to select the operating mode for the four peripheral control pins. The Auxiliary Control Register selects the operating mode for the interval timers (T1, T2), and the serial port (SR).

Peripheral Control Register

The Peripheral Control Register is organized as follows:

Bit #	7	6	5	4	3	2	1	0
Function	CB2 Control		CB1 Control		CA2 Control		CA1 Control	

Each of these functions is discussed in detail below.

1. CA1 Control

Bit 0 of the Peripheral Control Register selects the active transition of the input signal applied to the CA1 interrupt input pin. If this bit is a logic 0, the CA1 interrupt flag will be set by a negative transition (high to low) of the signal on the CA1 pin. If PCR0 is a logic 1, the CA1 interrupt flag will be set by a positive transition (low to high) of this signal.

2. CA2 Control

The CA2 pin can be programmed to act as an interrupt input or as a peripheral control output. As an input, CA2 operates in two modes, differing primarily in the methods available for resetting the interrupt flag. Each of these two input modes can operate with either a positive or a negative active transition as described above for CA1.

In the output mode, the CA2 pin combines the operations performed on the CA2 and CB2 pins of the SY6522. This added flexibility allows processor to perform a normal "write" handshaking in a system which uses CB1 and CB2 for the serial operations described above. The CA2 operating modes are selected as follows:

PCR3	PCR2	PCR1	Mode
0	0	0	Input mode—Set CA2 interrupt flag (IFR0) on a negative transition of the input signal. Clear IFR0 on a read or write of the Peripheral A Output Register.
0	0	1	Independent interrupt input mode—Set IFR0 on a negative transition of the CA2 input signal. Reading or writing ORA does not clear the CA2 Interrupt flag.
0	1	0	Input mode—Set CA2 interrupt flag on a positive transition of the CA2 input signal. Clear IFR0 with a read or write of the Peripheral A Output Register.
0	1	1	Independent Interrupt input mode—Set IFR0 on a positive transition of the CA2 input signal. Reading or writing ORA does not clear the CA2 interrupt flag.
1	0	0	Handshake output mode—Set CA2 output low on a read or write of the Peripheral A Output Register. Reset CA2 high with an active transition on CA1.
1	0	1	Pulse Output mode—CA2 goes low for one cycle following a read or write of the Peripheral A Output Register.
1	1	0	Manual output mode—The CA2 output is held low in this mode.
1	1	1	Manual output mode—The CA2 output is held high in this mode.

In the independent input mode, writing or reading the ORA register has no effect on the CA2 interrupt flag. This flag must be cleared by writing a logic 1 into the appropriate IFR bit. This mode allows the processor to handle interrupts which are independent of any operations taking place on the peripheral I/O ports.

The handshake and pulse output modes have been described previously. Note that the timing of the output signal varies slightly depending on whether the operation is initiated by a read or a write.

3. CB1 Control

Control of the active transition of the CB1 input signal operates in exactly the same manner as that described above for CA1. If PCR4 is a logic 0 the CB1 interrupt flag (IFR4) will be set by a negative transition of the CB1 input signal and cleared by a read or write of the ORB register. If PCR4 is a logic 1, IFR4 will be set by a positive transition of CB1.

If the Shift Register function has been enabled, CB1 will act as an input or output for the shift register clock signals. In this mode the CB1 interrupt flag will still respond to the selected transition of the signal on the CB1 pin.

4. CB2 Control

With the serial port disabled, operation of the CB2 pin is a function of the three high order bits of the PCR. The CB2 modes are very similar to those described previously for CA2. These modes are selected as follows:

PCR7	PCR6	PCR5	Mode
0	0	0	Interrupt input mode—Set CB2 interrupt flag (IFR3) on a negative transition of the CB2 input signal. Clear IFR3 on a read or write of the Peripheral B Output Register.
0	0	1	Independent interrupt input mode—Set IFR3 on a negative transition of the CB2 input signal. Reading or writing ORB does not clear the interrupt flag.
0	1	0	Input mode—Set CB2 interrupt flag on a positive transition of the CB2 input signal. Clear the CB2 interrupt flag on a read or write of ORB.
0	1	1	Independent input mode—Set IFR3 on a positive transition of the CB2 input signal. Reading or writing ORB does not clear the CB2 interrupt flag.
1	0	0	Handshake output mode—Set CB2 low on a write ORB operation. Reset CB2 high with an active transition of the CB1 input signal.
1	0	1	Pulse output mode—Set CB2 low for one cycle following a write ORB operation.
1	1	0	Manual output mode—The CB2 output is held low in this mode.
1	1	1	Manual output mode—The CB2 output is held high in this mode.

AUXILIARY CONTROL REGISTER

Many of the functions in the Auxiliary Control Register have been discussed previously. However, a summary of this register is presented here as a convenient reference for the SY6522 user. The Auxiliary Control Register is organized as follows:

Bit #	7	6	5	4	3	2	1	0
Function	T1 Control		T2 Control	Shift Register Control			PB Latch Enable	PA Latch Enable

1. PA Latch Enable

The SY6522 provides input latching on both the PA and PB ports. In this mode, the data present on the peripheral A input pins will be latched within the chip when the CA1 interrupt flag is set. Reading the PA port will result in these latches being transferred into the processor. As long as the CA1 interrupt flag is set, the data on the peripheral pins can change without affecting the data in the latches. This input latching can be used with any of the CA2 input or output modes.

It is important to note that on the PA port, the processor always reads the data on the peripheral pins (as reflected in the latches). For output pins, the processor still reads the latches. This may or may not reflect the data currently in the ORA. Proper system operation requires careful planning on the part of the system designer if input latching is combined with output pins on the peripheral ports.

Input latching is enabled by setting bit 0 in the Auxiliary Control Register to a logic 1. As long as this bit is a 0, the latches will directly reflect the data on the pins.

2. PB Latch Enable

Input latching on the PB port is controlled in the same manner as that described for the PA port. However, with the peripheral B port the input latch will store either the voltage on the pin or the contents of the Output Register (ORB) depending on whether the pin is programmed to act as an input or an output. As with the PA port, the processor always reads the input latches.

3 Shift Register Control

The Shift Register operating mode is selected as follows:

ACR4	ACR3	ACR2	Mode
0	0	0	Shift Register Disabled.
0	0	1	Shift in under control of Timer 2.
0	1	0	Shift in under control of system clock.
0	1	1	Shift in under control of external clock pulses.
1	0	0	Free-running output at rate determined by Timer 2.
1	0	1	Shift out under control of Timer 2.
1	1	0	Shift out under control of the system clock.
1	1	1	Shift out under control of external clock pulses.

4. T2 Control

Timer 2 operates in two modes. If ACR5 = 0, T2 acts as an interval timer in the one-shot mode. If ACR5 = 1, Timer 2 acts to count a predetermined number of pulses on pin PB6.

5. T1 Control

Timer 1 operates in the one-shot or free-running mode with the PB7 output control enabled or disabled. These modes are selected as follows:

ACR7	ACR6	Mode
0	0	One-shot mode—Output to PB7 disabled
0	1	Free-running mode—Output to PB7 disabled.
1	0	One-shot mode—Output to PB7 enabled.
1	1	Free-running mode—Output to PB7 enabled.

APPLICATION OF THE SY6522

The SY6522 represents a significant advance in general-purpose microprocessor I/O. Unfortunately, its many powerful features, coupled with a set of very flexible operating modes, cause this device to appear to be very complex at first glance. However, a detailed analysis will show that the VIA is organized to allow convenient control of these powerful features. This section seeks to assist the system designer in his understanding of the SY6522 by illustrating how the device can be used in microprocessor-based systems.

A. Control of the SY6522 Interrupts

Organization of the SY6522 interrupt flags into a single register greatly facilitates the servicing of interrupts from this device. Since there is only one \overline{IRQ} output for the seven possible sources of interrupt within the chip, the processor must examine these flags to determine the cause of an interrupt. This is best accomplished by first transferring the contents of the flag register into the accumulator. At this time it may be necessary to mask off these flags which have been disabled in the Interrupt Enable Register. This is particularly important for the edge detecting inputs where the flags may be set whether or not the interrupting function has been enabled. Masking off these flags can be accomplished by performing an AND operation between the IER and the accumulator or by performing an "AND IMMEDIATE". The second byte of this AND # instruction should specify those flags which correspond to interrupt functions which are to be serviced.

If the N flag is set after these operations, an active interrupt exists within the chips. This interrupt can be detected with a series of shift and branch instructions.

Clearing interrupt flags is accomplished very conveniently by writing a logic 1 directly into the appropriate bit of the Interrupt Flag Register. This can be combined with an interrupt enable or disable operation as follows:

```
LDA #@10010000 ; initialize accumulator
STA IFR         ; clear interrupt flag
STA IER         ; set interrupt enable flag
```

or:

```
LDA #@00001000 ; initialize accumulator
STA IFR         ; clear interrupt flag
STA IER         ; disable interrupt
```

Another very useful technique for clearing interrupt flags is to simply transfer the contents of the flag register back into this register as follows:

```
LDA IFR         ; transfer IFR to accumulator
STA IFR         ; clear flags corresponding to active interrupts
```

After completion of this operation the accumulator will still contain the interrupt flag information. Most important, writing into the flag register clears only those flags which are already set. This eliminates the possibility of inadvertently clearing a flag while it is being set.

B. Use of Timer 1

Timer 1 represents one of the most powerful features of the SY6522. The ability to generate very evenly spaced interrupts and the ability to control the voltage on PB7 makes this timer particularly valuable in various timing, data detection and waveform generation applications.

Time-of-Day Clock Applications

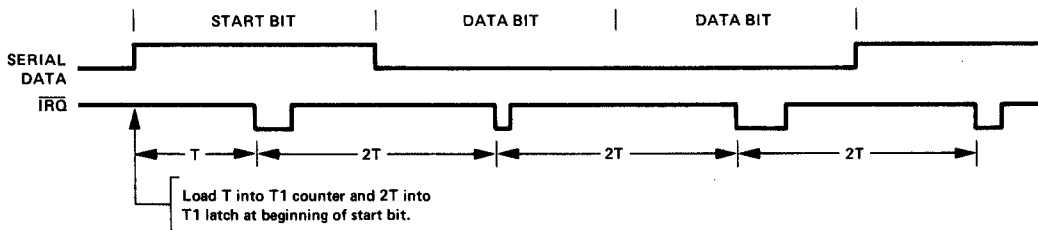
An important feature of many systems is the time-of-day clock. In microprocessor-based systems the time of day is usually maintained in memory and is updated in an interrupt service routine. A regular processor interrupt will then assure that this time of day will always be available when it is needed in the main program.

Generating very regular interrupts using previously available timers presented difficulties because of the need to re-load the timer for each interrupt. Unfortunately, the time between the interrupts will fluctuate due to variations in the interrupt response time. This problem is eliminated in the Timer 1 "free-running" mode. The accuracy of these "free-running" interrupts is only a function of the system clock and is not affected by interrupt response time.

Asynchronous Data Detection

The extraction of clock and data information from serial asynchronous ASCII signals or from any single channel data recording device relies on the ability to establish accurate strobes. As discussed previously, the period of these strobes can be seriously affected by the interrupt response time using conventional timers. However, T1 again allows generation of very accurate interrupts. The processor responds to these interrupts by strobing the input data. The ability to reload the T1 latches without affecting the count-down in progress is very useful in this application. This allows the strobe time to be doubled or halved during data detection. This sequence of operation is as follows:

Figure 17. DETECTING ASYNCHRONOUS DATA USING TIMER 1



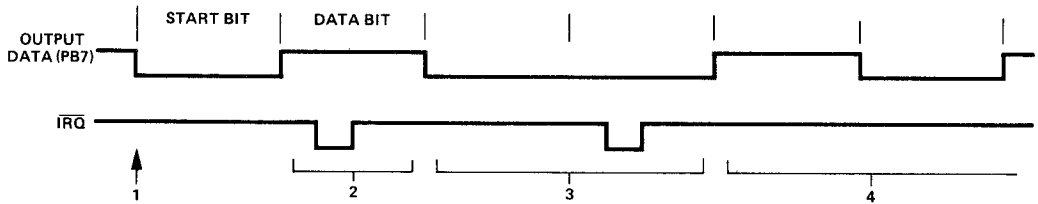
Waveform Generation with Timer 1

In addition to generating processor interrupts, Timer 1 can be used to control the output voltage on peripheral pin PB7 (output mode). In this mode a single negative pulse can be generated on PB7 (one-shot mode) or, in the free-running mode, a continuous waveform can be generated. In this latter mode the voltage on PB7 will be inverted each time T1 times out.

A single solenoid can be triggered very conveniently in the one-shot mode if the PB7 signal is used to control the solenoid directly. With this configuration the solenoid can be triggered by simply writing to T1C-H.

Generating very complex waveforms can be a simple problem if T1 is used to control PB7 in the free-running mode. During any count-down process the latches can be loaded to determine the length of the next count-down period. Figure 18 shows this timing sequence for generating ASCII serial data.

Figure 18. ASCII SERIAL DATA GENERATION USING T1

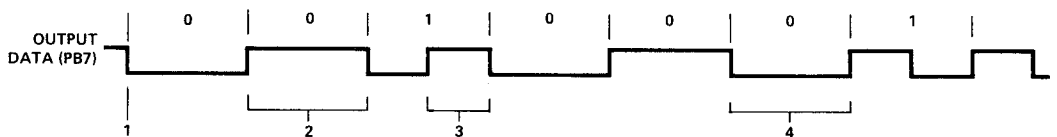


1. Load T into T1 counter and latch. Load T into T2 to trigger T1 latch reload.
2. Load 2T into T1 latch during this bit time. Load 2T into T2, as before.
3. Load T into T1 latch anytime during this period. Load NT into T2. N = number of 1's or 0's which follow.
4. A series of 1's and 0's will be generated until the T1 latch is again changed. Note that the use of T2 to control reloading the T1 latch eliminates the need to interrupt on each transition.

An application where this mode of operation is also very powerful is in the generation of bi-phase encoded data for tape or disk storage. This encoding technique and the sequence of operations which would take place are illustrated in Figure 19.

These applications represent only a tiny portion of the potential T1 applications. Some other possibilities are pulse width modulation waveforms, sound generation for video games, A/D techniques requiring very accurate pulse widths, and waveform synthesis in electronic games.

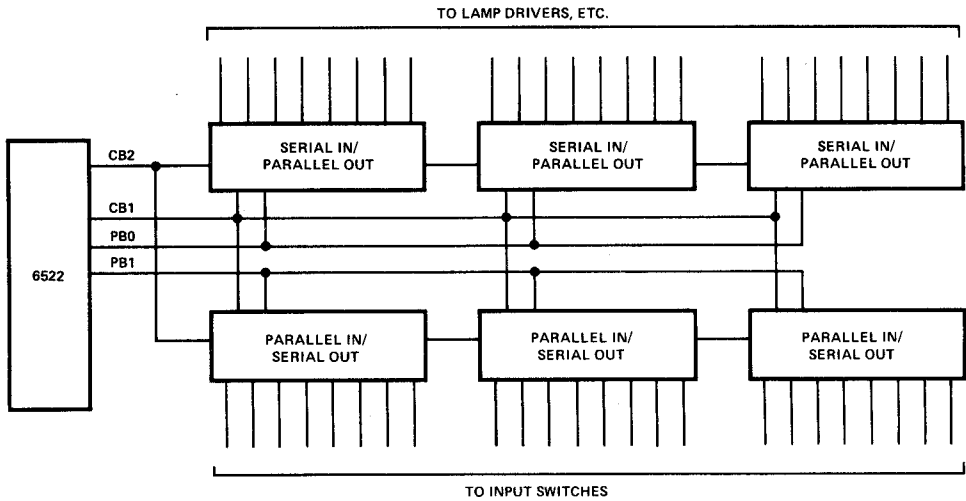
Figure 19. GENERATING BI-PHASE ENCODED DATA



1. Load T1 counter and latch.
2. Shift T1 latch one bit to the right during this period.
3. Shift T1 latch left during this period.
4. Shift T1 latch right during this period.

Note that T1 must be accessed only when the output data changes. A string of 1's or 0's can be generated without processor intervention.

Figure 22. EXPANDING SYSTEM I/O USING SHIFT REGISTER

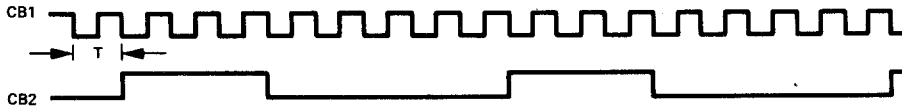


Clock Generation Using the Shift Register

In all output modes the data shifted out of bit 7 will also be shifted into bit 0. For this reason the Shift Register need not be re-loaded if the same data is to be shifted out each time. A Shift Register read operation can be used to trigger the shifting operation.

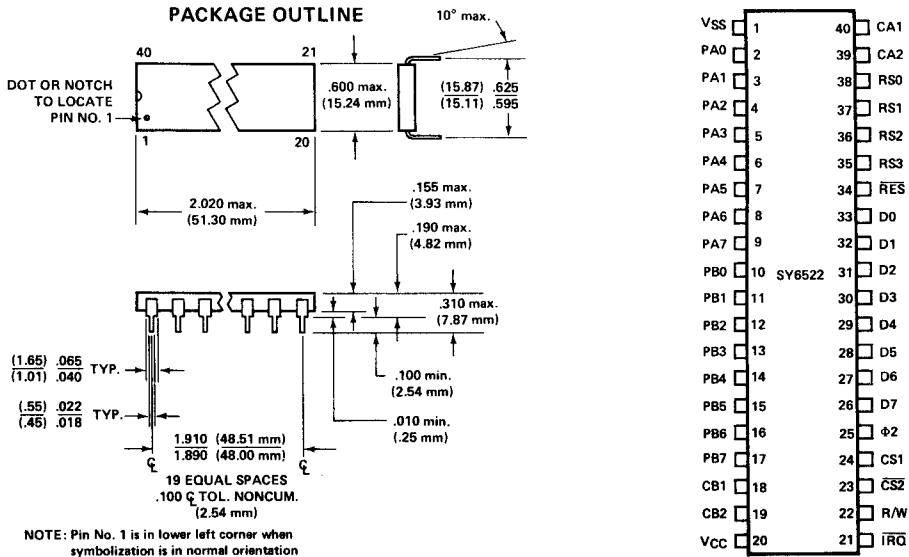
This capability is very useful for generating peripheral clocks in the continuous output mode. This mode allows an 8-bit pattern to be shifted out continuously. This is illustrated in Figure 23. Note that in this mode the shifting operation is controlled by Timer 2. A single bit time can therefore be up to 256 clock cycles in length.

Figure 23. CLOCK GENERATION USING SR FREE-RUNNING MODE



NOTES:

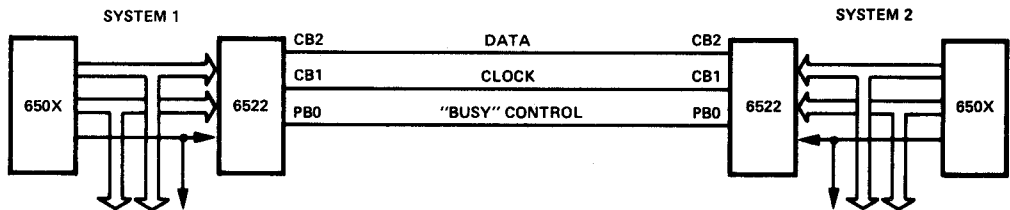
1. Shift Register loaded with 1110 0000₂ initially.
2. T determined by Timer 2.



Using the SY6522 Shift Register

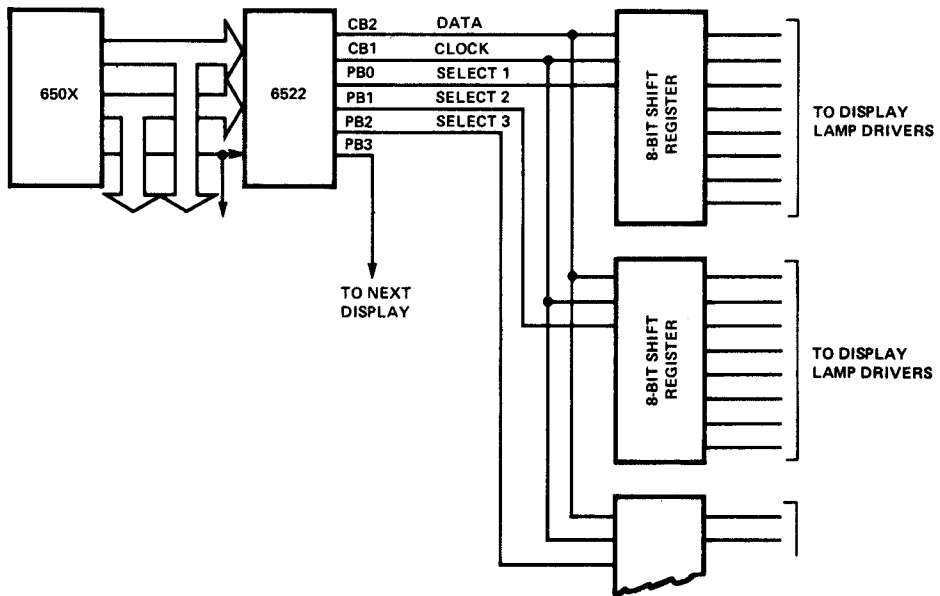
The Shift Register in the SY6522 is designed primarily as a synchronous serial communications port for distributed systems. These systems can be either single-processor with distributed peripheral controllers or distributed processor systems. The most important characteristic of the Shift Register in these applications is its ability to transfer information at relatively slow data rates to allow the use of R-C noise suppression techniques. This transfer can be accomplished while the processor is servicing other aspects of the system. An example of a simple 2-processor distributed system is shown in Figure 20. Use of the SY6522 Shift Register allows effective communication between the two systems without the use of relatively complex asynchronous communications techniques.

Figure 20. USING SHIFT REGISTER FOR INTER-SYSTEM COMMUNICATION



In a system with distributed peripherals, the Shift Register can be used to transfer data to the peripheral interface devices. This is illustrated in Figure 21 for a system with a number of distributed status displays. These displays are serviced by stand-alone controllers which actuate the lamps in the status displays with simple drivers. The data and clock lines are wired in parallel to each unit. In addition, a single SY6522 peripheral port allows selection of the display to be loaded. These select lines can be eliminated if all displays are to contain the same information. With the system shown, the status display can be updated at any time by simply selecting the desired display and then writing to the Shift Register.

Figure 21. USING THE SHIFT REGISTER FOR SERVICING REMOTE STATUS DISPLAYS



Remote input devices can be serviced in much the same manner by shifting data into the Shift Register under control of a peripheral port output as shown in Figure 21. Each set of input switches can be polled by first selecting the set to be polled and then triggering the shifting operation with a Shift Register read operation. A shift register interrupt can be used to cause the processor to read the resulting input information after shifting is complete.

The techniques described above can be utilized to expand I/O capability in a microprocessor based system. In a system with many status lamps or many input switches, simple TTL shift registers will provide the necessary I/O in a very cost effective manner. This is illustrated in Figure 22.

APPENDIX K
SY6532 DATA SHEET

Synertek®



3050 Coronado Drive, Santa Clara, CA. 95051
(408) 984-8900 TWX 910-338-0135

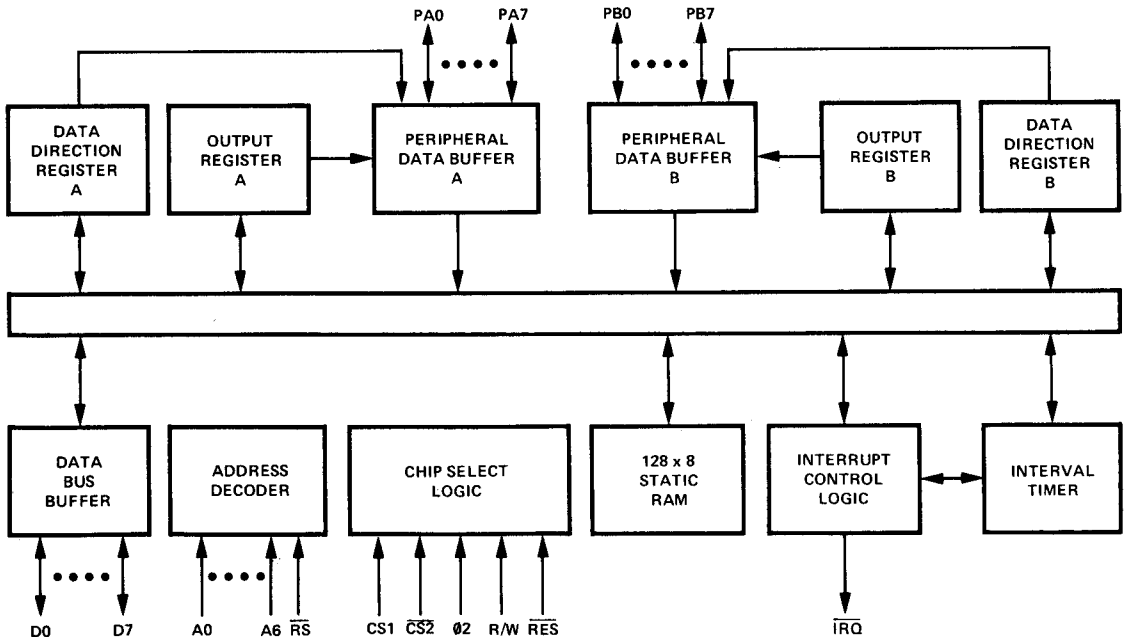
SY6532

SY6532 (RAM, I/O, TIMER ARRAY)

The SY6532 is designed to operate in conjunction with the SY6500 Microprocessor Family. It is comprised of a 128 x 8 static RAM, two software controlled 8 bit bi-directional data ports allowing direct interfacing between the microprocessor unit and peripheral devices, a software programmable interval timer with interrupt capable of timing in various intervals from 1 to 262,144 clock periods, and a programmable edge-detect interrupt circuit.

- 8 bit bi-directional Data Bus for direct communication with the microprocessor
- Programmable edge-sensitive interrupt
- 128 x 8 static RAM
- Two 8 bit bi-directional data ports for interface to peripherals
- Two programmable I/O Peripheral Data Direction Registers
- Programmable Interval Timer
- Programmable Interval Timer Interrupt
- TTL & CMOS compatible peripheral lines
- Peripheral pins with Direct Transistor Drive Capability
- High Impedance Three-State Data Pins

Figure 1. 6532 BLOCK DIAGRAM



MAXIMUM RATINGS

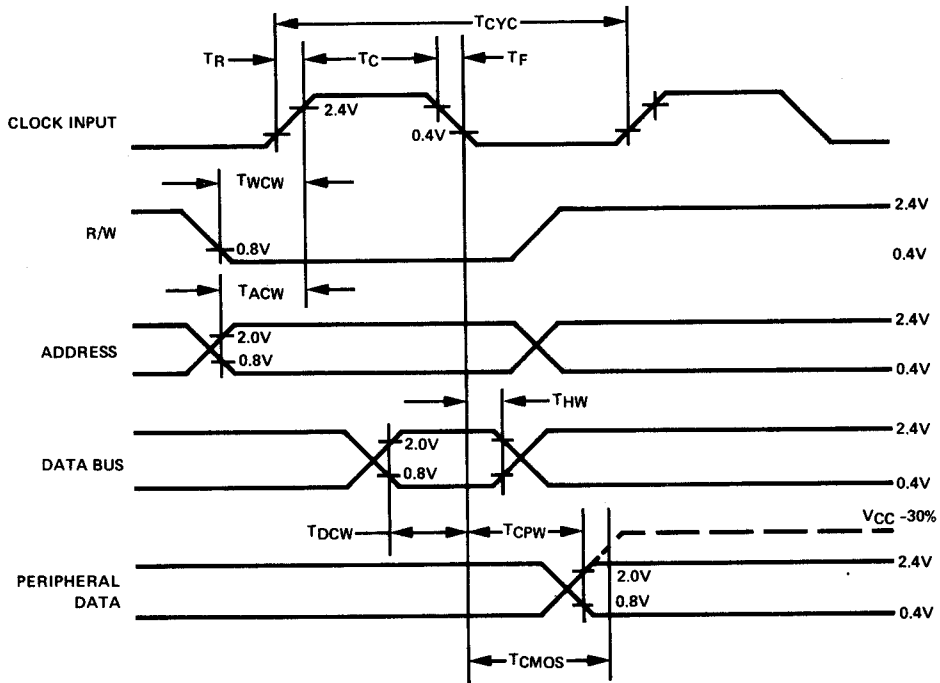
RATING	SYMBOL	VOLTAGE	UNIT
Supply Voltage	V _{CC}	-.3 to +7.0	V
Input/Output Voltage	V _{IN}	-.3 to +7.0	V
Operating Temperature Range	T _{OP}	0 to 70	°C
Storage Temperature Range	T _{STG}	-55 to +150	°C

ELECTRICAL CHARACTERISTICS (V_{CC} = 5.0V ±5%, V_{SS} = 0V, T_A = 25° C)

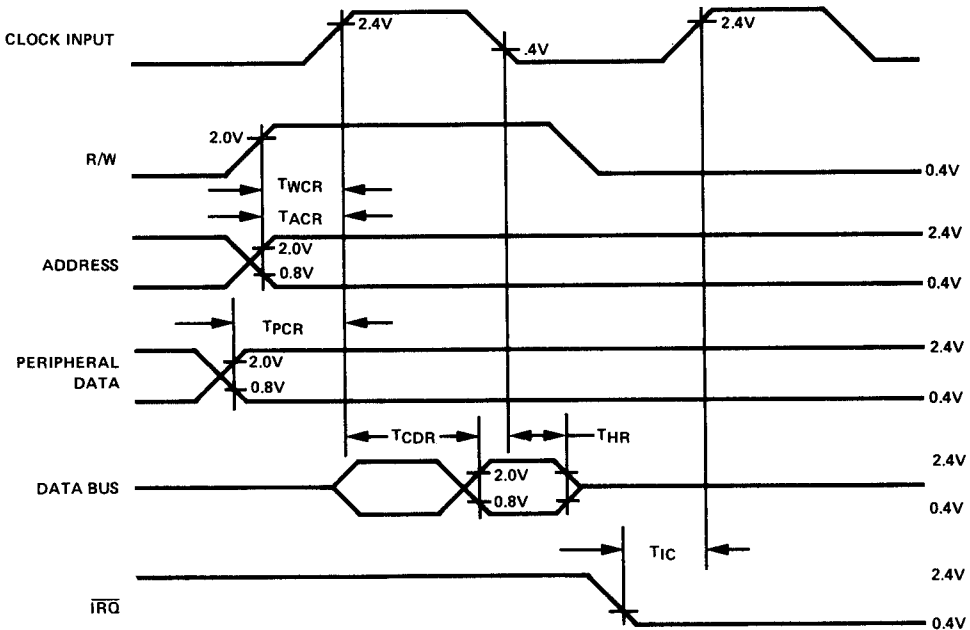
CHARACTERISTIC	SYMBOL	MIN.	TYP.	MAX.	UNIT
Input High Voltage	V _{IH}	V _{SS} + 2.4		V _{CC}	V
Input Low Voltage	V _{IL}	V _{SS} - .3		V _{SS} + .4	V
Input Leakage Current; V _{IN} = V _{SS} + .5V A0-A6, \overline{RS} , R/W, \overline{RES} , $\emptyset 2$, CS1, $\overline{CS2}$	I _{IN}		1.0	2.5	μA
Input Leakage Current for High Impedance State (Three State); V _{IN} = .4V to 2.4V; D0-D7	I _{TSI}		±1.0	±10.0	μA
Input High Current; V _{IN} = 2.4V PA0-PA7, PB0-PB7	I _{IH}	-100.	-300.		μA
Input Low Current; V _{IN} = .4V PA0-PA7, PB0-PB7	I _{IL}		-1.0	-1.6	MA
Output High Voltage V _{CC} = MIN, I _{LOAD} ≤ -100μA (PA0-PA7, PB0-PB7, D0-D7) I _{LOAD} ≤ 3 MA (PB0-PB7)	V _{OH}	V _{SS} + 2.4 V _{SS} + 1.5			V
Output Low Voltage V _{CC} = MIN, I _{LOAD} ≤ 1.6MA	V _{OL}			V _{SS} + .4	V
Output High Current (Sourcing); V _{OH} ≥ 2.4V (PA0-PA7, PB0-PB7, D0-D7) ≥ 1.5V Available for direct transistor drive (PB0-PB7)	I _{OH}	-100 3.0	-1000 5.0		μA MA
Output Low Current (Sinking); V _{OL} ≤ .4V	I _{OL}	1.6			MA
Clock Input Capacitance	C _{Clk}			30	pf
Input Capacitance	C _{IN}			10	pf
Output Capacitance	C _{OUT}			10	pf
Power Dissipation	I _{CC}		100	125	mA

All inputs contain protection circuitry to prevent damage due to high static charges. Care should be exercised to prevent unnecessary application of voltage outside the specification range.

WRITE TIMING CHARACTERISTICS



READ TIMING CHARACTERISTICS



WRITE TIMING CHARACTERISTICS

CHARACTERISTIC	SYMBOL	MIN.	TYP.	MAX.	UNIT
Clock Period	TCYC	1			μS
Rise & Fall Times	TR, TF			25	NS
Clock Pulse Width	TC	470			NS
R/W valid before positive transition of clock	TWCW	180			NS
Address valid before positive transition of clock	TACW	180			NS
Data Bus valid before negative transition of clock	TDCW	300			NS
Data Bus Hold Time	THW	10			NS
Peripheral data valid after negative transition of clock	TCPW			1	μS
Peripheral data valid after negative transition of clock driving CMOS (Level = V _{CC} = 30%)	TCMOS			2	μS

READ TIMING CHARACTERISTICS

CHARACTERISTIC	SYMBOL	MIN.	TYP.	MAX.	UNIT
R/W valid after positive transition of clock	TWCR	180			NS
Address valid before positive transition of clock	TACR	180			NS
Peripheral data valid before positive transition of clock	TPCR	300			NS
Data Bus valid after positive transition of clock	TCDR			395	NS
Data Bus Hold Time	THR	10			NS
$\overline{\text{IRQ}}$ (Interval Timer Interrupt) valid before positive transition of clock	TIC	200			NS

Loading = 30 pf + 1 TTL load for PA0-PA7, PB0-PB7
 = 130 pf + 1 TTL load for D0-D7

INTERFACE SIGNAL DESCRIPTION

Reset ($\overline{\text{RES}}$)

During system initialization a Logic "0" on the $\overline{\text{RES}}$ input will cause a zeroing of all four I/O registers. This in turn will cause all I/O buses to act as inputs thus protecting external components from possible damage and erroneous data while the system is being configured under software control. The Data Bus Buffers are put into an OFF-STATE during Reset. Interrupt capability is disabled with the $\overline{\text{RES}}$ signal. The $\overline{\text{RES}}$ signal must be held low for at least one clock period when reset is required.

Input Clock

The input clock is a system Phase Two clock which can be either a low level clock ($V_{IL} < 0.4$, $V_{IH} > 2.4$) or high level clock ($V_{IL} < 0.2$, $V_{IH} = V_{CC} \begin{smallmatrix} +.3 \\ -.2 \end{smallmatrix}$).

Read/Write (R/W)

The R/W signal is supplied by the microprocessor array and is used to control the transfer of data to and from the microprocessor array and the SY6532. A high on the R/W pin allows the processor to read (with proper addressing) the data supplied by the SY6532. A low on the R/W pin allows a write (with proper addressing) to the SY6532.

Interrupt Request ($\overline{\text{IRQ}}$)

The $\overline{\text{IRQ}}$ pin is an interrupt pin from the interrupt control logic. It will be normally high with a low indicating an interrupt from the SY6532. $\overline{\text{IRQ}}$ is an open-drain output, permitting several units to be wire-or'ed to the common $\overline{\text{IRQ}}$ microprocessor input pin. The $\overline{\text{IRQ}}$ pin may be activated by a transition on PA7 or timeout of the interval timer.

Data Bus (D0-D7)

The SY6532 has eight bi-directional data pins (D0-D7). These pins connect to the system's data lines and allow transfer of data to and from the microprocessor array. The output buffers remain in the off state except when a Read operation occurs.

Peripheral Data Ports

The SY6532 has 16 pins available for peripheral I/O operations. Each pin is individually programmable to act as either an input or an output. The 16 pins are divided into two 8-bit ports, PA0-PA7 and PB0-PB7. PA7 may also function as an interrupt input pin. This feature is described in another section. The pins are set up as an input by writing a "0" into the corresponding bit of the data direction register. A "1" into the data direction register will cause its corresponding bit to be an output. When in the input mode, the peripheral output buffers are in the "1" state and a pull-up device acts as less than one TTL load to the peripheral data lines. On a Read operation, the microprocessor unit reads the peripheral pin. When the peripheral device gets information from the SY6532 it receives data stored in the data register. The microprocessor will read correct information if the peripheral lines are greater than 2.4 volts for a "1" and less than 0.4 volts for a "0" as the peripheral pins are all TTL compatible. Pins PB0-PB7 are also capable of sourcing 3 ma at 1.5 v thus making them capable of direct transistor drive.

Address Lines (A0-A6)

There are 7 address pins. In addition to these, there is the \overline{RS} pin. The above pins, A0-A6 and \overline{RS} , are always used as addressing pins. There are 2 additional pins which are used as CHIP SELECTS. They are pins CS1 and CS2.

INTERNAL ORGANIZATION

A block diagram of the internal architecture is shown in Figure 1. The SY6532 is divided into four basic sections: RAM, I/O, Timer, and Interrupt Control. The RAM interfaces directly with the microprocessor through the system data bus and address lines. The I/O section consists of two 8-bit halves. Each half contains a Data Direction Register (DDR) and an I/O register.

RAM 128 Bytes (1024 Bits)

A 128 x 8 static RAM is contained on the SY6532. It is addressed by A0-A6 (Byte Select), \overline{RS} , CS1, and $\overline{CS2}$.

Internal Peripheral Registers

There are four 8-bit internal registers: two data direction registers and two output registers. The two data direction registers (A side and B side) control the direction of data into and out of the peripheral I/O pins. A logic zero in a bit of the data direction register (DDRA and DDRB) causes the corresponding pin of the I/O port to act as an input. A logic one causes the corresponding pin to act as an output. The voltage on any pin programmed as an output is determined by the corresponding bit in the output register (ORA and ORB).

Data is read directly from the PA pins during a peripheral read operation. Thus, for a PA pin programmed as an output, the data transferred into the processor will be the same as the data in the ORA only if the voltage on the pin is allowed to be ≥ 2.4 volts for a logic one and ≤ 0.4 volts for a zero. If the loading on the pin does not allow this, then the data resulting from the read operation may not match the contents of ORA.

The output buffers for the PB pins are somewhat different from the PA buffers. The PB buffers are push-pull devices which are capable of sourcing 3ma at 1.5 volts. This allows for these pins to directly drive transistor circuits. To assure that the processor will read the proper data when performing a peripheral read operation, logic is provided in the peripheral B port to permit the processor to read the contents of ORB, instead of the PB pins as is the case for the PA port.

Interval Timer

The timer section of the SY6532 contains three basic parts: preliminary divide down register, programmable 8-bit register and interrupt logic. These are illustrated in Figure 2.

The interval timer can be programmed to count up to 256 time intervals. Each time interval can be either 1T, 8T, 64T or 1024T increments, where T is the system clock period. When a full count is reached, and interrupt flag is set to a logic "1." After the interrupt flag is set the internal clock begins counting down to a maximum of -255T. Thus, after the interrupt flag is set, a Read of the timer will tell how long since the flag was set up to a maximum of 255T.

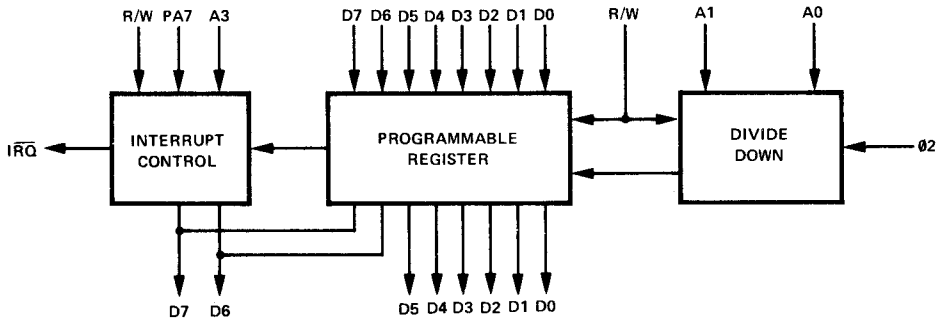
The 8-bit system Data Bus is used to transfer data to and from the Interval Timer. If a count of 52 time intervals were to be counted, the pattern 0 0 1 1 0 1 0 0 would be put on the Data Bus and written into the Interval Time register.

At the same time that data is being written to the Interval Timer, the counting intervals of 1, 8, 64, 1024T are decoded from address lines A0 and A1. During a Read or Write operation address line A3 controls the interrupt capability of \overline{IRQ} , i.e., A3 = 1 enables \overline{IRQ} , A3 = 0 disables \overline{IRQ} . In either case, when timeout occurs, bit 7 of the Interrupt Flag Register is set. This flag is cleared when the Timer register is either read from or written to by the processor. If \overline{IRQ} is enabled by A3 and an interrupt occurs \overline{IRQ} will go low. When the timer is read prior to the interrupt flag being set, the number of time intervals remaining will be read, i.e., 51, 50, 49, etc.

When the timer has counted down to 00000000 on the next count time an interrupt will occur and the counter will read 11111111. After interrupt, the timer register decrements at a divide by "1" rate of the system clock. If after interrupt, the timer is read and a value of 11100100 is read, the time since interrupt is 28T. The value read is in two's complement.

Value read	= 11100100
Complement	= 00011011
Add 1	= 00011100 = 28.

Figure 2. BASIC ELEMENTS OF INTERVAL TIMER

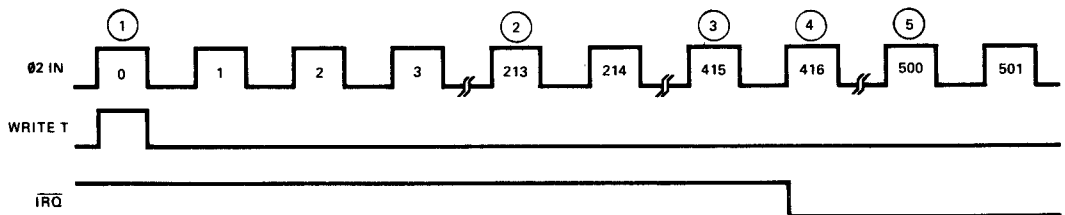


Thus, to arrive at the total elapsed time, merely do a two's complement add to the original time written into the timer. Again, assume time written as 00110100 (=52). With a divide by 8, total time to interrupt is $(52 \times 8) + 1 = 417T$. Total elapsed time would be $416T + 28T = 444T$, assuming the value read after interrupt was 11100100.

After interrupt, whenever the timer is written or read the interrupt is reset. However, the reading of the timer at the same time the interrupt occurs will not reset the interrupt flag.

Figure 3 illustrates an example of interrupt.

Figure 3. TIMER INTERRUPT TIMING



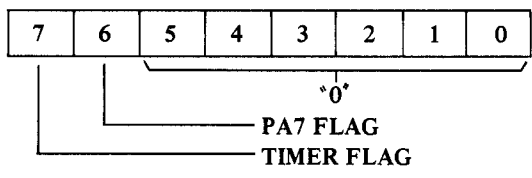
1. Data written into interval timers is $00110100 = 52_{10}$
2. Data in Interval timer is $00011001 = 25_{10}$
 $52 - \frac{213}{8} - 1 = 52 - 26 - 1 = 25$
3. Data in Interval timer is $00000000 = 0_{10}$
 $52 - \frac{415}{8} - 1 = 52 - 51 - 1 = 0$
4. Interrupt has occurred at $\phi 2$ pulse #416
 Data in Interval timer = 11111111
5. Data in Interval timer is 10101100
 two's complement is $01010100 = 84_{10}$
 $84 + (52 \times 8) = 500_{10}$

When reading the timer after an interrupt, A3 should be low so as to disable the \overline{IRQ} pin. This is done so as to avoid future interrupts until after another Write operation.

Interrupt Flag Register

The Interrupt Flag Register consists of two bits: the timer interrupt flag and the PA7 interrupt flag. When a read operation is performed on the Interrupt Flag Register, the bits are transferred to the processor on the data bus, as the diagram below, indicates.

Figure 4. INTERRUPT FLAG REGISTER



The PA7 flag is cleared when the Interrupt Flag Register is read. The timer flag is cleared when the timer register is either written or read.

ADDRESSING

Addressing of the SY6532 is accomplished by the 7 addressing pins, the \overline{RS} pin and the two chip select pins CS1 and $\overline{CS2}$. To address the RAM, CS1 must be high with $\overline{CS2}$ and \overline{RS} low. To address the I/O and Interval timer CS1 and \overline{RS} must be high with $\overline{CS2}$ low. As can be seen to access the chip CS1 is high and $\overline{CS2}$ is low. To distinguish between RAM or I/O Timer the \overline{RS} pin is used. When this pin is low the RAM is addressed, when high the I/O Interval timer section is addressed. To distinguish between timer and I/O address line A2 is utilized. When A2 is high the interval timer is accessed. When A2 is low the I/O section is addressed. Table 1 illustrates the chip addressing.

Edge Sense Interrupt

In addition to its use as a peripheral I/O line, the PA7 pin can function as an edge sensitive input. In this mode, an active transition on PA7 will set the internal interrupt flag (bit 6 of the Interrupt Flag Register). When this occurs, and providing the PA7 interrupt is enabled, the \overline{IRQ} output will go low.

Control of the PA7 edge detecting logic is accomplished by performing a write operation to one of four addresses. The data lines for this operation are "don't care" and the addresses to be used are found in Figure 4.

The setting of the internal interrupt flag by an active transition on PA7 is always enabled, no matter whether PA7 is set up as an input or an output.

The \overline{RES} signal disables the PA7 interrupt and sets the active transition to the negative edge-detect state. During the reset operation, the interrupt flag may be set by a negative transition. It may, therefore, be necessary to clear the flag before its normal use as an edge detecting input is enabled. This can be achieved by reading the Interrupt Flag Register, as defined by Figure 4 immediately after reset.

I/O Register - Timer Addressing

Table 1 illustrates the address decoding for the internal elements and timer programming. Address line A2 distinguishes I/O registers from the timer. When A2 is low and \overline{RS} is high, the I/O registers are addressed. Once the I/O registers are addressed, address lines A1 and A0 decode the desired register.

When the timer is selected A1 and A0 decode the "divide-by" matrix. This decoding is defined in Table 1. In addition, Address A3 is used to enable the interrupt flag to \overline{IRQ} .

Table 1 ADDRESSING DECODE

OPERATION	\overline{RS}	R/W	A4	A3	A2	A1	A0
Write RAM	0	0	—	—	—	—	—
Read RAM	0	1	—	—	—	—	—
Write DDRA	1	0	—	—	0	0	1
Read DDRA	1	1	—	—	0	0	1
Write DDRB	1	0	—	—	0	1	1
Read DDRB	1	1	—	—	0	1	1
Write Output Reg A	1	0	—	—	0	0	0
Read Output Reg A	1	1	—	—	0	0	0
Write Output Reg B	1	0	—	—	0	1	0
Read Output Reg B	1	1	—	—	0	1	0
Write Timer							
÷ 1T	1	0	1	(a)	1	0	0
÷ 8T	1	0	1	(a)	1	0	1
÷ 64T	1	0	1	(a)	1	1	0
÷ 1024T	1	0	1	(a)	1	1	1
Read Timer	1	1	—	(a)	1	—	0
Read Interrupt Flag	1	1	—	—	1	—	1
Write Edge Detect Control	1	0	0	—	1	(b)	(c)

NOTES: — = Don't Care, "1" = High level ($\geq 2.4V$), "0" = Low level ($\leq 0.4V$)

(a) A3 = 0 to disable interrupt from timer to \overline{IRQ}

(c) A0 = 0 for negative edge-detect

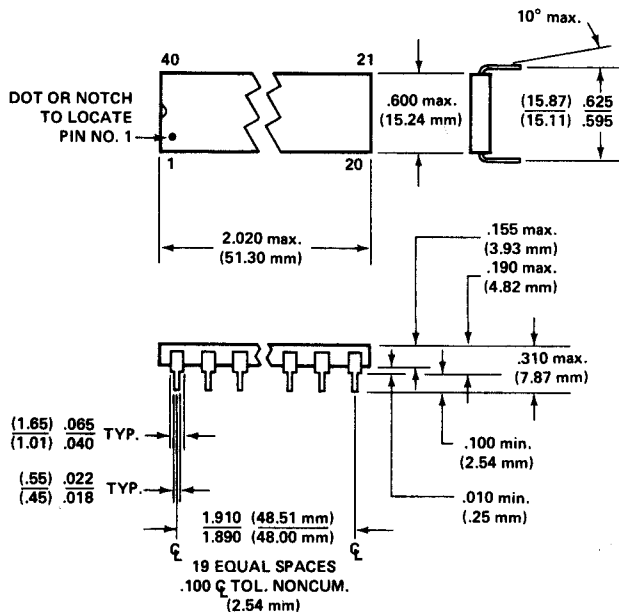
A3 = 1 to enable interrupt from timer to \overline{IRQ}

A0 = 1 for positive edge-detect

(b) A1 = 0 to disable interrupt from PA7 to \overline{IRQ}

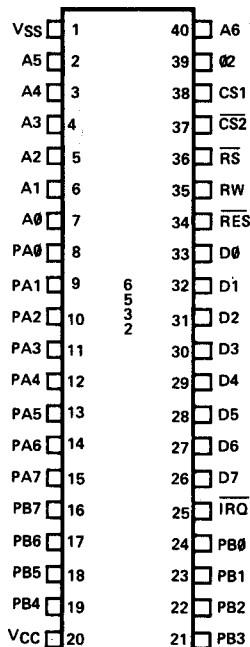
A1 = 1 to enable interrupt from PA7 to \overline{IRQ}

PACKAGE OUTLINE



NOTE: Pin No. 1 is in lower left corner when symbolization is in normal orientation

PIN DESIGNATION



APPENDIX L
SY2114 RAM DATA SHEET



1024x4 Static Random Access Memory

SY2114 MEMORY PRODUCTS

- 300 ns Maximum Access
- Low Operating Power Dissipation
0.1 mW/Bit
- No Clocks or Strobes Required
- Identical Cycle and Access Times
- Single +5V Supply

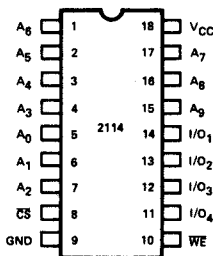
- Totally TTL Compatible:
All Inputs, Outputs, and Power Supply
- Common Data I/O
- 400 mv Noise Immunity
- High Density 18 Pin Package

The SY2114 is a 4096-Bit static Random Access Memory organized 1024 words by 4-bits and is fabricated using Synertek's N-channel Silicon-Gate MOS technology. It is designed using fully DC stable (static) circuitry in both the memory array and the decoding and therefore requires no clock or refreshing to operate. Address setup times are not required and the data is read out nondestructively with the same polarity as the input data. Common Input/Output pins are provided to simplify design of the bus oriented systems, and can drive 2 TTL loads.

The SY2114 is designed for memory applications where high performance, low cost, large bit storage, and simple interfacing are important design objectives. It is totally TTL compatible in all respects: inputs, outputs, and the single +5V supply. A separate Chip Select (\overline{CS}) input allows easy selection of an individual device when outputs are or-tied.

The SY2114 is packaged in an 18-pin DIP for the highest possible density and is fabricated with N-channel, Ion Implanted, Silicon-Gate technology — a technology providing excellent performance characteristics as well as protection against contamination allowing the use of low cost packaging techniques.

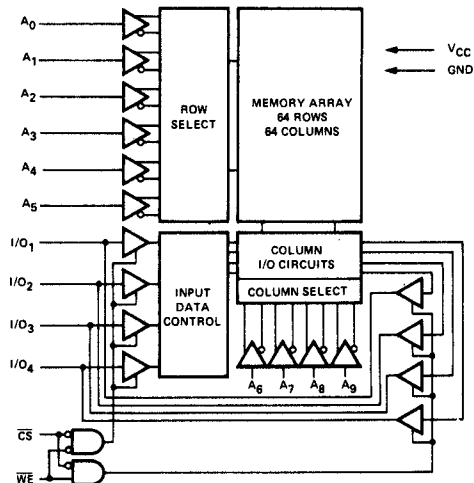
PIN CONFIGURATION



ORDERING INFORMATION

Order Number	Package Type	Access Time	Supply Current (Max)	Temperature Range
SYC2114	Ceramic	450nsec	100mamp	0°C to 70°C
SYP2114	Molded	450nsec	100mamp	0°C to 70°C
SYC2114-3	Ceramic	300nsec	100mamp	0°C to 70°C
SYP2114-3	Molded	300nsec	100mamp	0°C to 70°C
SYC2114L	Ceramic	450nsec	70mamp	0°C to 70°C
SYP2114L	Molded	450nsec	70mamp	0°C to 70°C
SYC2114L-3	Ceramic	300nsec	70mamp	0°C to 70°C
SYP2114L-3	Molded	300nsec	70mamp	0°C to 70°C

BLOCK DIAGRAM



**ABSOLUTE MAXIMUM RATINGS**

Temperature Under Bias	-10°C to 80°C
Storage Temperature	-65°C to 150°C
Voltage on Any Pin with Respect to Ground	-0.5V to +7V
Power Dissipation	1.0W

COMMENT

Stresses above those listed under "Absolute Maximum Ratings" may cause permanent damage to the device. This is a stress rating only and functional operation of the device at these or any other conditions above those indicated in the operational sections of this specification is not implied.

D.C. CHARACTERISTICS $T_A = 0^\circ\text{C}$ to $+70^\circ\text{C}$, $V_{CC} = 5V \pm 5\%$ (Unless Otherwise Specified)

Symbol	Parameter	2114-3, 2114		2114L, 2114L-3		Unit	Conditions
		Min	Max	Min	Max		
I _{LI}	Input Load Current (All input pins)		10		10	μA	V _{IN} = 0 to 5.25V
I _{LO}	I/O Leakage Current		10		10	μA	$\overline{CS} = 2.0V$, V _{I/O} = 0.4V to V _{CC}
I _{CC1}	Power Supply Current		95		65	mA	V _{CC} = 5.25V, I _{I/O} = 0 mA, T _A = 25°C
I _{CC2}	Power Supply Current		100		70	mA	V _{CC} = 5.25V, I _{I/O} = 0 mA, T _A = 0°C
V _{IL}	Input Low Voltage	-0.5	0.8	-0.5	0.8	V	
V _{IH}	Input High Voltage	2.0	V _{CC}	2.0	V _{CC}	V	
V _{OL}	Output Low Voltage		0.4		0.4	V	I _{OL} = 3.2 mA
V _{OH}	Output High Voltage	2.4	V _{CC}	2.4	V _{CC}	V	I _{OH} = -1.0 mA

CAPACITANCE $T_A = 25^\circ\text{C}$, $f = 1.0\text{ MHz}$

Symbol	Test	Typ	Max	Units
C _{I/O}	Input/Output Capacitance		5	pF
C _{IN}	Input Capacitance		5	pF

NOTE: This parameter is periodically sampled and not 100% tested.

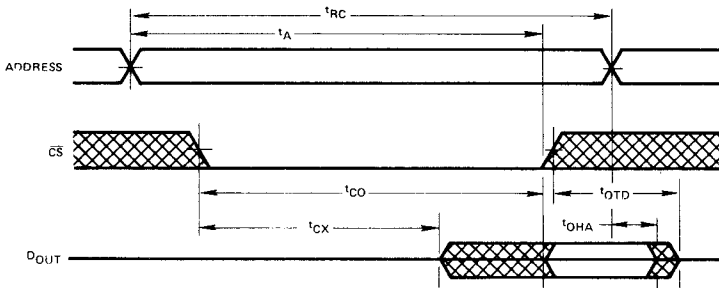
A.C. CHARACTERISTICS $T_A = 0^\circ\text{C}$ to 70°C , $V_{CC} = 5V \pm 5\%$ (Unless Otherwise Specified)

SYMBOL	PARAMETER	2114-3, 2114L-3		2114, 2114L		UNIT
		MIN	MAX	MIN	MAX	
READ CYCLE						
t _{RC}	Read Cycle Time	300		450		nsec
t _A	Access Time		300		450	nsec
t _{CO}	Chip Select to Output Valid		100		120	nsec
t _{CX}	Chip Select to Output Enabled	20		20		nsec
t _{OTD}	Chip Deselect to Output Off	0	80	0	100	nsec
t _{OHA}	Output Hold From Address Change	50		50		nsec
WRITE CYCLE						
t _{WC}	Write Cycle Time	300		450		nsec
t _{AW}	Address to Write Setup Time	0		0		nsec
t _W	Write Pulse Width	150		200		nsec
t _{WR}	Write Release Time	0		0		nsec
t _{OTW}	Write to Output Off	0	80	0	100	nsec
t _{DW}	Data to Write Overlap	150		200		nsec
t _{DH}	Data Hold	0		0		nsec

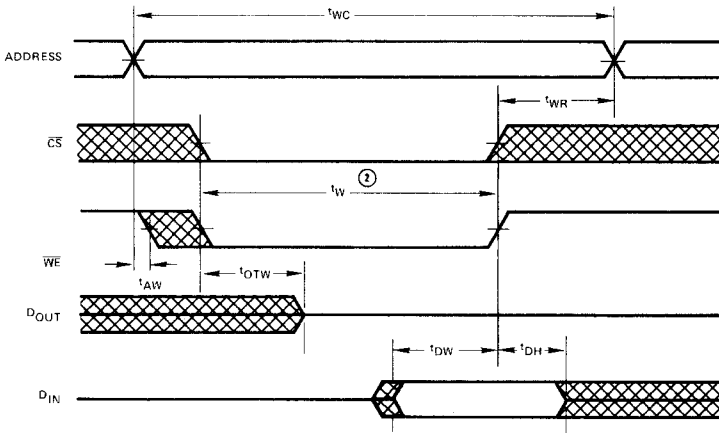
A.C. Test Conditions

Input Pulse Levels	0.8V to 2.0V
Input Rise and Fall Time	10 n sec
Timing Measurement Levels: Input	1.5V
Output	0.8 and 2.0V
Output Load	1TTL Gate and 100pF

TIMING DIAGRAMS

Read Cycle ^①

Write Cycle



NOTES:

- ① \overline{WE} is high for a Read Cycle
- ② t_W is measured from the latter of \overline{CS} or \overline{WE} going low to the earlier of \overline{CS} or \overline{WE} going high.

DATA STORAGE

When \overline{WE} is high, the data input buffers are inhibited to prevent erroneous data from being written into the array. As long as \overline{WE} remains high, the data stored cannot be affected by the Address, Chip Select, or Data I/O logic levels or timing transitions.

Data storage also cannot be affected by \overline{WE} , Addresses, or the I/O ports as long as \overline{CS} is high. Either \overline{CS} or \overline{WE} or both can prevent extraneous writing due to signal transitions.

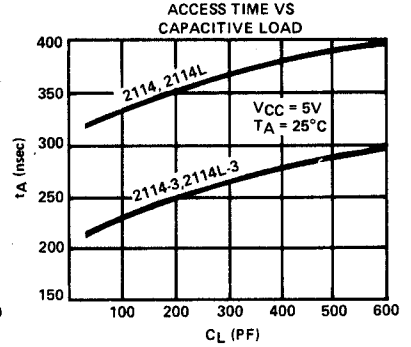
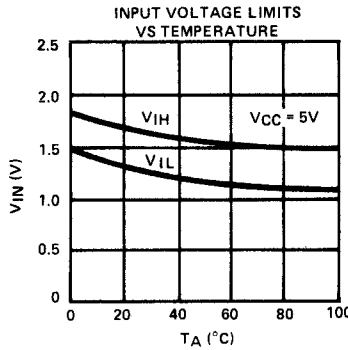
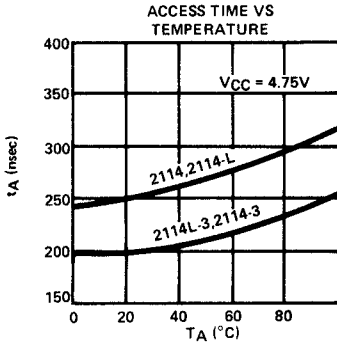
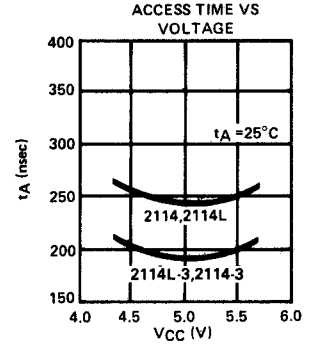
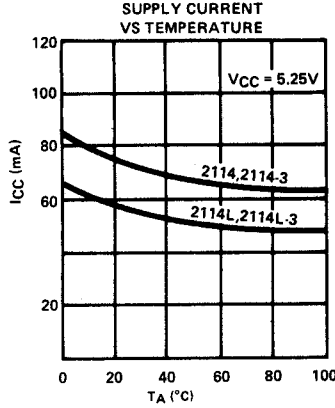
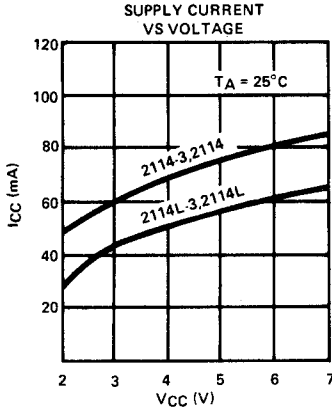
Data within the array can only be changed during Write time — defined as the overlap of \overline{CS} low and

\overline{WE} low. The addresses must be properly established during the entire Write time plus t_{WR} .

Internal delays are such that address decoding propagates ahead of data inputs and therefore no address setup time is required. If the Write time precedes the addresses, the data in previously addressed locations, or some other location, may be changed. Addresses must remain stable for the entire Write cycle but the Data Inputs may change. The data which is stable for t_{DW} at the end of the Write time will be written into the addressed location.

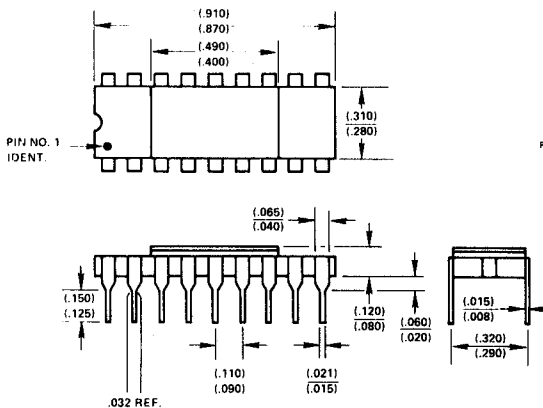


TYPICAL CHARACTERISTICS

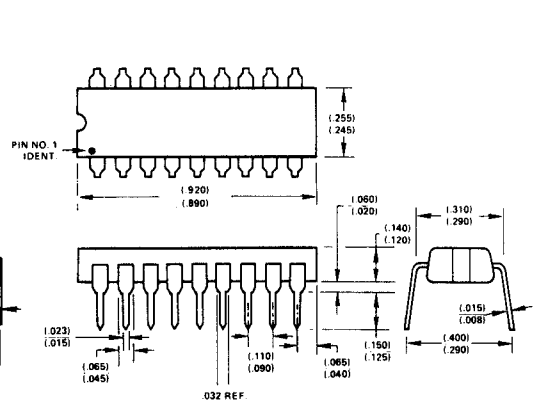


PACKAGE DIAGRAM

CERAMIC PACKAGE



MOLDED PACKAGE



SUPERMON Monitor Listing

LINE #	LOC	CODE	LINE
0002	0000		‡
0003	0000		‡*****
0004	0000		‡***** COPYRIGHT 1978 SYNERTEK SYSTEMS CORPORATION
0005	0000		‡*****
0006	0000		*=\$A600 ‡SYS RAM (ECHOED AT TOP OF MEM)
0007	A600	SCPBUF	*=**+\$20 ‡SCOPE BUFFER LAST 32 CHRS
0008	A620	RAM	=* ‡DEFAULT BLK FILLS STARTING HERE
0009	A620	JTABLE	*=**+\$10 ‡ SJUMPS - ABS ADDR, LO HI ORDER
0010	A630	SCR0	*=**+1 ‡RAM SCRATCH LOCS 0-F
0011	A631	SCR1	*=**+1
0012	A632	SCR2	*=**+1
0013	A633	SCR3	*=**+1
0014	A634	SCR4	*=**+1
0015	A635	SCR5	*=**+1
0016	A636	SCR6	*=**+1
0017	A637	SCR7	*=**+1
0018	A638	SCR8	*=**+1
0019	A639	SCR9	*=**+1
0020	A63A	SCRA	*=**+1
0021	A63B	SCRB	*=**+1
0022	A63C	SCRC	*=**+1
0023	A63D	SCRD	*=**+1
0024	A63E	RC	=SCRD
0025	A63E	SCRE	*=**+1
0026	A63F	SCRF	*=**+1
0027	A640	DISBUF	*=**+5 ‡DISPLAY BUFFER
0028	A645	RDIG	*=**+1 ‡RIGHT MOST DIGIT OF DISPLAY
0029	A646		*=**+3 ‡NOT USED
0030	A649	PARNR	*=**+1 ‡NUMBER OF PARMS RECEIVED
0031	A64A		‡
0032	A64A		‡ 3 16 BIT PARMS, LO HI ORDER
0033	A64A		‡ PASSED TO EXECUTE BLOCKS
0034	A64A		‡
0035	A64A	P3L	*=**+1
0036	A64B	P3H	*=**+1
0037	A64C	P2L	*=**+1
0038	A64D	P2H	*=**+1
0039	A64E	P1L	*=**+1
0040	A64F	P1H	*=**+1
0041	A650	PADBIT	*=**+1 ‡PAD BITS FOR CARRIAGE RETURN
0042	A651	SDBYT	*=**+1 ‡SPEED BYTE FOR TERMINAL I/O
0043	A652	ERCNT	*=**+1 ‡ ERROR COUNT (MAX \$\$\$)
0044	A653		‡ BIT 7 = ECHO /NO ECHO, BIT 6 = CTL 0 TOGGLE SW
0045	A653	TECHO	*=**+1 ‡TERMINAL ECHO FLAG
0046	A654		‡ BIT7 =CRT IN, 6 =TTY IN, 5 = TTY OUT, 4 = CRT OUT
0047	A654	TOUTFL	*=**+1 ‡OUTPUT FLAGS
0048	A655	KSHFL	*=**+1 ‡KEYBOARD SHIFT FLAG
0049	A656	TV	*=**+1 ‡TRACE VELOCITY (0=SINGLE STEP)
0050	A657	LSTCOM	*=**+1 ‡STORE LAST MONITOR COMMAND
0051	A658	MAXRC	*=**+1 ‡MAX REC LENGTH FOR MEM DUMP
0052	A659		‡
0053	A659		‡ USER REG'S FOLLOW
0054	A659		‡
0055	A659	PCLR	*=**+1 ‡PROG CTR
0056	A65A	PCHR	*=**+1

LINE #	LOC	CODE	LINE	
0057	A65B		SR	*=*+1 ;STACK
0058	A65C		FR	*=*+1 ;FLAGS
0059	A65D		AR	*=*+1 ;AREG
0060	A65E		XR	*=*+1 ;XREG
0061	A65F		YR	*=*+1 ;YREG
0062	A660			;
0063	A660			; I/O VECTORS FOLLOW
0064	A660			;
0065	A660		INVEC	*=*+3 ;IN CHAR
0066	A663		OUTVEC	*=*+3 ;OUT CHAR
0067	A666		INSVEC	*=*+3 ;IN STATUS
0068	A669			*=*+3 ;NOT USED
0069	A66C		URCVEC	*=*+3 ;UNRECOGNIZED CMD/ERROR VECTOR
0070	A66F		SCNVEC	*=*+3 ;SCAN ON-BOARD DISPLAY
0071	A672			;
0072	A672			; TRACE, INTERRUPT VECTORS
0073	A672			;
0074	A672		EXEVEC	*=*+2 ; EXEC CMD ALTERNATE INVEC
0075	A674		TRCVEC	*=*+2 ;TRACE
0076	A676		UBRKVC	*=*+2 ;USER BRK AFTER MONITOR
0077	A678		UBRKV	=UBRKVC
0078	A678		UIRQVC	*=*+2 ;USER NON-BRK IRQ AFTER MONITOR
0079	A67A		UIRQV	=UIRQVC
0080	A67A		NMIVEC	*=*+2 ;NMI
0081	A67C		RSTVEC	*=*+2 ;RESET
0082	A67E		IRQVEC	*=*+2 ;IRQ
0083	A680			;
0084	A680			;
0085	A680			;I/O REG DEFINITIONS
0086	A680		PADA	=\$A400 ;KEYBOARD/DISPLAY
0087	A680		PBDA	=\$A402 ;DATA DIRECTION FOR SAME
0088	A680		OR3A	=\$AC01 ;WP, DBON, DBOFF
0089	A680		DDR3A	=OR3A+2 ;DATA DIRECTION FOR SAME
0090	A680		OR1B	=\$A000
0091	A680		DDR1B	=\$A002
0092	A680		PCR1	=\$A00C ; POR/TAPE REMOTE
0093	A680			;
0094	A680			; MONITOR MAINLINE
0095	A680			;
0096	A680			*=\$8000
0097	8000	4C 7C 8B	MONITR	JMP MONENT ;INIT S, CLD, GET ACCESS
0098	8003	20 FF 80	WARM	JSR GETCOM ;GET COMMAND + PARMS (0-3)
0099	8006	20 4A 81		JSR DISPATCH ;DISPATCH CMD,PARMS TO EXEC BLKS
0100	8009	20 71 81		JSR ERMSG ;DISP ER MSG IF CARRY SET
0101	800C	4C 03 80		JMP WARM ;AND CONTINUE
0102	800F			;
0103	800F			; TRACE AND INTERRUPT ROUTINES
0104	800F			;
0105	800F	08	IRQBRK	PHP ;IRQ OR BRK ?
0106	8010	48		PHA
0107	8011	8A		TXA
0108	8012	48		PHA
0109	8013	BA		TSX
0110	8014	BD 04 01		LDA \$104,X ;PICK UP FLAGS
0111	8017	29 10		AND #\$10

LINE #	LOC	CODE	LINE	
0112	8019	F0 07		BEQ DETIRQ
0113	801B	68	DETBK	PLA #BRK
0114	801C	AA		TAX
0115	801D	68		PLA
0116	801E	28		PLP
0117	801F	6C F6 FF		JMP (\$FFF6)
0118	8022	68	DETIQ	PLA #IRQ (NON BRK)
0119	8023	AA		TAX
0120	8024	68		PLA
0121	8025	28		PLP
0122	8026	6C F8 FF		JMP (\$FFF8)
0123	8029	20 86 8B	SVIRQ	JSR ACCESS #SAVE REGS AND DISPLAY CODE
0124	802C	38		SEC
0125	802D	20 64 80		JSR SAVINT
0126	8030	A9 31		LDA #'1
0127	8032	4C 53 80		JMP IDISP
0128	8035	08	USRENT	PHP #USER ENTRY
0129	8036	20 86 8B		JSR ACCESS
0130	8039	38		SEC
0131	803A	20 64 80		JSR SAVINT
0132	803D	EE 59 A6		INC PCLR
0133	8040	D0 03		BNE *+5
0134	8042	EE 5A A6		INC PCHR
0135	8045	A9 33		LDA #'3
0136	8047	4C 53 80		JMP IDISP
0137	804A	20 86 8B	SVBRK	JSR ACCESS
0138	804D	18		CLC
0139	804E	20 64 80		JSR SAVINT
0140	8051	A9 30		LDA #'0
0141	8053			# INTRPT CODES #0 = BRK
0142	8053			# 1 = IRQ
0143	8053			# 2 = NMI
0144	8053			# 3 = USER ENTRY
0145	8053	48	IIDISP	PHA #OUT PC, INTRPT CODE (FROM A)
0146	8054	20 D3 80		JSR DBOFF #STOP NMI'S
0147	8057	20 4D 83		JSR CRLF
0148	805A	20 37 83		JSR OPCCOM
0149	805D	68		PLA
0150	805E	20 47 8A		JSR OUTCHR
0151	8061	4C 03 80		JMP WARM
0152	8064	8D 5D A6	SAVINT	STA AR #SAVE USER REGS AFTER INTRPT
0153	8067	8E 5E A6		STX XR
0154	806A	8C 5F A6		STY YR
0155	806D	BA		TSX
0156	806E	D8		CLD
0157	806F	BD 04 01		LDA \$104,X
0158	8072	69 FF		ADC #FFF
0159	8074	8D 59 A6		STA PCLR
0160	8077	BD 05 01		LDA \$105,X
0161	807A	69 FF		ADC #FFF
0162	807C	8D 5A A6		STA PCHR
0163	807F	BD 03 01		LDA \$103,X
0164	8082	8D 5C A6		STA FR
0165	8085	BD 02 01		LDA \$102,X
0166	8088	9D 05 01		STA \$105,X

LINE #	LOC	CODE	LINE
0167	808B	BD 01 01	LDA #101,X
0168	808E	9D 04 01	STA #104,X
0169	8091	E8	INX
0170	8092	E8	INX
0171	8093	E8	INX
0172	8094	9A	TXS
0173	8095	E8	INX
0174	8096	E8	INX
0175	8097	9E 5B A6	STX SR
0176	809A	60	RTS
0177	809B	20 86 8B	SUNMI JSR ACCESS #TRACE IF TV NE 0
0178	809E	38	SEC
0179	809F	20 64 80	JSR SAVINT
0180	80A2	20 D3 80	JSR DBOFF #STOP NMI'S
0181	80A5	AD 56 A6	LDA TV
0182	80A8	D0 05	BNE TVNZ
0183	80AA	A9 32	LDA #'2
0184	80AC	4C 53 80	JMP IDISP
0185	80AF	20 37 83	TVNZ JSR OFCCOM #TRACE WITH DELAY
0186	80B2	AD 5D A6	LDA AR
0187	80B5	20 4A 83	JSR OBCRLF #DISPLAY ACC
0188	80B8	20 5A 83	JSR DELAY
0189	80BB	90 10	BCC TRACON #STOP IF KEY ENTERED
0190	80BD	4C 03 80	JMP WARM
0191	80C0	20 86 8B	TRCOFF JSR ACCESS #DISABLE NMIS
0192	80C3	38	SEC
0193	80C4	20 64 80	JSR SAVINT
0194	80C7	20 D3 80	JSR DBOFF
0195	80CA	4C 74 A6	JMP (TRCVEC) AND GO TO SPECIAL TRACE
0196	80CD	20 E4 80	TRACON JSR DBON #ENABLE NMI'S
0197	80D0	4C FA 83	JMP GOIENT #AND RESUME
0198	80D3	AD 01 AC	DBOFF LDA OR3A #PULSE DEBUG OFF
0199	80D6	29 DF	AND ##DF
0200	80D8	09 10	ORA ##10
0201	80DA	8D 01 AC	STA OR3A
0202	80DD	AD 03 AC	LDA DDR3A
0203	80E0	09 30	ORA ##30
0204	80E2	D0 0F	BNE DBNEW-3 #RELEASE FLIP FLOP SO KEY WORKS
0205	80E4	AD 01 AC	DBON LDA OR3A #PULSE DEBUG ON
0206	80E7	29 EF	AND ##EF
0207	80E9	09 20	ORA ##20
0208	80EB	8D 01 AC	STA OR3A
0209	80EE	AD 03 AC	LDA DDR3A
0210	80F1	09 30	ORA ##30
0211	80F3	8D 03 AC	STA DDR3A
0212	80F6	AD 03 AC	DBNEW LDA DDR3A #RELEASE FLIP FLOP
0213	80F9	29 CF	AND ##CF
0214	80FB	8D 03 AC	STA DDR3A
0215	80FE	60	RTS
0216	80FF		;
0217	80FF		; GETCOM - GET COMMAND AND 0-3 PARMS
0218	80FF		;
0219	80FF	20 4D 83	GETCOM JSR CRLF
0220	8102	A9 2E	LDA #'.
0221	8104	20 47 8A	JSR OUTCHR #PROMPT

LINE #	LOC	CODE	LINE
0222	8107	20 1B 8A	GETC1 JSR INCHR
0223	810A	F0 F3	BEQ GETCOM ;CARRIAGE RETURN?
0224	810C	C9 7F	CMP ##7F ;DELETE?
0225	810E	F0 F7	BEQ GETC1
0226	8110	C9 00	CMP #0 ;NULL?
0227	8112	F0 F3	BEQ GETC1
0228	8114		; L,S,U NEED TO BE HASHED 2 BYTES TO ONE
0229	8114	C9 53	CMP #'S
0230	8116	F0 1B	BEQ HASHUS
0231	8118	C9 55	CMP #'U
0232	811A	F0 17	BEQ HASHUS
0233	811C	C9 4C	CMP #'L
0234	811E	F0 0F	BEQ HASHL
0235	8120	8D 57 A6	STOCOM STA LSTCOM
0236	8123	20 42 83	JSR SPACE
0237	8126	20 08 82	JSR PSHOVE ;ZERO PARMS
0238	8129	20 08 82	JSR PSHOVE
0239	812C	4C 20 82	JMP PARM ;AND GO GET PARMS
0240	812F	A9 01	HASHL LDA ##01 ;HASH LOAD CMDS TO ONE BYTE
0241	8131	10 02	BPL HASHUS+2
0242	8133	0A	HASHUS ASL A ;HASH 'USER' CMDS TO ONE BYTE A
0243	8134	0A	ASL A ;UO = #14 THRU U7 =#1B
0244	8135	8D 57 A6	STA LSTCOM
0245	8138	20 1B 8A	JSR INCHR ;GET SECOND
0246	813B	F0 C2	BEQ GETCOM ;CARRIAGE RETURN?
0247	813D	18	CLC
0248	813E	6D 57 A6	ADC LSTCOM
0249	8141	29 0F	AND ##0F
0250	8143	09 10	ORA ##10
0251	8145	10 D9	BPL STOCOM
0252	8147	20 1B 8A	JSR INCHR
0253	814A		;
0254	814A		;DISPATCH TO EXEC BLK OPARM, 1PARM, 2PARM, OR 3PARM
0255	814A		;
0256	814A	C9 0D	DISPAT CMP ##0D ;C/R IF OK ELSE URVEEC
0257	814C	D0 20	BNE HIPN
0258	814E	AD 57 A6	LDA LSTCOM
0259	8151	AE 49 A6	LDX PARNR
0260	8154	D0 03	BNE M12
0261	8156	4C 95 83	JMP BZPARM ;0 PARM BLOCK
0262	8159	E0 01	M12 CPX ##01
0263	815B	D0 03	BNE M13
0264	815D	4C DA 84	JMP B1PARM ;1PARM BLOCK
0265	8160	E0 02	M13 CPX ##02
0266	8162	D0 03	BNE M14
0267	8164	4C 19 86	JMP B2PARM ;2 PARM BLOCK
0268	8167	E0 03	M14 CPX ##03
0269	8169	D0 03	BNE HIPN
0270	816B	4C 14 87	JMP B3PARM ;3 PARM BLOCK
0271	816E	6C 6D A6	HIPN JMP (URVEEC+1) ;ELSE UNREC COMMAND VECTOR
0272	8171		;
0273	8171		; ERMSG - PRINT ACC IN HEX IF CARRY SET
0274	8171		;
0275	8171	90 44	ERMSG BCC M15
0276	8173	48	PHA

LINE #	LOC	CODE	LINE
0277	8174	20 40 83	JSR CRLF
0278	8177	A9 45	LDA #'E
0279	8179	20 47 8A	JSR OUTCHR
0280	817C	A9 52	LDA #'R
0281	817E	20 47 8A	JSR OUTCHR
0282	8181	20 42 83	JSR SPACE
0283	8184	68	PLA
0284	8185	4C FA 82	JMP OUTBYT
0285	8188		;
0286	8188		; SAVER - SAVE ALL REG'S + FLAGS ON STACK
0287	8188		; RETURN WITH F,A,X,Y UNCHANGED
0288	8188		; STACK HAS FLAGS,A,X,Y PUSHED
0289	8188	08	SAVER PHP ;
0290	8189	48	PHA ;
0291	818A	48	PHA ;
0292	818B	48	PHA
0293	818C	08	PHP
0294	818D	48	PHA
0295	818E	8A	TXA
0296	818F	48	PHA
0297	8190	8A	TSX
0298	8191	BD 09 01	LDA \$0109,X
0299	8194	9D 05 01	STA \$0105,X
0300	8197	BD 07 01	LDA \$0107,X
0301	819A	9D 09 01	STA \$0109,X
0302	819D	BD 01 01	LDA \$0101,X
0303	81A0	9D 07 01	STA \$0107,X
0304	81A3	BD 08 01	LDA \$0108,X
0305	81A6	9D 04 01	STA \$0104,X
0306	81A9	BD 06 01	LDA \$0106,X
0307	81AC	9D 08 01	STA \$0108,X
0308	81AF	98	TYA
0309	81B0	9D 06 01	STA \$0106,X
0310	81B3	68	PLA
0311	81B4	AA	TAX
0312	81B5	68	PLA
0313	81B6	28	PLP
0314	81B7	60	M15 RTS
0315	81B8		; RESTORE EXCEPT A,F
0316	81B8	08	RESXAF PHP
0317	81B9	8A	TSX
0318	81BA	9D 04 01	STA \$0104,X
0319	81BD	28	PLP
0320	81BE		; RESTORE EXCEPT F
0321	81BE	08	RESXF PHP
0322	81BF	68	PLA
0323	81C0	8A	TSX
0324	81C1	9D 04 01	STA \$0104,X
0325	81C4		; RESTORE ALL 100%
0326	81C4	68	RESALL PLA
0327	81C5	88	TAY
0328	81C6	68	PLA
0329	81C7	AA	TAX
0330	81C8	68	PLA
0331	81C9	28	PLP

LINE #	LOC	CODE	LINE	
0332	81CA	60		RTS
0333	81CB			;
0334	81CB			; MONITOR UTILITIES
0335	81CB			;
0336	81CB	C9 20	ADVCK	CMP ##20 ;SPACE?
0337	81CD	F0 02		BEQ M1
0338	81CF	C9 3E		CMP #'> ;FWD ARROW?
0339	81D1	38	M1	SEC
0340	81D2	60		RTS
0341	81D3	20 FA 82	OBCMIN	JSR OUTBYT ;OUT BYTE, OUT COMMA, IN BYTE
0342	81D6	20 3A 83	COMINB	JSR COMMA ;OUT COMMA, IN BYTE
0343	81D9	20 1B 8A	INBYTE	JSR INCHR
0344	81DC	20 75 82		JSR ASCNIB
0345	81DF	B0 14		BCS OUT4
0346	81E1	0A		ASL A
0347	81E2	0A		ASL A
0348	81E3	0A		ASL A
0349	81E4	0A		ASL A
0350	81E5	8D 33 A6		STA SCR3
0351	81E8	20 1B 8A		JSR INCHR
0352	81E8	20 75 82		JSR ASCNIB
0353	81EE	B0 11		BCS OUT2
0354	81F0	0D 33 A6		ORA SCR3
0355	81F3	18	GOOD	CLC
0356	81F4	60		RTS
0357	81F5	C9 27	OUT4	CMP ##27 ;SINGLE TIC ?
0358	81F7	D0 05		BNE OUT1
0359	81F9	20 1B 8A		JSR INCHR
0360	81FC	D0 F5		BNE GOOD ;CARRIAGE RETURN?
0361	81FE	B8	OUT1	CLV
0362	81FF	50 03		BVC CRCHK
0363	8201	2C 04 82	OUT2	BIT CRCHK
0364	8204	C9 0D	CRCHK	CMP ##0D ;CHECK FOR C/R
0365	8206	38		SEC
0366	8207	60		RTS
0367	8208	A2 10	PSHOVE	LDX ##10 ;PUSH FARMS DOWN
0368	820A	0E 4A A6	PRM10	ASL P3L
0369	820D	2E 4B A6		ROL P3H
0370	8210	2E 4C A6		ROL P2L
0371	8213	2E 4D A6		ROL P2H
0372	8216	2E 4E A6		ROL P1L
0373	8219	2E 4F A6		ROL P1H
0374	821C	CA		DEX
0375	821D	D0 EB		BNE PRM10
0376	821F	60		RTS
0377	8220	20 88 81	PARM	JSR SAVER ;GET FARMS - RETURN ON C/R OR ERR
0378	8223	A9 00		LDA #0
0379	8225	8D 49 A6		STA PARNR
0380	8228	8D 33 A6		STA SCR3
0381	822B	20 08 82	PM1	JSR PSHOVE
0382	822E	20 1B 8A	PARFIL	JSR INCHR
0383	8231	C9 2C		CMP #', ;VALID DELIMITERS - ,
0384	8233	F0 04		BEQ M21
0385	8235	C9 2D		CMP #'-
0386	8237	D0 11		BNE M22

LINE #	LOC	CODE	LINE		
0387	8239	A2 FF	M21	LDX ##FF	
0388	823B	8E 33 A6		STX SCR3	
0389	823E	EE 49 A6		INC PARNR	
0390	8241	AE 49 A6		LDX PARNR	
0391	8244	E0 03		CPX ##03	
0392	8246	D0 E3		BNE PM1	
0393	8248	F0 1D		BEQ M24	
0394	824A	20 75 B2	M22	JSR ASCNIB	
0395	824D	B0 18		BCS M24	
0396	824F	A2 04		LDX #4	
0397	8251	0E 4A A6	M23	ASL P3L	
0398	8254	2E 4B A6		ROL P3H	
0399	8257	CA		DEX	
0400	8258	D0 F7		BNE M23	
0401	825A	0D 4A A6		ORA P3L	
0402	825D	8D 4A A6		STA P3L	
0403	8260	A9 FF		LDA ##FF	
0404	8262	8D 33 A6		STA SCR3	
0405	8265	D0 C7		BNE PARFIL	
0406	8267	2C 33 A6	M24	BIT SCR3	
0407	826A	F0 03		BEQ M25	
0408	826C	EE 49 A6		INC PARNR	
0409	826F	C9 0D	M25	CMP ##0D	
0410	8271	18		CLC	
0411	8272	4C B8 B1		JMP RESXAF	
0412	8275	C9 0D	ASCNIB	CMP ##0D	#C/R?
0413	8277	F0 19		BEQ M29	
0414	8279	C9 30		CMP #'0	
0415	827B	90 0C		BCC M26	
0416	827D	C9 47		CMP #'0	
0417	827F	B0 08		BCS M26	
0418	8281	C9 41		CMP #'A	
0419	8283	B0 08		BCS M27	
0420	8285	C9 3A		CMP #' :	
0421	8287	90 06		BCC M28	
0422	8289	C9 30	M26	CMP #'0	
0423	828B	38		SEC	#CARRY SET - NON HEX
0424	828C	60		RTS	
0425	828D	E9 37	M27	SBC ##37	
0426	828F	29 0F	M28	AND ##0F	
0427	8291	18		CLC	
0428	8292	60	M29	RTS	
0429	8293	EE 4A A6	INCP3	INC P3L	#INCREMENT P3 (16 BITS)
0430	8296	D0 03		BNE *+5	
0431	8298	EE 4B A6		INC P3H	
0432	829B	60		RTS	
0433	829C	AE 4D A6	P2SCR	LDX P2H	#MOVE P2 TO FE,FF
0434	829F	86 FF		STX #FF	
0435	82A1	AE 4C A6		LDX P2L	
0436	82A4	86 FE		STX #FE	
0437	82A6	60		RTS	
0438	82A7	AE 4B A6	P3SCR	LDX P3H	#MOVE P3 TO FE,FF
0439	82AA	86 FF		STX #FF	
0440	82AC	AE 4A A6		LDX P3L	
0441	82AF	86 FE		STX #FE	

LINE #	LOC	CODE	LINE	
0442	82E1	60	RTS	
0443	82E2	E6 FE	INCCMP INC \$FE	;INCREM FE,FF, COMPARE TO P3
0444	82E4	D0 14	BNE COMPAR	
0445	82E6	E6 FF	INC \$FF	
0446	82E8	D0 10	WRAP BNE COMPAR	;TEST FOR WRAP AROUND
0447	82BA	2C BD 82	BIT EXWRAP	
0448	82BD	60	EXWRAP RTS	
0449	82BE	A5 FE	DECCMP LDA \$FE	;DECREM FE,FF AND COMPARE TO P3
0450	82C0	D0 06	BNE M32	
0451	82C2	A5 FF	LDA \$FF	
0452	82C4	F0 F2	BEQ WRAP	
0453	82C6	C6 FF	DEC \$FF	
0454	82C8	C6 FE	M32 DEC \$FE	
0455	82CA	20 88 81	COMPAR JSR SAVER	;COMPARE FE,FF TO P3
0456	82CD	A5 FF	LDA \$FF	
0457	82CF	CD 4B A6	CMP P3H	
0458	82D2	D0 05	BNE EXITCP	
0459	82D4	A5 FE	LDA \$FE	
0460	82D6	CD 4A A6	CMP P3L	
0461	82D9	B8	EXITCP CLV	
0462	82DA	4C BE 81	JMP RESXF	
0463	82DD	08	CHKSAD PHF	;16 BIT CKSUM IN SCR6,7
0464	82DE	48	PHA	
0465	82DF	18	CLC	
0466	82E0	6D 36 A6	ADC SCR6	
0467	82E3	8D 36 A6	STA SCR6	
0468	82E6	90 03	BCC M33	
0469	82E8	EE 37 A6	INC SCR7	
0470	82EB	68	M33 PLA	
0471	82EC	28	PLP	
0472	82ED	60	RTS	
0473	82EE	AD 59 A6	OUTPC LDA PCLR	;OUTPUT PC
0474	82F1	AE 5A A6	LDX PCHR	
0475	82F4	48	OUTXAH PHA	
0476	82F5	8A	TXA	
0477	82F6	20 FA 82	JSR OUTBYT	
0478	82F9	68	PLA	
0479	82FA	48	OUTBYT PHA	;OUTPUT 2 HEX DIGS FROM A
0480	82FB	48	PHA	
0481	82FC	4A	LSR A	
0482	82FD	4A	LSR A	
0483	82FE	4A	LSR A	
0484	82FF	4A	LSR A	
0485	8300	20 44 8A	JSR NBASOC	
0486	8303	68	PLA	
0487	8304	20 44 8A	JSR NBASOC	
0488	8307	68	PLA	
0489	8308	60	RTS	
0490	8309	29 0F	NIBASC AND #\$0F	;NIBBLE IN A TO ASCII IN A
0491	830B	C9 0A	CMP #\$0A	
0492	830D	B0 04	BCS NIBALF	
0493	830F	69 30	ADC #\$30	
0494	8311	90 02	BCC EXITNB	
0495	8313	69 36	NIBALF ADC #\$36	
0496	8315	60	EXITNB RTS	

LINE #	LOC	CODE	LINE	
0497	8316	20 4D 83	CRLFSZ	JSR CRLF ;PRINT CRLF, FF, FE
0498	8319	A6 FF	OUTSZ	LDX \$FF
0499	831B	A5 FE		LDA \$FE
0500	831D	4C F4 82		JMP OUTXAH
0501	8320	A9 3F	OUTQM	LDA #'?
0502	8322	4C 47 8A		JMP OUTCHR
0503	8325	20 3A 83	OCMCK	JSR COMMA ;OUT COMMA, CKSUM LO
0504	8328	AD 36 A6		LDA SCR6
0505	832B	4C FA 82		JMP OUTBYT
0506	832E	A9 00	ZERCK	LDA #0 ;INIT CHECKSUM
0507	8330	8D 36 A6		STA SCR6
0508	8333	8D 37 A6		STA SCR7
0509	8336	60		RTS
0510	8337	20 EE 82	OPCCOM	JSR OUTPC ;PC OUT, COMMA OUT
0511	833A	48	COMMA	PHA ;COMMA OUT
0512	833B	A9 2C		LDA #',
0513	833D	D0 06		BNE SPCP3
0514	833F	20 42 83	SPC2	JSR SPACE ;2 SPACES OUT
0515	8342	48	SPACE	PHA ;1 SPACE OUT
0516	8343	A9 20		LDA ##20
0517	8345	20 47 8A	SPCP3	JSR OUTCHR
0518	8348	68		PLA
0519	8349	60		RTS
0520	834A	20 FA 82	OBCRLF	JSR OUTBYT ;BYTE OUT, CRLF OUT
0521	834D	48	CRLF	PHA
0522	834E	A9 0D		LDA ##0D
0523	8350	20 47 8A		JSR OUTCHR
0524	8353	A9 0A		LDA ##0A ;LINE FEED
0525	8355	20 47 8A		JSR OUTCHR
0526	8358	68		PLA
0527	8359	60		RTS
0528	835A	AE 56 A6	DELAY	LDX TV ;DELAY DEPENDS ON TV
0529	835D	20 88 81	DL1	JSR SAVER
0530	8360	A9 FF		LDA ##FF
0531	8362	8D 39 A6		STA SCR9
0532	8365	8D 38 A6		STA SCR8
0533	8368	0E 38 A6	DLY1	ASL SCR8
0534	836B	2E 39 A6		ROL SCR9
0535	836E	CA		DEX
0536	836F	D0 F7		BNE DLY1
0537	8371	20 03 89	DLY2	JSR IJSCNV ;SCAN DISPLAY
0538	8374	20 86 83		JSR INSTAT ;SEE IF KEY DOWN
0539	8377	B0 0A		BCS DLY0
0540	8379	EE 38 A6		INC SCR8
0541	837C	D0 03		BNE *+5
0542	837E	EE 39 A6		INC SCR9
0543	8381	D0 EE		BNE DLY2
0544	8383	4C BE 81	DLY0	JMP RESXF
0545	8386			; INSTAT - SEE IF KEY DOWN, RESULT IN CARRY
0546	8386			; KYSTAT, TSTAT RETURN IMMEDIATELY W/STATUS
0547	8386			; INSTAT WAITS FOR RELEASE
0548	8386	20 92 83	INSTAT	JSR INJISV
0549	8389	90 06		BCC INST2
0550	838B	20 92 83	INST1	JSR INJISV
0551	838E	B0 FB		BCS INST1

LINE #	LOC	CODE	LINE
0552	8390	38	SEC
0553	8391	60	INST2 RTS
0554	8392	6C 67 A6	INJISV JMP (INSVEC+1)
0555	8395		;
0556	8395		;
0557	8395		; *** EXECUTE BLOCKS BEGIN HERE
0558	8395		;
0559	8395		BZPARM=*
0560	8395		; ZERO PARM COMMANDS
0561	8395		;
0562	8395	C9 52	REGZ CMP #'R ;DISP REGISTERS
0563	8397	D0 5A	BNE GOZ ;PC,S,F,A,X,Y
0564	8399	20 4D 83	RGBACK JSR CRLF
0565	839C	A9 50	LDA #'P
0566	839E	20 47 8A	JSR OUTCHR
0567	83A1	20 42 83	JSR SPACE
0568	83A4	20 EE 82	JSR OUTPC
0569	83A7	20 D6 81	JSR COMINB
0570	83AA	B0 13	BCS NH3
0571	83AC	8D 34 A6	STA SCR4
0572	83AF	20 D9 81	JSR INBYTE
0573	83B2	B0 08	BCS NH3
0574	83B4	8D 59 A6	STA FCLR
0575	83B7	AD 34 A6	LDA SCR4
0576	83BA	8D 5A A6	STA FCHR
0577	83BD	90 09	BCC M34
0578	83BF	D0 02	NH3 BNE NOTCR
0579	83C1	18	EXITRG CLC
0580	83C2	60	EXRGP1 RTS
0581	83C3	20 CB 81	NOTCR JSR ADVCK
0582	83C6	D0 FA	BNE EXRGP1
0583	83C8	A0 00	M34 LDY #0
0584	83CA	C8	M35 INY
0585	83CB	C0 06	CPY #6
0586	83CD	F0 CA	BEQ RGBACK
0587	83CF	20 4D 83	JSR CRLF
0588	83D2	A9 52	NXTRG LDA #'R
0589	83D4	20 47 8A	JSR OUTCHR
0590	83D7	98	TYA
0591	83D8	20 44 8A	JSR NBASOC
0592	83DB	20 3F 83	JSR SPC2
0593	83DE	B9 5A A6	LDA FCHR,Y
0594	83E1	20 D3 81	JSR OBCMIN
0595	83E4	B0 05	BCS M36
0596	83E6	99 5A A6	STA FCHR,Y
0597	83E9	90 DF	BCC M35
0598	83EB	F0 D4	M36 BEQ EXITRG
0599	83ED	20 CB 81	JSR ADVCK
0600	83F0	F0 D8	BEQ M35
0601	83F2	60	RTS
0602	83F3	C9 47	GOZ CMP ##47
0603	83F5	D0 20	BNE LPZB
0604	83F7	20 4D 83	GO2 JSR CRLF
0605	83FA	20 9C 8B	GO1ENT JSR ACCES ;WRITE PROT MONITR RAM
0606	83FD	AE 5B A6	LDX SR ;RESTORE REGS

LINE #	LOC	CODE	LINE	
0607	8400	9A		TXS
0608	8401	AD 5A A6		LDA PCHR
0609	8404	48		PHA
0610	8405	AD 59 A6		LDA PCLR
0611	8408	48	NR10	PHA
0612	8409	AD 5C A6		LDA FR
0613	840C	48		PHA
0614	840D	AC 5F A6		LDY YR
0615	8410	AE 5E A6		LDX XR
0616	8413	AD 5D A6		LDA AR
0617	8416	40		RTI
0618	8417	C9 11	LPZB	CMP ##11 ;LOAD PAPER TAPE
0619	8419	F0 03		BEQ *+5
0620	841B	4C A7 84		JMP DEPZ
0621	841E	20 88 81		JSR SAVER
0622	8421	20 4D 83		JSR CRLF
0623	8424	A9 00		LDA #0
0624	8426	8D 52 A6		STA ERCNT
0625	8429	20 2E 83	LPZ	JSR ZERCK
0626	842C	20 1B 8A	LP1	JSR INCHR
0627	842F	C9 3B		CMP ##3B
0628	8431	D0 F9		BNE LP1
0629	8433	20 A1 84		JSR LDBYTE
0630	8436	B0 56		BCS TAPERR
0631	8438	D0 09		BNE NUREC
0632	843A	AD 52 A6		LDA ERCNT ;ERRORS ?
0633	843D	F0 01		BEQ *+3
0634	843F	38	EXITLP	SEC
0635	8440	4C BE 81		JMP RESXF
0636	8443	8D 3D A6	NUREC	STA RC
0637	8446	20 A1 84		JSR LDBYTE
0638	8449	B0 43		BCS TAPERR
0639	844B	85 FF		STA \$FF
0640	844D	20 A1 84		JSR LDBYTE
0641	8450	B0 D7		BCS LPZ
0642	8452	85 FE		STA \$FE
0643	8454	20 A1 84	MORED	JSR LDBYTE
0644	8457	B0 35		BCS TAPERR
0645	8459	A0 00		LDY #0
0646	845B	91 FE		STA (\$FE),Y
0647	845D	D1 FE		CMP (\$FE),Y
0648	845F	F0 0C		BEQ LPGD
0649	8461	AD 52 A6		LDA ERCNT
0650	8464	29 0F		AND ##0F
0651	8466	C9 0F		CMP ##0F
0652	8468	F0 03		BEQ *+5
0653	846A	EE 52 A6		INC ERCNT
0654	846D	20 B2 82	LPGD	JSR INCCMP
0655	8470	CE 3D A6		DEC RC
0656	8473	D0 DF		BNE MORED
0657	8475	20 D9 81		JSR INBYTE
0658	8478	B0 14		BCS TAPERR
0659	847A	CD 37 A6		CMP SCR7
0660	847D	D0 0C		BNE BADDY
0661	847F	20 D9 81		JSR INBYTE

LINE #	LOC	CODE	LINE
0662	8482	B0 0A	BCS TAPERR
0663	8484	CD 36 A6	CMF SCR6
0664	8487	F0 A0	BEQ LPZ
0665	8489	D0 03	BNE TAPERR ;(ALWAYS)
0666	848B	20 D9 81	BADDY JSR INBYTE
0667	848E	AD 52 A6	TAPERR LDA ERCNT
0668	8491	29 F0	AND ##F0
0669	8493	C9 F0	CMF ##F0
0670	8495	F0 92	BEQ LPZ
0671	8497	AD 52 A6	LDA ERCNT
0672	849A	69 10	ADC ##10
0673	849C	8D 52 A6	STA ERCNT
0674	849F	D0 88	BNE LPZ
0675	84A1	20 D9 81	LDBYTE JSR INBYTE
0676	84A4	4C DD 82	JMP CHKSAD
0677	84A7	C9 44	DEPZ CMP #'D ;DEPOSIT, 0 PARM - USE (OLD)
0678	84A9	D0 03	BNE MEMZ
0679	84AB	4C E1 84	JMP NEWLN
0680	84AE	C9 4D	MEMZ CMP #'M ;MEM, 0 PARM - USE (OLD)
0681	84B0	D0 03	BNE VERZ
0682	84B2	4C 17 85	JMP NEWLOC
0683	84B5	C9 56	VERZ CMP #'V ;VERIFY, 0 PARM - USE (OLD)
0684	84B7	D0 0D	BNE L1ZB ; ... DO 8 BYTES (LIKE VER 1 PARM.
0685	84B9	A5 FE	LDA \$FE
0686	84BB	8D 4A A6	STA P3L
0687	84BE	A5 FF	LDA \$FF
0688	84C0	8D 4B A6	STA P3H
0689	84C3	4C 9A 85	JMP VER1+4
0690	84C6	C9 12	L1ZB CMP ##12 ;LOAD KIM, ZERO PARM
0691	84C8	D0 05	BNE L2ZB
0692	84CA	A0 00	LDY #0 ;MODE = KIM
0693	84CC	4C 78 8C	L1J JMP LENTRY ;GO TO CASSETTE ROUTINE
0694	84CF	C9 13	L2ZB CMP ##13 ;LOAD HS, ZERO PARM
0695	84D1	D0 04	BNE EZPARM
0696	84D3	A0 80	LDY ##80 ;MODE = HS
0697	84D5	D0 F5	BNE L1J ;(ALWAYS)
0698	84D7	6C 6D A6	EZPARM JMP (URCVEC+1) ; ... ELSE UNREC CMD
0699	84DA		BIPARM=*
0700	84DA		;
0701	84DA		; 1 PARAMETER COMMAND EXEC BLOCKS
0702	84DA		;
0703	84DA	C9 44	DEP1 CMP #'D ;DEPOSIT, 1 PARM
0704	84DC	D0 32	BNE MEM1
0705	84DE	20 A7 82	JSR P3SCR
0706	84E1	20 16 83	NEWLN JSR CRLFSZ
0707	84E4	A0 00	LDY #0
0708	84E6	A2 08	LDX ##8
0709	84E8	20 42 83	DEPBYT JSR SPACE
0710	84EB	20 D9 81	JSR INBYTE
0711	84EE	B0 11	BCS NH41
0712	84F0	91 FE	STA (\$FE),Y
0713	84F2	D1 FE	CMF (\$FE),Y ;VERIFY
0714	84F4	F0 03	BEQ DEPZ
0715	84F6	20 20 83	JSR OUTQM ;TYPE ? IF NG
0716	84F9	20 B2 82	DEPN JSR INCCMP

LINE #	LOC	CODE	LINE		
0717	84FC	CA		DEX	
0718	84FD	D0 E9		BNE DEPBYT	
0719	84FF	F0 E0		BEQ NEWLN	
0720	8501	F0 0B	NH41	BEQ DEPEC	
0721	8503	C9 20		CMP ##20	#SPACE = FWD
0722	8505	D0 4C		BNE DEPES	
0723	8507	70 F0		BVS DEPN	
0724	8509	20 42 83		JSR SPACE	
0725	850C	10 EB		BPL DEPN	
0726	850E	18	DEPEC	CLC	
0727	850F	60		RTS	
0728	8510	C9 4D	MEM1	CMP #'M	#MEMORY, 1 PARM
0729	8512	D0 65		BNE G01	
0730	8514	20 A7 82		JSR P3SCR	
0731	8517	20 16 83	NEWLOC	JSR CRLF5Z	
0732	851A	20 3A 83		JSR COMMA	
0733	851D	A0 00		LDY #0	
0734	851F	B1 FE		LDA (\$FE),Y	
0735	8521	20 D3 81		JSR OBCMIN	
0736	8524	B0 11		BCS NH42	
0737	8526	A0 00		LDY #0	
0738	8528	91 FE		STA (\$FE),Y	
0739	852A	D1 FE		CMP (\$FE),Y	#VERIFY MEM
0740	852C	F0 03		BEQ NXTLOC	
0741	852E	20 20 83		JSR OUTQM	#TYPE ? AND CONTINUE
0742	8531	20 B2 82	NXTLOC	JSR INCCMP	
0743	8534	18		CLC	
0744	8535	90 E0		BCC NEWLOC	
0745	8537	F0 3E	NH42	BEQ EXITM1	
0746	8539	50 04		BVC #+6	
0747	853B	C9 3C		CMP #'<	
0748	853D	F0 D8		BEQ NEWLOC	
0749	853F	C9 20		CMP ##20	#SPACE ?
0750	8541	F0 EE		BEQ NXTLOC	
0751	8543	C9 3E		CMP #'>	
0752	8545	F0 EA		BEQ NXTLOC	
0753	8547	C9 2B		CMP #'+	
0754	8549	F0 10		BEQ LOCP8	
0755	854B	C9 3C		CMP #'<	
0756	854D	F0 06		BEQ PRVLOC	
0757	854F	C9 2D		CMP #'-	
0758	8551	F0 16		BEQ LOCM8	
0759	8553	38	DEPES	SEC	
0760	8554	60		RTS	
0761	8555	20 BE 82	PRVLOC	JSR DECCMP	#BACK ONE BYT
0762	8558	18		CLC	
0763	8559	90 BC		BCC NEWLOC	
0764	855B	A5 FE	LOCP8	LDA \$FE	#GO FWD 8 BYTES
0765	855D	18		CLC	
0766	855E	69 08		ADC ##08	
0767	8560	85 FE		STA \$FE	
0768	8562	90 02		BCC M42	
0769	8564	E6 FF		INC \$FF	
0770	8566	18	M42	CLC	
0771	8567	90 AE		BCC NEWLOC	

LINE #	LOC	CODE	LINE		
0772	8569	A5 FE	LOCMB	LDA \$FE	# GO BACKWD 8 BYTES
0773	856B	38		SEC	
0774	856C	E9 08		SBC #\$08	
0775	856E	85 FE		STA \$FE	
0776	8570	B0 02		BCS M43	
0777	8572	C6 FF		DEC \$FF	
0778	8574	18	M43	CLC	
0779	8575	90 A0		BCC NEWLOC	
0780	8577	18	EXITM1	CLC	
0781	8578	60		RTS	
0782	8579	C9 47	G01	CMP #'G	# GO, 1 PARM (RTRN ADDR ON STK)
0783	857B	D0 19		BNE VER1	... PARM IS ADDR TO GO TO
0784	857D	20 4D 83		JSR CRLF	
0785	8580	20 9C 8B		JSR NACCES	#WRITE PROT MONITR RAM
0786	8583	A2 FF		LDX #\$FF	#PUSH RETURN ADDR
0787	8585	9A		TXS	
0788	8586	A9 7F		LDA #\$7F	
0789	8588	48		PHA	
0790	8589	A9 FF		LDA #\$FF	
0791	858B	48		PHA	
0792	858C	AD 4B A6		LDA P3H	
0793	858F	48		PHA	
0794	8590	AD 4A A6		LDA P3L	
0795	8593	4C 08 84		JMP NR10	
0796	8596	C9 56	VER1	CMP #'V	#VERIFY, 1 PARM (8 BYTES, CKSUM)
0797	8598	D0 1A		BNE JUMP1	
0798	859A	AD 4A A6		LDA P3L	
0799	859D	8D 4C A6		STA P2L	
0800	85A0	18		CLC	
0801	85A1	49 07		ADC #\$07	
0802	85A3	8D 4A A6		STA P3L	
0803	85A6	AD 4B A6		LDA P3H	
0804	85A9	8D 4D A6		STA P2H	
0805	85AC	69 00		ADC #0	
0806	85AE	8D 4B A6		STA P3H	
0807	85B1	4C 40 86		JMP VER2+4	
0808	85B4	C9 4A	JUMP1	CMP #'J	#JUMP (JUMP TABLE IN SYS RAM)
0809	85B6	D0 1F		BNE L11B	
0810	85B8	AD 4A A6		LDA P3L	
0811	85BB	C9 08		CMP #\$8	# 0-7 ONLY VALID
0812	85BD	B0 26		BCS JUM2	
0813	85BF	20 9C 8B		JSR NACCES	#WRITE PROT SYS RAM
0814	85C2	0A		ASL A	
0815	85C3	A8		TAY	
0816	85C4	A2 FF		LDX #\$FF	#INIT STK PTR
0817	85C6	9A		TXS	
0818	85C7	A9 7F		LDA #\$7F	#PUSH COLD RETURN
0819	85C9	48		PHA	
0820	85CA	A9 FF		LDA #\$FF	
0821	85CC	48		PHA	
0822	85CD	B9 21 A6		LDA JTABLE+1,Y	#GET ADDR FROM TABLE
0823	85D0	48		PHA	#PUSH ON STACK
0824	85D1	B9 20 A6		LDA JTABLE,Y	
0825	85D4	4C 08 84		JMP NR10	#LOAD UP USER REG'S AND RTI
0826	85D7	C9 12	L11B	CMP #\$12	#LOAD KIM FMT, 1 PARM

LINE #	LOC	CODE	LINE
0827	85D9	D0 14	BNE L21B
0828	85DB	A0 00	LDY #0
0829	85DD	AD 4A A6	L11C LDA P3L
0830	85E0	C9 FF	CMP ##FF
0831	85E2	D0 02	BNE *+4
0832	85E4	38	SEC
0833	85E5	60	JUM2 RTS
0834	85E6	20 08 82	JSR PSHOVE
0835	85E9	20 08 82	L11D JSR PSHOVE
0836	85EC	4C 78 8C	JMP LENTRY
0837	85EF	C9 13	L21B CMP ##13
0838	85F1	D0 04	BNE WPR1B
0839	85F3	A0 80	LDY ##80
0840	85F5	D0 E6	BNE L11C
0841	85F7	C9 57	WPR1B CMP #'W
0842	85F9	D0 1B	BNE E1PARM
0843	85FB	AD 4A A6	LDA P3L
0844	85FE	29 11	AND ##11
0845	8600	C9 08	CMP #8
0846	8602	2A	ROL A
0847	8603	4E 4B A6	LSR P3H
0848	8606	2A	ROL A
0849	8607	0A	ASL A
0850	8608	29 0F	AND ##0F
0851	860A	49 0F	EOR ##0F
0852	860C	8D 01 AC	STA OR3A
0853	860F	A9 0F	LDA ##0F
0854	8611	8D 03 AC	STA DDR3A
0855	8614	18	CLC
0856	8615	60	RTS
0857	8616	4C 27 88	E1PARM JMP CALC3
0858	8619		B2PARM=*
0859	8619		;
0860	8619		;
0861	8619		;
0862	8619	C9 10	STD2 CMP ##10
0863	861B	D0 12	BNE MEM2
0864	861D	20 A7 82	JSR P3SCR
0865	8620	AD 4D A6	LDA P2H
0866	8623	A0 01	LDY #1
0867	8625	91 FE	STA (\$FE),Y
0868	8627	88	DEY
0869	8628	AD 4C A6	LDA P2L
0870	862B	91 FE	STA (\$FE),Y
0871	862D	18	CLC
0872	862E	60	RTS
0873	862F	C9 4D	MEM2 CMP #'M
0874	8631	D0 09	BNE VER2
0875	8633	AD 4C A6	LDA P2L
0876	8636	8D 4E A6	STA P1L
0877	8639	4C 08 88	JMP MEM3C
0878	863C	C9 56	VER2 CMP #'V
0879	863E	D0 48	BNE L12B
0880	8640	20 9C 82	JSR P2SCR
0881	8643	20 2E 83	JSR ZERCK

#MODE = KIM

ID MUST NOT BE FF

#FIX PARM POSITION

#LOAD TAPE, HS FMT, 1 PARM

#MODE = HS

#WRITE PROT USER RAM

FIRST DIG IS 1K ABOVE 0,
SECOND IS 2K ABOVE 0
THIRD IS 3K ABOVE 0.

#0 IS PROTECT

;

#STORE DOUBLE BYTE

#CONTINUE MEM SEARCH W/OLD PTR

#VERIFY MEM W/CHKSUMS , 2 PARM

LINE #	LOC	CODE	LINE		
0882	8646	20 16 83	VADDR	JSR CRLFSZ	
0883	8649	A2 08		LDX #8	
0884	864B	20 42 83	V2	JSR SPACE	
0885	864E	A0 00		LDY #0	
0886	8650	B1 FE		LDA (*FE),Y	
0887	8652	20 DD 82		JSR CHKSAD	
0888	8655	20 FA 82		JSR OUTBYT	
0889	8658	20 B2 82		JSR INCCMP	
0890	865B	70 10		BVS V1	
0891	865D	F0 02		BEQ *+4	
0892	865F	B0 0C		BCS V1	
0893	8661	CA		DEX	
0894	8662	D0 E7		BNE V2	
0895	8664	20 25 83	VOCK	JSR OCMCK	
0896	8667	20 86 83		JSR INSTAT	
0897	866A	90 DA		BCC VADDR	
0898	866C	60		RTS	
0899	866D	20 BE 82	V1	JSR DECCMP	
0900	8670	E0 08		CPX #8	
0901	8672	F0 03		BEQ *+5	
0902	8674	E8		INX	
0903	8675	10 F6		BPL V1	
0904	8677	20 25 83		JSR OCMCK	
0905	867A	20 4D 83		JSR CRLF	
0906	867D	20 42 83		JSR SPACE	
0907	8680	AE 37 A6		LDX SCR7	
0908	8683	20 F4 82		JSR OUTXAH	
0909	8686	18		CLC	
0910	8687	60		RTS	
0911	8688	C9 12	L12B	CMP ##12	!LOAD KIM FMT TAPE, 2 PARMS
0912	868A	D0 0C		BNE SP2B	
0913	868C	AD 4C A6	L12C	LDA P2L	
0914	868F	C9 FF		CMP ##FF	!ID MUST BE FF
0915	8691	D0 F4		BNE L12B-1	!ERR
0916	8693	A0 00		LDY #0	!MODE = HS
0917	8695	4C E9 85		JMP L11D	
0918	8698	C9 1C	SP2B	CMP ##1C	!SAVE PAPER TAPE, 2 PARMS
0919	869A	D0 75		BNE E2PARM	
0920	869C	18		CLC	
0921	869D	20 88 81		JSR SAVER	
0922	86A0	20 9C 82		JSR P2SCR	
0923	86A3	20 FA 86	SP2C	JSR DIFFZ	
0924	86A6	B0 03		BCS SP2D	
0925	86A8	4C C4 81	SPEXIT	JMP RESALL	
0926	86AB	20 4D 83	SP2D	JSR CRLF	
0927	86AE	CD 58 A6		CMP MAXRC	
0928	86B1	90 05		BCC SP2E	
0929	86B3	AD 58 A6		LDA MAXRC	
0930	86B6	B0 02		BCS SP2F	
0931	86B8	69 01	SP2E	ADC #1	
0932	86BA	8D 3D A6	SP2F	STA RC	
0933	86BD	A9 3B		LDA ##3B	
0934	86BF	20 47 8A		JSR OUTCHR	
0935	86C2	AD 3D A6		LDA RC	
0936	86C5	20 F4 86		JSR SVBYTE	

LINE #	LOC	CODE	LINE	
0937	86C8	A5 FF		LDA \$FF
0938	86CA	20 F4 86		JSR SVBYTE
0939	86CD	A5 FE		LDA \$FE
0940	86CF	20 F4 86		JSR SVBYTE
0941	86D2	A0 00	MORED2	LDY #\$00
0942	86D4	B1 FE		LDA (\$FE),Y
0943	86D6	20 F4 86		JSR SVBYTE
0944	86D9	20 86 83		JSR INSTAT ;STOP IF KEY DEPRESSED
0945	86DC	B0 CA		BCS SPEXIT
0946	86DE	20 B2 82		JSR INCCMP
0947	86E1	70 C5		BVS SPEXIT
0948	86E3	CE 3D A6		DEC RC
0949	86E6	D0 EA		BNE MORED2
0950	86E8	AE 37 A6		LDX SCR7
0951	86EB	AD 36 A6		LDA SCR6
0952	86EE	20 F4 82		JSR OUTXAH
0953	86F1	18		CLC
0954	86F2	90 AF		BCC SP2C
0955	86F4	20 DD 82	SVBYTE	JSR CHKSAD
0956	86F7	4C FA 82		JMP OUTBYT
0957	86FA	20 2E 83	DIFFZ	JSR ZERCK
0958	86FD	AD 4A A6	DIFFL	LDA P3L
0959	8700	38		SEC
0960	8701	E5 FE		SBC \$FE
0961	8703	48		PHA
0962	8704	AD 4B A6		LDA P3H
0963	8707	E5 FF		SBC \$FF
0964	8709	F0 04		BEQ DIFF1
0965	870B	68		PLA
0966	870C	A9 FF		LDA #\$FF
0967	870E	60		RTS
0968	870F	68	DIFF1	PLA
0969	8710	60	DIFFL2	RTS
0970	8711	4C 27 88	E2PARM	JMP CALC3 ;MAY BE CALC OR EXEC
0971	8714		B3PARM	=*
0972	8714			;
0973	8714			; 3 PARAMETER COMMAND EXECUTE BLOCKS
0974	8714			;
0975	8714	C9 46	FILL3	CMP #'F ;FILL MEM
0976	8716	D0 21		BNE BLK3
0977	8718	20 9C 82		JSR P2SCR
0978	871B	A9 00		LDA #0
0979	871D	8D 52 A6		STA ERCNT ;ZERO ERROR COUNT
0980	8720	AD 4E A6		LDA P1L
0981	8723	A0 00	F1	LDY #0
0982	8725	91 FE		STA (\$FE),Y
0983	8727	D1 FE		CMP (\$FE),Y ;VERIFY
0984	8729	F0 03		BEQ F3
0985	872B	20 C1 87		JSR BRIT ;INC ERCNT (UP TO FF)
0986	872E	20 B2 82	F3	JSR INCCMP
0987	8731	70 7C		BVS B1
0988	8733	F0 EE		BEQ F1
0989	8735	90 EC		BCC F1
0990	8737	B0 76	F2	BCS B1 ;(ALWAYS)
0991	8739	C9 42	BLK3	CMP #'B ;BLOCK MOVE (OVERLAP OK)

LINE #	LOC	CODE	LINE
0992	873B	F0 03	BEQ *+5
0993	873D	4C CD 87	JMP S13B
0994	8740	A9 00	LDA #0
0995	8742	8D 52 A6	STA ERCNT
0996	8745	20 9C 82	JSR P2SCR
0997	8748	AD 4E A6	LDA P1L
0998	874B	85 FC	STA \$FC
0999	874D	AD 4F A6	LDA P1H
1000	8750	85 FD	STA \$FD
1001	8752	C5 FF	CMP \$FF
1002	8754	D0 06	BNE *+8
1003	8756	A5 FC	LDA \$FC
1004	8758	C5 FE	CMP \$FE
1005	875A	F0 53	BEQ B1
1006	875C	B0 14	BCS B2
1007	875E	20 B7 87	BLP JSR BMOVE
1008	8761	E6 FC	INC \$FC
1009	8763	D0 02	BNE *+4
1010	8765	E6 FD	INC \$FD
1011	8767	20 B2 82	JSR INCCMP
1012	876A	70 43	BVS B1
1013	876C	F0 F0	BEQ BLP
1014	876E	90 EE	BCC BLP
1015	8770	B0 3D	BCS B1
1016	8772	A5 FC	B2 LDA \$FC
1017	8774	18	CLC
1018	8775	6D 4A A6	ADC P3L
1019	8778	85 FC	STA \$FC
1020	877A	A5 FD	LDA \$FD
1021	877C	6D 4B A6	ADC P3H
1022	877F	85 FD	STA \$FD
1023	8781	38	SEC
1024	8782	A5 FC	LDA \$FC
1025	8784	E5 FE	SBC \$FE
1026	8786	85 FC	STA \$FC
1027	8788	A5 FD	LDA \$FD
1028	878A	E5 FF	SBC \$FF
1029	878C	85 FD	STA \$FD
1030	878E	20 A7 82	JSR P3SCR
1031	8791	AD 4C A6	LDA P2L
1032	8794	8D 4A A6	STA P3L
1033	8797	AD 4D A6	LDA P2H
1034	879A	8D 4B A6	STA P3H
1035	879D	20 B7 87	BLP1 JSR BMOVE
1036	87A0	A5 FC	LDA \$FC
1037	87A2	D0 02	BNE *+4
1038	87A4	C6 FD	DEC \$FD
1039	87A6	C6 FC	DEC \$FC
1040	87A8	20 BE 82	JSR DECCMP
1041	87AB	70 02	BVS B1
1042	87AD	B0 EE	BCS BLP1
1043	87AF	AD 52 A6	B1 LDA ERCNT
1044	87B2	38	SEC
1045	87B3	D0 01	BNE *+3
1046	87B5	18	CLC

\$WHICH DIRECTION TO MOVE?

\$16 BITS EQUAL THEN FINISHED

\$MOVE DEC'NG

\$MOVE INC'NG

\$CALC VALS FOR MOVE DEC'NG

\$MOVE DEC'NG

\$FINISHED, TEST ERCNT

LINE #	LOC	CODE	LINE		
1047	87B6	60		RTS	
1048	87B7	A0 00	BMOVE	LDY #0	;MOVE 1 BYT + VER
1049	87B9	B1 FE		LDA (\$FE),Y	
1050	87BB	91 FC		STA (\$FC),Y	
1051	87BD	D1 FC		CMP (\$FC),Y	
1052	87BF	F0 0B		BEQ BRT	
1053	87C1	AC 52 A6	BRTT	LDY ERCNT	;INC ERCNT, DONT PASS FF
1054	87C4	C0 FF		CPY #\$FF	
1055	87C6	F0 04		BEQ *+6	
1056	87C8	C8		INY	
1057	87C9	8C 52 A6		STY ERCNT	
1058	87CC	60	BRT	RTS	
1059	87CD	C9 1D	S13B	CMP #\$1D	;SAVE KIM FMT TAPE, 3 PARMS
1060	87CF	D0 15		BNE S23B	
1061	87D1	A0 00		LDY #\$0	;MODE = KIM
1062	87D3	AD 4E A6	S13C	LDA P1L	
1063	87D6	D0 02		BNE *+4	;ID MUST NOT = 0
1064	87D8	38		SEC	
1065	87D9	60		RTS	
1066	87DA	C9 FF		CMP #\$FF	;ID MUST NOT = FF
1067	87DC	D0 02		BNE *+4	
1068	87DE	38	S1NG	SEC	
1069	87DF	60		RTS	
1070	87E0	20 93 82		JSR INCP3	;USE END ADDR + 1
1071	87E3	4C 87 8E		JMP SENTRY	
1072	87E6	C9 1E	S23B	CMP #\$1E	;SAVE HS FMT TAPE, 3 PARMS
1073	87E8	D0 04		BNE L23P	
1074	87EA	A0 80		LDY #\$80	;MODE = HS
1075	87EC	D0 E5		BNE S13C	;(ALWAYS)
1076	87EE	C9 13	L23P	CMP #\$13	;LOAD HS, 3 PARMS
1077	87F0	D0 0F		BNE MEM3	
1078	87F2	AD 4E A6		LDA P1L	
1079	87F5	C9 FF		CMP #\$FF	;ID MUST BE FF
1080	87F7	D0 E5		BNE S1NG	;ERR RETURN
1081	87F9	20 93 82		JSR INCP3	;USE END ADDR + 1
1082	87FC	A0 80		LDY #\$80	;MODE = HS
1083	87FE	4C 78 8C		JMP LENTRY	
1084	8801	C9 4D	MEM3	CMP #'M	;MEM 3 SEARCH - BYTE
1085	8803	D0 22		BNE CALC3	
1086	8805	20 9C 82		JSR P2SCR	
1087	8808	AD 4E A6	MEM3C	LDA P1L	
1088	880B	A0 00		LDY #0	
1089	880D	D1 FE		CMP (\$FE),Y	
1090	880F	F0 0B		BEQ MEM3E	;FOUND SEARCH BYTE?
1091	8811	20 B2 82	MEM3D	JSR INCCMP	;NO, INC BUFFER ADDR
1092	8814	70 04		BVS MEM3EX	;WRAP AROUND?
1093	8816	F0 F0		BEQ MEM3C	
1094	8818	90 EE		BCC MEM3C	
1095	881A	18	MEM3EX	CLC	
1096	881B	60		RTS	;SEARCHED TO BOUND
1097	881C	20 17 85	MEM3E	JSR NEWLOC	;FOUND SEARCH BYTE
1098	881F	90 05		BCC MEM3F	
1099	8821	C9 47		CMP #'G	;ENTERED G?
1100	8823	F0 EC		BEQ MEM3D	
1101	8825	38		SEC	

LINE #	LOC	CODE	LINE
1102	8826	60	MEM3F RTS
1103	8827	C9 43	CALC3 CMP #'C CLACULATE, 1, 2 OR 3 PARMS
1104	8829	D0 26	BNE EXE3 ;RESULT = P1+P2-P3
1105	882B	20 4D 83	C1 JSR CRLF
1106	882E	20 42 83	JSR SPACE
1107	8831	18	CLC
1108	8832	AD 4E A6	LDA P1L
1109	8835	6D 4C A6	ADC P2L
1110	8838	A8	TAY
1111	8839	AD 4F A6	LDA P1H
1112	883C	6D 4D A6	ADC P2H
1113	883F	AA	TAX
1114	8840	38	SEC
1115	8841	98	TYA
1116	8842	ED 4A A6	SBC P3L
1117	8845	A8	TAY
1118	8846	8A	TXA
1119	8847	ED 4B A6	SBC P3H
1120	884A	AA	TAX
1121	884B	98	TYA
1122	884C	20 F4 82	JSR OUTXAH
1123	884F	18	CLC
1124	8850	60	RTS
1125	8851	C9 45	EXE3 CMP #'E ;EXECUTE FROM RAM, 1-3 PARMS
1126	8853	D0 57	BNE E3PARAM
1127	8855		; SEE IF VECTOR ALREADY MOVED
1128	8855	AD 62 A6	LDA INVEC+2 ;INVEC MOVED TO SCRA, SCRB
1129	8858		; HI BYTE OF EXEVEC MUST BE DIFFERENT FROM INVEC
1130	8858	CD 73 A6	CMF EXEVEC+1 ;\$FA, \$FB USED AS RAM PTR
1131	885B	F0 15	BEQ PTRIN
1132	885D	8D 3B A6	STA SCRA+1 ;SAVE INVEC IN SCRA,B
1133	8860	AD 61 A6	LDA INVEC+1
1134	8863	8D 3A A6	STA SCRA
1135	8866	AD 72 A6	LDA EXEVEC ;PUT ADDR OF RIN IN INVEC
1136	8869	8D 61 A6	STA INVEC+1
1137	886C	AD 73 A6	LDA EXEVEC+1
1138	886F	8D 62 A6	STA INVEC+2
1139	8872	AD 4B A6	PTRIN LDA P3H ;INIT RAM PTR IN \$FA, \$FB
1140	8875	85 FB	STA \$FB
1141	8877	AD 4A A6	LDA P3L
1142	887A	85 FA	STA \$FA
1143	887C	18	CLC
1144	887D	60	RTS
1145	887E	20 88 81	RIN JSR SAVER ;GET INPUT FROM RAM
1146	8881	A0 00	LDY #\$0 ;RAM PTR IN \$FA, \$FB
1147	8883	B1 FA	LDA (\$FA),Y
1148	8885	F0 12	BEQ RESTIV ;IF 00 BYTE, RESTORE INVEC
1149	8887	E6 FA	INC \$FA
1150	8889	D0 02	BNE *+4
1151	888B	E6 FB	INC \$FB
1152	888D	2C 53 A6	BIT TECHO ;ECHO CHARS IN ?
1153	8890	10 03	BPL *+5
1154	8892	20 47 8A	JSR OUTCHR
1155	8895	18	CLC
1156	8896	4C B8 81	JMP RESXAF

LINE #	LOC	CODE	LINE	
1157	8899	AD 3A A6	RESTIV	LDA SCRA ;RESTORE INVEC
1158	889C	8D 61 A6		STA INVEC+1
1159	889F	AD 3B A6		LDA SCRA+1
1160	88A2	8D 62 A6		STA INVEC+2
1161	88A5	18		CLC
1162	88A6	20 1B 8A		JSR INCHR
1163	88A9	4C B8 81		JMP RESXAF
1164	88AC	6C 6D A6	E3PARM	JMP (URCVEC+1) ;... ELSE UNREC CMD
1165	88AF			; ***
1166	88AF			; *** HEX KEYBOARD I/O
1167	88AF			; ***
1168	88AF	20 88 81	GETKEY	JSR SAVER ;FIND KEY
1169	88B2	20 CF 88		JSR GK
1170	88B5	C9 FE		CMP ##FE
1171	88B7	D0 13		BNE EXITGK
1172	88B9	20 CF 88		JSR GK
1173	88BC	8A		TXA
1174	88BD	0A		ASL A
1175	88BE	0A		ASL A
1176	88BF	0A		ASL A
1177	88C0	0A		ASL A
1178	88C1	8D 3E A6		STA SCRE
1179	88C4	20 CF 88		JSR GK
1180	88C7	8A		TXA
1181	88C8	18		CLC
1182	88C9	6D 3E A6		ADC SCRE
1183	88CC	4C B8 81	EXITGK	JMP RESXAF
1184	88CF	A9 00	GK	LDA #0
1185	88D1	8D 55 A6		STA KSHFL
1186	88D4	20 03 89	GK1	JSR IJSCNV ;SCAN KB
1187	88D7	F0 FB		BEQ GK1
1188	88D9	20 2C 89		JSR LRNKEY ;WHAT KEY IS IT?
1189	88DC	F0 F6		BEQ GK1
1190	88DE	48		PHA
1191	88DF	8A		TXA
1192	88E0	48		PHA
1193	88E1	20 72 89		JSR BEEP
1194	88E4	20 23 89	GK2	JSR KEYQ
1195	88E7	D0 FB		BNE GK2 ;Z=0 IF KEY DOWN
1196	88E9	20 9B 89		JSR NOBEEP ;DELAY (DEBOUNCE) W/O BEEP
1197	88EC	20 23 89		JSR KEYQ
1198	88EF	D0 F3		BNE GK2
1199	88F1	68		PLA
1200	88F2	AA		TXA
1201	88F3	68		PLA
1202	88F4	C9 FF		CMP ##FF ;IF SHIFT, SET FLAG + GET NEXT KEY
1203	88F6	D0 07		BNE EXITG
1204	88F8	A9 19		LDA ##19
1205	88FA	8D 55 A6		STA KSHFL
1206	88FD	D0 D5		BNE GK1
1207	88FF	60	EXITG	RTS
1208	8900	20 C1 89	HDOUT	JSR OUTDSP ;CHAR OUT, SCAN KB
1209	8903	6C 70 A6	IJSCNV	JMP (SCNVEC+1)
1210	8906	A9 09	SCAND	LDA ##9 ;SCAN DISPLAY FROM DISBUF
1211	8908	20 A5 89		JSR CONFIG

LINE #	LOC	CODE	LINE		
1212	890B	A2 05		LDX #5	
1213	890D	A0 00	SC1	LDY #0	
1214	890F	BD 40 A6		LDA DISBUF,X	
1215	8912	BC 00 A4		STY PADA	
1216	8915	BE 02 A4		STX PBDA	
1217	8918	BD 00 A4		STA PADA	
1218	891B	A0 10		LDY ##10	
1219	891D	88	SC2	BEY	
1220	891E	D0 FD		BNE SC2	
1221	8920	CA		DEX	
1222	8921	10 EA		BPL SC1	
1223	8923	20 A3 89	KEYQ	JSR KSCONF	# KEY DOWN ? (YES THEN Z=0)
1224	8926	AD 00 A4		LDA PADA	
1225	8929	49 7F		EOR ##7F	
1226	892B	60		RTS	
1227	892C	29 3F	LRNKEY	AND ##3F	#DETERMINE WHAT KEY IS DOWN
1228	892E	BD 3F A6		STA SCRF	
1229	8931	A9 05		LDA ##05	
1230	8933	20 A5 89		JSR CONFIG	
1231	8936	AD 02 A4		LDA PBDA	
1232	8939	29 07		AND ##07	
1233	893B	49 07		EOR ##07	
1234	893D	D0 05		BNE LK1	
1235	893F	2C 00 A4		BIT PADA	
1236	8942	30 1A		BMI NOKEY	
1237	8944	C9 04	LK1	CMP ##04	
1238	8946	90 02		BCC LK2	
1239	8948	A9 03		LDA ##03	
1240	894A	0A	LK2	ASL A	
1241	894B	0A		ASL A	
1242	894C	0A		ASL A	
1243	894D	0A		ASL A	
1244	894E	0A		ASL A	
1245	894F	0A		ASL A	
1246	8950	18		CLC	
1247	8951	6D 3F A6		ADC SCRF	
1248	8954	A2 19		LDX ##19	
1249	8956	DD D6 8B	LK3	CMP SYM,X	
1250	8959	F0 05		BEQ FOUND	
1251	895B	CA		DEX	
1252	895C	10 F8		BPL LK3	
1253	895E	E8	NOKEY	INX	
1254	895F	60		RTS	
1255	8960	8A	FOUND	TXA	
1256	8961	18		CLC	
1257	8962	6D 55 A6		ADC KSHFL	
1258	8965	AA		TAX	
1259	8966	BD EF 8B		LDA ASCII,X	
1260	8969	60		RTS	
1261	896A	20 23 89	KYSTAT	JSR KEYQ	#KEY DOWN? RETURN IN CARRY
1262	896D	18		CLC	
1263	896E	F0 01		BEQ *+3	
1264	8970	38		SEC	
1265	8971	60		RTS	
1266	8972	20 88 81	BEEP	JSR SAVER	#DELAY (BOUNCE) W/BEEP

LINE #	LOC	CODE	LINE	
1267	8975	A9 0D	BEEPP3	LDA ##0D
1268	8977	20 A5 89	BEEPP5	JSR CONFIG
1269	897A	A2 40		LDX ##40 ;DURATION CONSTANT
1270	897C	A9 08	BE1	LDA #8
1271	897E	8D 02 A4		STA PBDA
1272	8981	20 95 89		JSR BE2
1273	8984	A9 06		LDA #6
1274	8986	8D 02 A4		STA PBDA
1275	8989	20 95 89		JSR BE2
1276	898C	CA		DEX
1277	898D	D0 ED		BNE BE1
1278	898F	20 A3 89		JSR KSCONF
1279	8992	4C C4 81		JMP RESALL
1280	8995	A0 28	BE2	LDY ##28
1281	8997	88	BE3	DEY
1282	8998	D0 FD		BNE BE3
1283	899A	60		RTS
1284	899B	20 88 81	NOBEEP	JSR SAVER ;DELAY W/O BEEP
1285	899E	A9 01		LDA ##01
1286	89A0	4C 77 89		JMP BEEPP5
1287	89A3	A9 01	KSCONF	LDA ##1 ;CONFIGURE FOR KEYBOARD
1288	89A5	20 88 81	CONFIG	JSR SAVER ;CONFIGURE I/O FROM TABLE VAL
1289	89A8	A0 01		LDY ##01
1290	89AA	AA		TAX
1291	89AB	8D C8 8B	CON1	LDA VALSP2,X
1292	89AE	99 02 A4		STA PBDA,Y
1293	89B1	8D C6 8B		LDA VALS,X
1294	89B4	99 00 A4		STA PADA,Y
1295	89B7	CA		DEX
1296	89B8	88		DEY
1297	89B9	10 F0		BPL CON1
1298	89BB	4C C4 81		JMP RESALL
1299	89BE	20 AF 88	HKEY	JSR GETKEY ;GET KEY FROM KB AND ECHO ON KB
1300	89C1	20 88 81	OUTDSP	JSR SAVER ;DISPLAY OUT
1301	89C4	29 7F		AND ##7F
1302	89C6	C9 07		CMP ##07
1303	89C8	D0 03		BNE NBELL
1304	89CA	4C 75 89		JMP BEEPP3
1305	89CD	20 06 8A	NBELL	JSR TEXT ;PUSH INTO SCOPE BUFFER
1306	89D0	C9 2C		CMP ##2C ;SINGLE QUOTE?
1307	89D2	D0 0A		BNE OUD1
1308	89D4	AD 45 A6		LDA RDIG
1309	89D7	09 80		ORA ##80
1310	89D9	8D 45 A6		STA RDIG
1311	89DC	D0 25		BNE EXITOD
1312	89DE	A2 3A	OUD1	LDX ##3A
1313	89E0	DD EE 8B	OUD2	CMP ASCIM1,X
1314	89E3	F0 05		BEQ GETSGS
1315	89E5	CA		DEX
1316	89E6	D0 F8		BNE OUD2
1317	89E8	F0 19		BEQ EXITOD
1318	89EA	8D 28 8C	GETSGS	LDA SEGSM1,X ;GET CORR SEG CODE FROM TABLE
1319	89ED	C9 F0		CMP ##F0
1320	89EF	F0 12		BEQ EXITOD
1321	89F1	A2 00		LDX #0

LINE #	LOC	CODE	LINE	
1322	89F3	48	PHA	
1323	89F4	BD 41 A6	OUTD3 LDA DISBUF+1,X	;SHOVE DOWN DISPLAY BUFFER
1324	89F7	9D 40 A6	STA DISBUF,X	
1325	89FA	E8	INX	
1326	89FB	E0 05	CPX #5	
1327	89FD	D0 F5	BNE OUTD3	
1328	89FF	68	PLA	
1329	8A00	8D 45 A6	STA RDIG	
1330	8A03	4C C4 81	EXITOD JMP RESALL	
1331	8A06	48	TEXT PHA	;UPDATE SCOPE BUFFER
1332	8A07	8A	TXA	
1333	8A08	48	PHA	
1334	8A09	A2 1E	LDX ##1E	
1335	8A0B	BD 00 A6	TXTMOV LDA SCPBUF,X	
1336	8A0E	9D 01 A6	STA SCPBUF+1,X	
1337	8A11	CA	DEX	
1338	8A12	10 F7	BPL TXTMOV	
1339	8A14	68	PLA	
1340	8A15	AA	TAX	
1341	8A16	68	PLA	
1342	8A17	8D 00 A6	STA SCPBUF	
1343	8A1A	60	RTS	
1344	8A1B		;	
1345	8A1B		;***	
1346	8A1B		;*** TERMINAL I/O	
1347	8A1B		;***	
1348	8A1B	20 88 81	INCHR JSR SAVER	;INPUT CHAR
1349	8A1E	20 41 8A	JSR INJINV	
1350	8A21	29 7F	AND ##7F	
1351	8A23	C9 61	CMP ##61	
1352	8A25	90 06	BCC INRT1	
1353	8A27	C9 7B	CMP ##7B	
1354	8A29	B0 02	BCS INRT1	
1355	8A2B	29 DF	AND ##DF	
1356	8A2D	C9 0F	INRT1 CMP ##0F	;CTL 0 ?
1357	8A2F	D0 0B	BNE INRT2	
1358	8A31	AD 53 A6	LDA TECHO	
1359	8A34	49 40	EOR ##40	;TOGGLE CTL 0 BIT
1360	8A36	8D 53 A6	STA TECHO	
1361	8A39	18	CLC	
1362	8A3A	90 E2	BCC INCHR+3	;GO GET ANOTHER CHAR
1363	8A3C	C9 0D	INRT2 CMP ##0D	;CARRIAGE RETURN?
1364	8A3E	4C B8 81	JMP RESXAF	
1365	8A41	6C 61 A6	INJINV JMP (INVEC+1)	
1366	8A44	20 09 83	NBASOC JSR NIBASC	
1367	8A47	20 88 81	OUTCHR JSR SAVER	
1368	8A4A	2C 53 A6	BIT TECHO	;LOOK AT CTL 0 FLAG
1369	8A4D	70 03	BVS *+5	
1370	8A4F	20 55 8A	JSR INJOUV	
1371	8A52	4C C4 81	JMP RESALL	
1372	8A55	6C 64 A6	INJOUV JMP (OUTVEC+1)	
1373	8A58	20 88 81	INTCHR JSR SAVER	;IN TERMINAL CHAR
1374	8A5B	A9 00	LDA #0	
1375	8A5D	85 F9	STA #F9	
1376	8A5F	AD 02 A4	LOOK LDA PBDA	;FIND LEADING EDGE

LINE #	LOC	CODE	LINE	
1377	8A62	2D 54 A6		AND TOUTFL
1378	8A65	38		SEC
1379	8A66	E9 40		SBC ##40
1380	8A68	90 F5		BCC LOOK
1381	8A6A	2D E9 8A	TIN	JSR DLYH ;TERMINAL BIT
1382	8A6D	AD 02 A4		LDA PBDA
1383	8A70	2D 54 A6		AND TOUTFL
1384	8A73	38		SEC
1385	8A74	E9 40		SBC ##40 ;OR BITS 6,7 (TTY,CRT)
1386	8A76	2C 53 A6		BIT TECHO ;ECHO BIT?
1387	8A79	10 06		BPL DMY1
1388	8A7B	2D D4 8A		JSR OUT
1389	8A7E	4C 87 8A		JMP SAVE
1390	8A81	A0 07	DMY1	LDY #7
1391	8A83	88	TLP1	DEY
1392	8A84	D0 FD		BNE TLP1
1393	8A86	EA		NOP
1394	8A87	66 F9	SAVE	ROR \$F9
1395	8A89	20 E9 8A		JSR DLYH
1396	8ABC	48		PHA ;TIMING
1397	8ABD	B5 00		LDA 0,X
1398	8ABF	68		PLA
1399	8A90	90 D8		BCC TIN
1400	8A92	20 E9 8A		JSR DLYH
1401	8A95	18		CLC
1402	8A96	20 D4 8A		JSR OUT
1403	8A99	A5 F9		LDA \$F9
1404	8A9B	49 FF		EOR ##FF
1405	8A9D	4C B8 81		JMP RESXAF
1406	8AA0	85 F9	TOUT	STA \$F9 ;TERMINAL CHR OUT
1407	8AA2	20 88 81		JSR SAVER
1408	8AA5	20 E9 8A		JSR DLYH
1409	8AAB	A9 30		LDA ##30
1410	8AAA	8D 03 A4		STA PBDA+1
1411	8AAD	A5 F9		LDA \$F9
1412	8AAF	A2 0B		LDX ##0B
1413	8AB1	49 FF		EOR ##FF
1414	8AB3	38		SEC
1415	8AB4	20 D4 8A	OUTC	JSR OUT
1416	8AB7	20 E6 8A		JSR DLYF
1417	8ABA	A0 06		LDY ##06
1418	8ABC	88	PHAKE	DEY
1419	8ABD	D0 FD		BNE PHAKE
1420	8ABF	EA		NOP
1421	8AC0	4A		LSR A
1422	8AC1	CA		DEX
1423	8AC2	D0 F0		BNE OUTC
1424	8AC4	A5 F9		LDA \$F9
1425	8AC6	C9 0D		CMP ##0D
1426	8AC8	F0 04		BEQ GOFAD
1427	8ACA	C9 0A		CMP ##0A
1428	8ACC	D0 03		BNE LEAVE
1429	8ACE	20 32 8B	GOFAD	JSR PAD
1430	8AD1	4C C4 81	LEAVE	JMP RESALL
1431	8AD4	48	OUT	PHA ;TERMINAL BIT OUT

LINE #	LOC	CODE	LINE
1432	8AI5	AD 02 A4	LDA PBDA
1433	8AD8	29 0F	AND #*0F
1434	8ADA	90 02	BCC OUTONE
1435	8ADC	09 30	ORA #*30
1436	8ADE	2D 54 A6	OUTONE AND TOUTFL ;MASK OUTPUT
1437	8AE1	8D 02 A4	STA PBDA
1438	8AE4	68	PLA
1439	8AE5	60	RTS
1440	8AE6		;
1441	8AE6	20 E9 8A	DLYF JSR DLYH ;DELAY FULL
1442	8AE9	08	DLYH PHP ;DELAY HALF
1443	8AEA	48	PHA
1444	8AEB	8A	TXA
1445	8AEC	48	PHA
1446	8AED	98	TYA
1447	8AEE	AE 51 A6	LDX SDBYT
1448	8AF1	A0 03	DLYX LDY #3
1449	8AF3	88	DLYY DEY
1450	8AF4	D0 FD	BNE DLYY
1451	8AF6	CA	DEX
1452	8AF7	D0 F8	BNE DLYX
1453	8AF9	A8	TAY
1454	8AFA	68	PLA
1455	8AFB	AA	TAX
1456	8AFC	68	PLA
1457	8AFD	28	PLP
1458	8AFE	60	RTS
1459	8AFF	A9 00	BAUD LDA #0 ;DETERMINE BAUD RATE ON PB7
1460	8B01	A8	TAY
1461	8B02	AD 02 A4	SEEK LDA PBDA
1462	8B05	0A	ASL A
1463	8B06	B0 FA	BCS SEEK
1464	8B08	20 27 8B	CLEAR JSR INK
1465	8B0B	90 FB	BCC CLEAR
1466	8B0D	20 27 8B	SET JSR INK
1467	8B10	B0 FB	BCS SET
1468	8B12	8C 51 A6	STY SDBYT
1469	8B15	BD 63 8C	DEAF LDA DECPTS,X
1470	8B18	CD 51 A6	CMF SDBYT
1471	8B1B	B0 07	BCS AGAIN
1472	8B1D	BD 69 8C	LDA STDVAL,X ;LOAD CLOSEST STD VALUE
1473	8B20	8D 51 A6	STA SDBYT
1474	8B23	60	RTS
1475	8B24	E8	AGAIN INX
1476	8B25	10 EE	BPL DEAF
1477	8B27	C8	INK INY
1478	8B28	A2 1C	LDX #*1C
1479	8B2A	CA	INK1 DEX
1480	8B2B	D0 FD	BNE INK1
1481	8B2D	AD 02 A4	LDA PBDA
1482	8B30	0A	ASL A
1483	8B31	60	RTS
1484	8B32	AE 50 A6	PAD LDX PADBIT ;PAD CARRIAGE RETURN
1485	8B35	20 E6 8A	PAD1 JSR DLYF
1486	8B38	CA	DEX

LINE #	LOC	CODE	LINE		
1487	8B39	D0 FA		BNE	PAD1
1488	8B3E	60		RTS	
1489	8B3C	20 A3 89	TSTAT	JSR	KSCONF ;SEE IF BREAK KEY DOWN
1490	8B3F	2C 02 A4		BIT	PBDA
1491	8B42	18		CLC	
1492	8B43	10 01		BPL	*+3
1493	8B45	38		SEC	
1494	8B46	60		RTS	
1495	8B47	20 0F 87		JSR	DIFF1
1496	8B4A			;	***
1497	8B4A			;	*** RESET - TURN OFF POR, INIT SYS RAM, ENTER MONITOR
1498	8B4A			;	***
1499	8B4A			;	
1500	8B4A	A2 FF	RESET	LDX	#\$FF
1501	8B4C	9A		TXS	;INIT STACK PTR
1502	8B4D	A9 CC	POR	LDA	#\$CC
1503	8B4F	8D 0C A0		STA	PCR1 ;DISABLE POR, TAPE OFF
1504	8B52	A9 04		LDA	#4
1505	8B54	48		PHA	
1506	8B55	28		PLP	;INIT F, DISABLE IRQ DURING DFTXFR
1507	8B56	20 86 8B		JSR	ACCESS ;UN WRITE PROT SYS RAM
1508	8B59	A2 5F	DFTXFR	LDX	#\$5F ;INIT SYS RAM (EXCPT SCPBUF)
1509	8B5B	BD A0 8F		LDA	DFTBLK,X
1510	8B5E	9D 20 A6		STA	RAM,X
1511	8B61	CA		DEX	
1512	8B62	10 F7		BPL	DFTXFR+2
1513	8B64	A9 07	NEWDEV	LDA	#7 ;CHANGE DEVC/BAUD RATE
1514	8B66	20 47 8A		JSR	OUTCHR ;BEEP
1515	8B69	20 A3 89	SWITCH	JSR	KSCONF ;KEYBOARD OR TERMINAL?
1516	8B6C	20 26 89	SWLP	JSR	KEYQ+3
1517	8B6F	D0 0B		BNE	MONENT
1518	8B71	2C 02 A4		BIT	PBDA
1519	8B74	10 F6		BPL	SWLP
1520	8B76	20 B7 8B		JSR	VECSW ;SWITCH VECTORS
1521	8B79	20 FF 8A		JSR	BAUD
1522	8B7C	A2 FF	MONENT	LDX	#\$FF ;MONITOR ENTRY
1523	8B7E	9A		TXS	
1524	8B7F	D8		CLD	
1525	8B80	20 86 8B		JSR	ACCESS ;UNWRITE PROT MONITOR RAM
1526	8B83	4C 03 80		JMP	WARM
1527	8B86	20 88 81	ACCESS	JSR	SAVER ;UN WRITE PROT SYS RAM
1528	8B89	AD 01 AC		LDA	OR3A
1529	8B8C	09 01		ORA	#1
1530	8B8E	8D 01 AC	ACC1	STA	OR3A
1531	8B91	AD 03 AC		LDA	DDR3A
1532	8B94	09 01		ORA	#1
1533	8B96	8D 03 AC		STA	DDR3A
1534	8B99	4C C4 81		JMP	RESALL
1535	8B9C	20 88 81	NACCESS	JSR	SAVER ;WRITE PROT SYS RAM
1536	8B9F	AD 01 AC		LDA	OR3A
1537	8BA2	29 FE		AND	#\$FE
1538	8BA4	18		CLC	
1539	8BA5	90 E7		BCC	ACC1
1540	8BA7	20 86 8B	TTY	JSR	ACCESS ;UN WRITE PROT RAM
1541	8BAA	A9 D5		LDA	#\$D5 ;110 BAUD

LINE #	LOC	CODE	LINE
1542	8BAC	8D 51 A6	STA SDBYT
1543	8BAF	AD 54 A6	LDA TOUTFL
1544	8BB2	09 40	ORA #\$40
1545	8BB4	8D 54 A6	STA TOUTFL
1546	8BK7	20 86 8B	VECSW JSR ACCESS ;UN WRITE PROT RAM
1547	8BBA	A2 08	LDX #\$8
1548	8BBC	BD 6F 8C	SWLP2 LDA TRMTBL,X
1549	8BBF	9D 60 A6	STA INVEC,X
1550	8BC2	CA	DEX
1551	8BC3	10 F7	BPL SWLP2
1552	8BC5	60	RTS
1553	8BC6		;
1554	8BC6		***
1555	8BC6		*** TABLES (I/O CONFIGURATIONS, KEY CODES, ASCII CODES)
1556	8BC6		***
1557	8BC6	00	VALS .BYT \$00,\$80,\$08,\$37 ;KB SENSE, A=1
1557	8BC7	80	
1557	8BC8	08	
1557	8BC9	37	
1558	8BCA	00	.BYT \$00,\$7F,\$00,\$30 ;KB LRN, A=5
1558	8BCB	7F	
1558	8BCC	00	
1558	8BCD	30	
1559	8BCE	00	.BYT \$00,\$FF,\$00,\$3F ;SCAN DSP, A=9
1559	8BCF	FF	
1559	8BD0	00	
1559	8BD1	3F	
1560	8BD2	00	.BYT \$00,\$00,\$07,\$3F ;BEEP, A=D
1560	8BD3	00	
1560	8BD4	07	
1560	8BD5	3F	
1561	8BD6		VALSP2 =VALS+2
1562	8BD6		SYM =* ;KEY CODES RETURNED BY LRNKEY
1563	8BD6		TABLE=*
1564	8BD6	01	.BYT \$01 ;0/U0
1565	8BD7	41	.BYT \$41 ;1/U1
1566	8BD8	81	.BYT \$81 ;2/U2
1567	8BD9	C1	.BYT \$C1 ;3/U3
1568	8BDA	02	.BYT \$02 ;4/U4
1569	8BDB	42	.BYT \$42 ;5/U5
1570	8BDC	82	.BYT \$82 ;6/U6
1571	8BDD	C2	.BYT \$C2 ;7/U7
1572	8BDE	04	.BYT \$04 ;8/JMP
1573	8BDF	44	.BYT \$44 ;9/VER
1574	8BE0	84	.BYT \$84 ;A/ASCII
1575	8BE1	C4	.BYT \$C4 ;B/BLK MOV
1576	8BE2	08	.BYT \$08 ;C/CALC
1577	8BE3	48	.BYT \$48 ;D/DEP
1578	8BE4	88	.BYT \$88 ;E/EXEC
1579	8BE5	C8	.BYT \$C8 ;F/FILL
1580	8BE6	10	.BYT \$10 ;CR/SD
1581	8BE7	50	.BYT \$50 ;-/+
1582	8BE8	90	.BYT \$90 ;>/<
1583	8BE9	D0	.BYT \$D0 ;SHIFT
1584	8BEA	20	.BYT \$20 ;GO/LP

LINE #	LOC	CODE	LINE		
1585	8BEB	60		.BYT \$60	#REG/SP
1586	8BEC	A0		.BYT \$A0	#MEM/WP
1587	8BED	00		.BYT \$00	#L2/L1
1588	8BEE	40		.BYT \$40	#S2/S1
1589	8BEF		ASCIM1	==*-1	
1590	8BEF		ASCII	==*	#ASCII CODES AND HASH CODES
1591	8BEF	30		.BYT \$30	#ZERO
1592	8BF0	31		.BYT \$31	#ONE
1593	8BF1	32		.BYT \$32	#TWO
1594	8BF2	33		.BYT \$33	#THREE
1595	8BF3	34		.BYT \$34	#FOUR
1596	8BF4	35		.BYT \$35	#FIVE
1597	8BF5	36		.BYT \$36	#SIX
1598	8BF6	37		.BYT \$37	#SEVEN
1599	8BF7	38		.BYT \$38	#EIGHT
1600	8BF8	39		.BYT \$39	#NINE
1601	8BF9	41		.BYT \$41	#A
1602	8BFA	42		.BYT \$42	#B
1603	8BFB	43		.BYT \$43	#C
1604	8BFC	44		.BYT \$44	#D
1605	8BFD	45		.BYT \$45	#E
1606	8BFE	46		.BYT \$46	#F
1607	8BFF	0D		.BYT \$0D	#CR
1608	8C00	2D		.BYT \$2D	#DASH
1609	8C01	3E		.BYT \$3E	#>
1610	8C02	FF		.BYT \$FF	#SHIFT
1611	8C03	47		.BYT \$47	#G
1612	8C04	52		.BYT \$52	#R
1613	8C05	4D		.BYT \$4D	#M
1614	8C06	13		.BYT \$13	#L2
1615	8C07	1E		.BYT \$1E	#S2
1616	8C08		# KB	UPPER CASE	
1617	8C08	14		.BYT \$14	#U0
1618	8C09	15		.BYT \$15	#U1
1619	8C0A	16		.BYT \$16	#U2
1620	8C0B	17		.BYT \$17	#U3
1621	8C0C	18		.BYT \$18	#U4
1622	8C0D	19		.BYT \$19	#U5
1623	8C0E	1A		.BYT \$1A	#U6
1624	8C0F	1B		.BYT \$1B	#U7
1625	8C10	4A		.BYT \$4A	#J
1626	8C11	56		.BYT \$56	#V
1627	8C12	FE		.BYT \$FE	#ASCII
1628	8C13	42		.BYT \$42	#B
1629	8C14	43		.BYT \$43	#C
1630	8C15	44		.BYT \$44	#D
1631	8C16	45		.BYT \$45	#E
1632	8C17	46		.BYT \$46	#F
1633	8C18	10		.BYT \$10	#SD
1634	8C19	2B		.BYT \$2B	#+
1635	8C1A	3C		.BYT \$3C	#<
1636	8C1B	00		.BYT \$00	#SHIFT
1637	8C1C	11		.BYT \$11	#LF
1638	8C1D	1C		.BYT \$1C	#SP
1639	8C1E	57		.BYT \$57	#W

LINE #	LOC	CODE	LINE	
1640	8C1F	12	.BYT \$12	‡L1
1641	8C20	1D	.BYT \$1D	‡S1
1642	8C21	2E	.BYT \$2E	‡.
1643	8C22	20	.BYT \$20	‡BLANK
1644	8C23	3F	.BYT \$3F	‡?
1645	8C24	50	.BYT \$50	‡P
1646	8C25	07	.BYT \$07	‡BELL
1647	8C26	63	.BYT \$63	‡SMALL C
1648	8C27	2F	.BYT \$2F	‡/
1649	8C28	2A	.BYT \$2A	‡*
1650	8C29		‡ SEGMENT CODES FOR ON-BOARD DISPLAY	
1651	8C29		SEGSM1 =*-1	
1652	8C29	3F	.BYT \$3F	‡ZERO
1653	8C2A	06	.BYT \$06	‡ONE
1654	8C2B	5B	.BYT \$5B	‡TWO
1655	8C2C	4F	.BYT \$4F	‡THREE
1656	8C2D	66	.BYT \$66	‡FOUR
1657	8C2E	6D	.BYT \$6D	‡FIVE
1658	8C2F	7D	.BYT \$7D	‡SIX
1659	8C30	07	.BYT \$07	‡SEVEN
1660	8C31	7F	.BYT \$7F	‡EIGHT
1661	8C32	67	.BYT \$67	‡NINE
1662	8C33	77	.BYT \$77	‡A
1663	8C34	7C	.BYT \$7C	‡B
1664	8C35	39	.BYT \$39	‡C
1665	8C36	5E	.BYT \$5E	‡D
1666	8C37	79	.BYT \$79	‡E
1667	8C38	71	.BYT \$71	‡F
1668	8C39	F0	.BYT \$F0	‡CR
1669	8C3A	40	.BYT \$40	‡DASH
1670	8C3B	70	.BYT \$70	‡>
1671	8C3C	00	.BYT \$00	‡SHIFT
1672	8C3D	6F	.BYT \$6F	‡G
1673	8C3E	50	.BYT \$50	‡R
1674	8C3F	54	.BYT \$54	‡M
1675	8C40	38	.BYT \$38	‡L2
1676	8C41	6D	.BYT \$6D	‡S2
1677	8C42	01	.BYT \$01	‡U0
1678	8C43	08	.BYT \$08	‡U1
1679	8C44	09	.BYT \$09	‡U2
1680	8C45	30	.BYT \$30	‡U3
1681	8C46	36	.BYT \$36	‡U4
1682	8C47	5C	.BYT \$5C	‡U5
1683	8C48	63	.BYT \$63	‡U6
1684	8C49	03	.BYT \$03	‡U7
1685	8C4A	1E	.BYT \$1E	‡J
1686	8C4B	72	.BYT \$72	‡V
1687	8C4C	77	.BYT \$77	‡A
1688	8C4D	7C	.BYT \$7C	‡B
1689	8C4E	39	.BYT \$39	‡C
1690	8C4F	5E	.BYT \$5E	‡D
1691	8C50	79	.BYT \$79	‡E
1692	8C51	71	.BYT \$71	‡F
1693	8C52	6D	.BYT \$6D	‡SD
1694	8C53	76	.BYT \$76	‡+

LINE #	LOC	CODE	LINE
1695	8C54	46	.BYT \$46 ;<
1696	8C55	00	.BYT \$00 ;SHIFT
1697	8C56	38	.BYT \$38 ;LP
1698	8C57	6D	.BYT \$6D ;SP
1699	8C58	1C	.BYT \$1C ;W
1700	8C59	38	.BYT \$38 ;L1
1701	8C5A	6D	.BYT \$6D ;S1
1702	8C5B	80	.BYT \$80 ;.
1703	8C5C	00	.BYT \$00 ;SPACE
1704	8C5D	53	.BYT \$53 ;?
1705	8C5E	73	.BYT \$73 ;F
1706	8C5F	49	.BYT \$49 ;BELL
1707	8C60	5C	.BYT \$5C ;SMALL C
1708	8C61	52	.BYT \$52 ;/
1709	8C62	63	.BYT \$63 ;
1710	8C63	97	DECPTS .BYT \$97,\$3D,\$1F,\$10,\$08,\$00 ; TO DETERMINE BAUD I
1710	8C64	3D	
1710	8C65	1F	
1710	8C66	10	
1710	8C67	08	
1710	8C68	00	
1711	8C69	D5 4C	STDVAL .DBY \$D54C,\$2410,\$0601 ;STD VALS FOR BAUD RATES
1711	8C6B	24 10	
1711	8C6D	06 01	
1712	8C6F		; 110,300,600,1200,2400,4800 BAUD
1713	8C6F	4C 58 8A	TRMTBL JMP INTCHR ;ALTERNATE VCTRS FOR T10
1714	8C72	4C A0 8A	JMP TOUT
1715	8C75	4C 3C 8B	JMP TSTAT
1716	8C78		LENTRY =* ;LINK TO AUDIO CASSETTE
1717	8C78		SENTRY =*+\$20F
1718	8C78		;***
1719	8C78		;*** DEFAULT TABLE
1720	8C78		;***
1721	8C78		*=\$8FA0
1722	8FA0		DFTBLK=*
1723	8FA0	00 C0	.WORD \$C000 ;BASIC *** JUMP TABLE
1724	8FA2	A7 8B	.WORD TTY
1725	8FA4	64 8B	.WORD NEWDEV
1726	8FA6	00 00	.WORD \$0000 ;PAGE ZERO
1727	8FA8	00 02	.WORD \$0200
1728	8FAA	00 03	.WORD \$0300
1729	8FAC	00 C8	.WORD \$C800
1730	8FAE	00 D0	.WORD \$D000
1731	8FB0	00 00	.DBY \$0000,\$0000,\$0000,\$0000 ;SCR0 - SCR7
1731	8FB2	00 00	
1731	8FB4	00 00	
1731	8FB6	00 00	
1732	8FB8	00 00	.DBY \$0000,\$0000,\$0000,\$0000 ;SCR8 - SCRF
1732	8FBA	00 00	
1732	8FBC	00 00	
1732	8FBE	00 00	
1733	8FC0	00	.BYT \$00,\$00,\$6D,\$6E,\$86,\$3F ;DISP BUFFER (SY1.0)
1733	8FC1	00	
1733	8FC2	6D	
1733	8FC3	6E	

LINE #	LOC	CODE	LINE
1733	8FC4	86	
1733	8FC5	3F	
1734	8FC6	00	.BYT \$00,\$00,\$00 ;NOT USED
1734	8FC7	00	
1734	8FC8	00	
1735	8FC9	00	.BYT \$00 ;FARNR
1736	8FCA	00 00	.DBYT \$0000,\$0000,\$0000 ;PARMS
1736	8FCC	00 00	
1736	8FCE	00 00	
1737	8FD0	01	.BYT \$01 ;FADBIT
1738	8FD1	4C	.BYT \$4C ;SDBYT
1739	8FD2	00	.BYT \$00 ;ERCNT
1740	8FD3	80	.BYT \$80 ;TECHO
1741	8FD4	B0	.BYT \$B0 ;TOUTFL
1742	8FD5	00	.BYT \$00 ;KSHFL
1743	8FD6	00	.BYT \$00 ;TV
1744	8FD7	00	.BYT \$00 ;LSTCOM
1745	8FD8	10	.BYT \$10 ;MAXRC
1746	8FD9	4A 8B	.WORD RESET ;USER REG'S
1747	8FDB	FF	.BYT \$FF ;STACK
1748	8FDC	00	.BYT \$00 ;FLAGS
1749	8FDD	00	.BYT \$00 ;A
1750	8FDE	00	.BYT \$00 ;X
1751	8FDF	00	.BYT \$00 ;Y
1752	8FE0		; VECTORS
1753	8FE0	4C BE 89	JMP HKEY ;INVEC
1754	8FE3	4C 00 89	JMP HDOUT ;OUTVEC
1755	8FE6	4C 6A 89	JMP KYSTAT ;INSVEC
1756	8FE9	00	.BYT \$00,\$00,\$00 ;NOT USED
1756	8FEA	00	
1756	8FEB	00	
1757	8FEC	4C D1 81	JMP M1 ;UNRECOGNIZED CHAR (ERR RTN)
1758	8FEF	4C 06 89	JMP SCAND ;SCNVEC
1759	8FF2	7E 88	.WORD RIN ;IN PTR FOR EXEC FROM RAM
1760	8FF4	C0 80	.WORD TRCOFF ;USER TRACE VECTOR
1761	8FF6	4A 80	.WORD SVBRK ;BRK
1762	8FF8	29 80	.WORD SVIRQ ;USER IRQ
1763	8FFA	9B 80	.WORD SUNMI ;NMI
1764	8FFC	4A 8B	.WORD RESET ;RESET
1765	8FFE	0F 80	.WORD IRQBRK ;IRQ
1766	9000		.END

ERRORS = 0000 <0000>

SYMBOL	VALUE	LINE	DEFINED	CROSS-REFERENCES					
L2ZB	84CF	694	691						
L21B	85EF	837	827						
L23P	87EE	1076	1073						
MAXRC	A658	51	927	929					
MEMZ	84AE	680	678						
MEM1	8510	728	704						
MEM2	862F	873	863						
MEM3	8801	1084	1077						
MEM3C	8808	1087	877	1093	1094				
MEM3D	8811	1091	1100						
MEM3E	881C	1097	1090						
MEM3EX	881A	1095	1092						
MEM3F	8826	1102	1098						
MONENT	8B7C	1522	97	1517					
MONITR	8000	97	****						
MORED	8454	643	656						
MORED2	86D2	941	949						
M1	81D1	339	337	1757					
M12	8159	262	260						
M13	8160	265	263						
M14	8167	268	266						
M15	81B7	314	275						
M21	8239	387	384						
M22	824A	394	386						
M23	8251	397	400						
M24	8267	406	393	395					
M25	826F	409	407						
M26	8289	422	415	417					
M27	828D	425	419						
M28	828F	426	421						
M29	8292	428	413						
M32	82C8	454	450						
M33	82EB	470	468						
M34	83C8	583	577						
M35	83CA	584	597	600					
M36	83EB	598	595						
M42	8566	770	768						
M43	8574	778	776						
NACCES	8B9C	1535	605	785	813				
NBASOC	8A44	1366	485	487	591				
NBELL	89CD	1305	1303						
NEWDEV	8B64	1513	1725						
NEWLN	84E1	706	679	719					
NEWLOC	8517	731	682	744	748	763	771	779	1097
NH3	83BF	578	570	573					
NH41	8501	720	711						
NH42	8537	745	736						
NIBALF	8313	495	492						
NIBASC	8309	490	1366						
NMIVEC	A67A	80	****						
NOBEEP	899B	1284	1196						
NOKEY	895E	1253	1236						
NOTCR	83C3	581	578						
NR10	8408	611	795	825					
NUREC	8443	636	631						
NXTLOC	8531	742	740	750	752				
NXTRG	83D2	588	****						

SYMBOL	VALUE	LINE	DEFINED	CROSS-REFERENCES					
SWLP2	8BBC	1548	1551						
SYM	8BD6	1562	1249						
S1NG	87DE	1068	1080						
S13B	87CD	1059	993						
S13C	87D3	1062	1075						
S23B	87E6	1072	1060						
TABLE	8BD4	1563	****						
TAPERR	848E	667	630	638	644	658	662	665	
TECHO	A653	45	1152	1358	1360	1368	1386		
TEXT	8A06	1331	1305						
TIN	8A6A	1381	1399						
TLP1	8A83	1391	1392						
TOUT	8AA0	1406	1714						
TOUTFL	A654	47	1377	1383	1436	1543	1545		
TRACON	80CD	196	189						
TRCOFF	80C0	191	1760						
TRCVEC	A674	75	195						
TRMTBL	8C6F	1713	1548						
TSTAT	8B3C	1489	1715						
TTY	8BA7	1540	1724						
TV	A656	49	181	528					
TVNZ	80AF	185	182						
TXTM0V	8A0B	1335	1338						
UBRKV	A676	77	****						
UBRKVC	A676	76	77						
UIRQV	A678	79	****						
UIRQVC	A678	78	79						
URCVEC	A66C	69	271	698	1164				
USRENT	8035	128	****						
VADDR	8646	882	897						
VALS	8BC6	1557	1293	1561					
VALSP2	8BC8	1561	1291						
VECSW	8BB7	1546	1520						
VERZ	84B5	683	681						
VER1	8596	796	689	783					
VER2	863C	878	807	874					
VOCK	8664	895	****						
V1	866D	899	890	892	903				
V2	864B	884	894						
WARM	8003	98	101	151	190	1526			
WFR1B	85F7	841	838						
WRAP	82B8	446	452						
XR	A65E	60	153	615					
YR	A65F	61	154	614					
ZERCK	832E	506	625	881	957				

```

LINE # LOC      CODE      LINE
0002 0000          § AUDIO CASSETTE INTERFACE
0003 0000          §*****
0004 0000          §***** COPYRIGHT 1978 SYNERTEK SYSTEMS CORPORATION
0005 0000          §*****
0006 0000          §
0007 0000          §VARIABLES
0008 0000          §
0009 0000          OLD      = $F9          §REMEMBER PREV INPUT LEVEL IN LOAD
0010 0000          CHAR     = $FC          §CHAR ASSY AND DISASSY
0011 0000          MODE    = $FD          §BIT7=1 IS HS, 0 IS KIM
0012 0000          §
0013 0000          §          ... BIT6=1 IS HS REC W/WRONG ID BEING READ
0014 0000          §          ... OR NOT YET IN SYNC (NO FRAME ERR)
0015 0000          BUFADL  = $FE          §RUNNING BUFFER ADR
0016 0000          BUFADH  = $FF
0017 0000          CHKL    = $A636        §SCR 6
0018 0000          CHKH    = $A637        §SCR 7
0019 0000          TEMP1   = $A638        §SCR 8
0020 0000          TEMP2   = $A639        §SCR 9
0021 0000          § PARAMETER AREA
0022 A64A          * = $A64A
0023 A64B          P3L     * = * + 1      §END ADDR +1 (LO)
0024 A64C          P3H     * = * + 1      § (HI)
0025 A64D          P2L     * = * + 1      §START ADDR ; (LO)
0026 A64E          P2H     * = * + 1      § (HI)
0027 A64F          P1L     * = * + 1      § ID
0028 A64F          § CONSTANTS
0029 A64F          §
0030 A64F          EOT     = $04
0031 A64F          SYN     = $16
0032 A64F          TM1500 = 71          §DELAY CONSTANT FOR OUTBTH
0033 A64F          C1500  = $1F          §CLOCK LO LATCH FOR 1500 BAUD
0034 A64F          CKIM   = $AE          §CLOCK LO LATCH FOR KIM
0035 A64F          TPBIT  = %1000      §BIT 3 IS ENABLE/DISABLE TO DECODI
0036 A64F          §
0037 A64F          §EQUATES
0038 A64F          §
0039 A64F          P2SCR  = $829C        §MOVE P2 TO $FF, $FE IN PAGE ZERO
0040 A64F          ZERCK  = $832E        §ZERO OUT CHECK SUM
0041 A64F          CONFIG = $89A5
0042 A64F          §
0043 A64F          ID     = P1L
0044 A64F          SAH   = P2H
0045 A64F          SAL   = P2L
0046 A64F          EAH   = P3H
0047 A64F          EAL   = P3L
0048 A64F          §
0049 A64F          FRAME = $FF          §ERROR MSG # FOR FRAMING ERROR
0050 A64F          CHECK  = $CC          §ERROR # FOR CHECKSUM ERROR
0051 A64F          LSTCHR = $2F          §LAST CHAR NOT '/'
0052 A64F          NONHEX = $FF        §NON HEX CHAR IN KIM REC
0053 A64F          §
0054 A64F          § I/O - TAPE ON/OFF IS CB2 ON VIA 1 (A000)
0055 A64F          §          TAPE IN IS PB6 ON VIA 1 (A000)
0056 A64F          §          TAPE OUT IS CODE 7 TO DISPLAY DECODER, THRU 6532:
          §          PRO-PB3 (A400)

```

LINE #	LOC	CODE	LINE
0057	A64F		;
0058	A64F		VIAACR = \$A00B
0059	A64F		VIAPCR = \$A00C ;CONTROL CB2 TAPE ON/OFF, FOR
0060	A64F		TFOUT = \$A402
0061	A64F		TAFOUT = TFOUT
0062	A64F		DDR0UT = \$A403
0063	A64F		TAPIN = \$A000
0064	A64F		DDRIN = \$A002
0065	A64F		CLOKHI = \$A005
0066	A64F		CLOKLO = \$A004
0067	A64F		LATCHL = \$A004
0068	A64F		DDRDI6 = \$A401
0069	A64F		DIG = \$A400
0070	A64F		; LOADT ENTER W/ ADDR IN PARM 2, MODE IN ACC
0071	A64F		;
0072	A64F		*=\$8C78
0073	8C78	20 B6 8D	LOADT JSR START ;INITIALIZE
0074	8C7B	AD 02 A0	LDA DDRIN
0075	8C7E	29 BF	AND #\$BF ;BIT 6 = 0, INPUT IS PB6
0076	8C80	8D 02 A0	STA DDRIN
0077	8C83	A9 00	LDA #0
0078	8C85	8D 0B A0	STA VIAACR
0079	8C88	A9 AE	LDA #CKIM ; SET UP CLOCK FOR GETTR (KIM)
0080	8C8A	24 FD	BIT MODE
0081	8C8C	10 02	BPL LOADT1 ;KIM - GO AHEAD
0082	8C8E	A9 1F	LDA #C1500 ;HS - CHANGE GETTR VALUE
0083	8C90	8D 04 A0	LOADT1 STA LATCHL ;STORE GETTR VAL IN LO LATCH
0084	8C93	20 82 8D	LOADT2 JSR SYNC ;GET IN SYNC
0085	8C96	20 DE 8D	LOADT4 JSR RDCHTX
0086	8C99	C9 2A	CMP #'* ;START OF DATA?
0087	8C9B	F0 06	BEQ LOAD11
0088	8C9D	C9 16	CMP #SYN ;NO - SYN?
0089	8C9F	D0 F2	BNE LOADT2 ;IF NOT, RESTART SYNC SEARCH
0090	8CA1	F0 F3	BEQ LOADT4 ;IF YES, KEEP LOOKING FOR *
0091	8CA3		;
0092	8CA3	A5 FD	LOAD11 LDA MODE
0093	8CA5	29 BF	AND #\$BF ;CLEAR 'NOT IN SYNC' BIT
0094	8CA7	85 FD	STA MODE
0095	8CA9	20 28 8E	JSR RDBYTX ;READ ID BYTE ON TAPE
0096	8CAC	CD 4E A6	CMP ID ;COMPARE WITH REQUESTED ID
0097	8CAF	F0 35	BEQ LOADT5 ;LOAD IF EQUAL
0098	8CB1	AD 4E A6	LDA ID ;COMPARE WITH 0
0099	8CB4	C9 00	CMP #0
0100	8CB6	F0 2E	BEQ LOADT5 ;IF 0, LOAD ANYWAY
0101	8CB8	C9 FF	CMP #\$FF ;COMPARE WITH FF
0102	8CBA	F0 07	BEQ LOADT6 ;IF FF, USE REQUEST SA TO LOAD
0103	8CBC		;
0104	8CBC	24 FD	BIT MODE ;UNWANTED RECORD. KIM OR HS?
0105	8CBE	30 22	BMI HWRONG
0106	8CC0	4C 93 8C	JMP LOADT2 ;IF KIM, RESTART SEARCH
0107	8CC3		;
0108	8CC3		; SA (&EA IF USED) COME FROM REQUEST. DISCARD TAPE VALUE
0109	8CC3		; (BUFAD ALREADY SET TO SA BY 'START')
0110	8CC3		;
0111	8CC3	20 28 8E	LOADT6 JSR RDBYTX ;GET SAL FROM TAPE

LINE #	LOC	CODE	LINE	
0112	8CC6	20 78 8E	JSR CHKT	%INCLUDE IN CHECKSUM BUT IGNORE
0113	8CC9			%
0114	8CC9	20 28 8E	JSR RDBYTX	%GET SAH FROM TAPE
0115	8CCC	20 78 8E	JSR CHKT	%INCLUDE IN CHECKSUM
0116	8CCF			%
0117	8CCF	24 FD	BIT MODE	%HS OR KIM?
0118	8CD1	10 63	BPL LOADT7	%IF KIM, START READING DATA
0119	8CD3	20 E2 8D	JSR RDBYTH	%HS, GET EAH, EAL FROM ...
0120	8CD6	20 78 8E	JSR CHKT	% ... TAPE, INCLUDE IN CHECKSUM
0121	8CD9	20 E2 8D	JSR RDBYTH	% ... BUT IGNORE
0122	8CDC	20 78 8E	JSR CHKT	
0123	8CDF	4C 0C 8D	JMP LT7H	%START READING HS DATA
0124	8CE2			%
0125	8CE2			% SA (& EA IF USED) COME FROM TAPE, SA REPLACES BUFAD
0126	8CE2			%
0127	8CE2	A9 C0	HWRONG LDA #C0	%READ THRU TO GET TO NEXT REC
0128	8CE4	85 FD	STA MODE	%BUT DON'T CHECK CKSUM, NO FRAME I
0129	8CE6			%
0130	8CE6	20 28 8E	LOADT5 JSR RDBYTX	%GET SAL FROM TAPE
0131	8CE9	20 78 8E	JSR CHKT	
0132	8CEC	85 FE	STA BUFADL	%PUT IN BUF START L
0133	8CEE	20 28 8E	JSR RDBYTX	%SAME FOR SAH
0134	8CF1	20 78 8E	JSR CHKT	
0135	8CF4	85 FF	STA BUFADH	
0136	8CF6			%(SAL - H STILL HAVE REQUEST VALUE)
0137	8CF6	24 FD	BIT MODE	%HS OR KIM?
0138	8CF8	10 3C	BPL LOADT7	%IF KIM, START READING RECORD
0139	8CFA	20 E2 8D	JSR RDBYTH	%HS, GET & SAVE EAL,EAH
0140	8CFD	20 78 8E	JSR CHKT	
0141	8D00	9D 4A A6	STA EAL	
0142	8D03	20 E2 8D	JSR RDBYTH	
0143	8D06	20 78 8E	JSR CHKT	
0144	8D09	8D 4B A6	STA EAH	
0145	8D0C			%
0146	8D0C			% READ HS DATA
0147	8D0C			%
0148	8D0C	20 E2 8D	LT7H JSR RDBYTH	%GET NEXT BYTE
0149	8D0F	A6 FE	LDX BUFADL	%CHECK FOR END OF DATA + 1
0150	8D11	EC 4A A6	CPX EAL	
0151	8D14	D0 07	BNE LT7HA	
0152	8D16	A6 FF	LDX BUFADH	
0153	8D18	EC 4B A6	CPX EAH	
0154	8D1B	F0 13	BEQ LT7HB	
0155	8D1D	20 78 8E	LT7HA JSR CHKT	%NOT END, UPDATE CHECKSUM
0156	8D20	24 FD	BIT MODE	%WRONG RECORD?
0157	8D22	70 04	BVS LT7HC	%IF SO, DONT STORE BYTE
0158	8D24	A0 00	LDY #0	%STORE BYTE
0159	8D26	91 FE	STA (BUFADL),Y	
0160	8D28	E6 FE	LT7HC INC BUFADL	%BUMP BUFFER ADDR
0161	8D2A	D0 E0	BNE LT7H	
0162	8D2C	E6 FF	INC BUFADH	%CARRY
0163	8D2E	D0 DC	BNE LT7H	%ALWAYS
0164	8D30			%
0165	8D30	C9 2F	LT7HB CMP #/'	%EA, MUST BE "/"
0166	8D32	D0 31	BNE LCERR	%LAST CHAR NOT '/'

LINE #	LOC	CODE	LINE	
0167	8D34	F0 19	BEQ LOADT8	‡(ALWAYS BRANCH)
0168	8D36		‡	
0169	8D36		‡ READ KIM DATA	
0170	8D36		‡	
0171	8D36	20 2C 8E	LOADT7 JSR RDBYT	
0172	8D39	B0 2E	BCS NHERR	‡NONHEX CHART
0173	8D3B	C9 2F	CMF #'/	‡LAST ?
0174	8D3D	F0 10	BEQ LOADT8	
0175	8D3F	20 78 8E	JSR CHKT	‡UPDATE CHECKSUM (PACKED BYTE)
0176	8D42	A0 00	LDY #0	‡STORE BYTE
0177	8D44	91 FE	STA (BUFADL),Y	
0178	8D46	E6 FE	INC BUFADL	‡BUMP BUFFER ADR
0179	8D48	D0 EC	BNE LOADT7	‡CARRY?
0180	8D4A	E6 FF	INC BUFADH	
0181	8D4C	4C 36 8D	JMP LOADT7	
0182	8D4F		‡	
0183	8D4F		‡ TEST CHECKSUM & FINISH	
0184	8D4F		‡	
0185	8D4F		LOADT8 =*	
0186	8D4F	20 28 8E	LT8A JSR RDBYTX	‡CHECK SUM
0187	8D52	CD 36 A6	CMF CHKL	
0188	8D55	D0 16	BNE CKERR	
0189	8D57	20 28 8E	JSR RDBYTX	
0190	8D5A	CD 37 A6	CMF CHKH	
0191	8D5D	D0 0E	BNE CKERR	‡CHECK SUM ERROR
0192	8D5F	F0 11	BEQ OKEXIT	‡(ALWAYS)
0193	8D61		‡	
0194	8D61	A9 FF	FRERR LDA #FRAME	‡FRAMING ERROR
0195	8D63	D0 0A	BNE NGEXIT	‡(ALWAYS)
0196	8D65	A9 2F	LCERR LDA #LSTCHR	‡LAST CHAR IS NOT '/'
0197	8D67	D0 06	BNE NGEXIT	‡(ALWAYS)
0198	8D69		‡	
0199	8D69	A9 FF	NHERR LDA #NONHEX	‡KIM ONLY, NON HEX CHAR READ
0200	8D6B	D0 02	BNE NGEXIT	‡(ALWAYS)
0201	8D6D		‡	
0202	8D6D	A9 CC	CKERR LDA #CHECK	‡CHECKSUM ERROR
0203	8D6F		‡	
0204	8D6F	38	NGEXIT SEC	‡ERROR INDICATOR TO MONITOR IS CAI
0205	8D70	B0 01	BCS EXIT	‡(ALWAYS)
0206	8D72		‡	
0207	8D72	18	OKEXIT CLC	‡NO ERROR
0208	8D73		‡	
0209	8D73	24 FD	EXIT BIT MODE	
0210	8D75	50 05	BVC EX10	‡READING WRONG REC?
0211	8D77	A0 80	LDY #80	
0212	8D79	4C 78 8C	JMP LOADT	‡RESTART SEARCH
0213	8D7C	A2 CC	EX10 LDX #CC	
0214	8D7E	8E 0C A0	STX VIAPCR	‡STOP TAPE
0215	8D81	60	RTS	
0216	8D82	A9 6D	SYNC LDA ##6D	
0217	8D84	8D 00 A4	STA DIG	‡TURN ON OUT OF SYNC INDICATOR
0218	8D87	A5 FD	LDA MODE	‡TURN ON OUT OF SYNC MODE
0219	8D89	09 40	ORA ##40	‡BIT6
0220	8D8B	85 FD	STA MODE	
0221	8D8D	20 A8 8D	SYNC5 JSR SYNBIT	‡ SYNC TO TAPE

LINE #	LOC	CODE	LINE
0222	8D90	66 FC	ROR CHAR
0223	8D92	A5 FC	LDA CHAR
0224	8D94	C9 16	CMP #SYN
0225	8D96	D0 F5	BNE SYNC5
0226	8D98	A2 0A	SYNC10 LDX #10 ;NOW MAKE SURE CAN GET 10 SYNS
0227	8D9A	20 DE 8D	JSR RDCHTX
0228	8D9D	C9 16	CMP #SYN
0229	8D9F	D0 EC	BNE SYNC5
0230	8DA1	CA	DEX
0231	8DA2	D0 F6	BNE SYNC10+2
0232	8DA4	8E 00 A4	STX DIG ;TURN OFF DISPLAY
0233	8DA7	60	RTS
0234	8DAB		;\$SYNBIT - GET BIT IN SYN SEARCH. IF HS, ENTER WITH
0235	8DAB		;\$ TIMER STARTED BY PREV BIT. BIT RETURNED IN CARRY.
0236	8DAB		;
0237	8DAB	24 FD	SYNBIT BIT MODE ;KIM OR HS?
0238	8DAA	10 63	BPL RDBITK ;KIM
0239	8DAC	20 C9 8D	SYB10 JSR GETTR ;HS
0240	8DAF	B0 01	BCS SYBONE ;IF SHORT, GET NEXT TRANS
0241	8DB1	60	RTS ;BIT IS ZERO
0242	8DB2	20 C9 8D	SYBONE JSR GETTR
0243	8DB5	60	RTS
0244	8DB6		;
0245	8DB6	84 FD	START STY MODE ;MODE PARM PASSED IN ACC
0246	8DB8	A9 09	LDA #9
0247	8DBA	20 A5 89	JSR CONFIG ;PARTIAL I/O CONFIGURATION
0248	8DBD	20 2E 83	JSR ZERCK ;ZERO THE CHECK SUM
0249	8DC0	20 9C 82	JSR P2SCR ;MOVE SA TO FE,FF IN PAGE ZERO
0250	8DC3	A9 EC	LDA #9EC
0251	8DC5	8D 0C A0	STA VIAPCR ;TAPE ON
0252	8DC8	60	RTS
0253	8DC9		;
0254	8DC9		;\$ GETTR - GET TRANSITION TIME FROM 16 BIT CLOCK
0255	8DC9		;\$ DESTROYS A,Y
0256	8DC9		;\$ LO LATCH OF CLOCK MUST BE PRELOADED ACCORDING TO MODE
0257	8DC9		;\$ SO THAT LSB OF HI BYTE OF CTR =BIT (HS)
0258	8DC9		;\$ OR LSB OF HI BYTE IS 1/0 HF/LF (KIM)
0259	8DC9		;\$ LSB OF HI CLOCK BYTE RETURNED IN CARRY
0260	8DC9		;
0261	8DC9	A0 FF	GETTR LDY #\$FF
0262	8DCB	AD 00 A0	LDA TAPIN
0263	8DCE	29 40	AND #\$40
0264	8DD0	C5 F9	CMP OLD
0265	8DD2	F0 F7	BEQ GETTR+2
0266	8DD4	85 F9	STA OLD
0267	8DD6	AD 05 A0	LDA CLOKHI
0268	8DD9	8C 05 A0	STY CLOKHI ;RESTART CLOCK
0269	8DDC	4A	LSR A ;GET LSB INTO CARRY
0270	8DDD	60	RTS
0271	8DDE		;
0272	8DDE	24 FD	RDCHTX BIT MODE
0273	8DE0	10 7F	BPL RDCHT ;KIM
0274	8DE2		;
0275	8DE2		;\$ RDBYTH - READ HS BYTE
0276	8DE2		;\$ Y DESTROYED, BYTE RETURNED IN CHAR AND A

LINE #	LOC	CODE	LINE	
0277	8DE2			‡ TIME FROM ONE CALL TO NEXT MUST BE LESS THAN
0278	8DE2			‡ START BIT TIME (TIMER STILL RUNNING)
0279	8DE2			‡
0280	8DE2	8E 38 A6	RDBYTH	STX TEMP1 ‡SAVE X
0281	8DE5	A2 08		LDX #8
0282	8DE7	20 C9 8D		JSR GETTR ‡GET START BIT TIME
0283	8DEA	2A		ROL A ‡RESTORE CLOCK HI BYTE
0284	8DEB	C9 FD		CMF #*FD ‡START BIT MAY BE LONGER THAN FC
0285	8DED	B0 15		BCS RDBH90 ‡IF NOT ZERO , FRAMING ERR
0286	8DEF	20 C9 8D	RDBH10	JSR GETTR ‡GET BIT IN CARRY
0287	8DF2	90 05		BCC RDASSY
0288	8DF4	20 C9 8D		JSR GETTR ‡BIT IS ONE, WAIT HALF CYC
0289	8DF7	90 0B		BCC RDBH90 ‡IF PHASE WRONG, FRAMING ERR
0290	8DF9	66 FC	RDASSY	ROR CHAR
0291	8DFB	CA		DEX
0292	8DFC	D0 F1		BNE RDBH10
0293	8DFE	A5 FC		LDA CHAR ‡GET IN ACC
0294	8E00	AE 38 A6		LDX TEMP1 ‡RESTORE X
0295	8E03	60		RTS
0296	8E04	24 FD	RDBH90	BIT MODE ‡NO ERR IF NOT IN SYNC
0297	8E06	70 F8		BVS RDBH90-4 ‡OR READING WRONG REC
0298	8E08	68		PLA ‡FIX STACK
0299	8E09	68		PLA
0300	8E0A	A9 FF		LDA #FRAME ‡GET ERROR INDICATOR IN ACC
0301	8E0C	4C 6F 8D		JMP NGEXIT
0302	8E0F			‡
0303	8E0F			‡ RDBITK - READ KIM BIT - X,Y,A DESTROYED, BIT RETURNED
0304	8E0F			‡ (INVERTED)
0305	8E0F			‡
0306	8E0F	A2 02	RDBITK	LDX #2
0307	8E11	20 C9 8D		JSR GETTR ‡RESYNC
0308	8E14	20 C9 8D	WAITLO	JSR GETTR
0309	8E17	90 FB		BCC WAITLO ‡WAIT FOR HF
0310	8E19	CA		DEX
0311	8E1A	D0 F8		BNE WAITLO ‡GET 2 HALF CYCS TO BE SURE
0312	8E1C			‡
0313	8E1C	E8	HFCNT	INX ‡COUNT HF CYCS WITH X
0314	8E1D	20 C9 8D		JSR GETTR
0315	8E20	B0 FA		BCS HFCNT
0316	8E22	E0 1B		CPX #27 ‡ONE=1B CYCS, ZERO =36 CYCS
0317	8E24	B0 37		BCS RDRTN-1 ‡INVERT CARRY
0318	8E26	90 37		BCC PACT3
0319	8E28			‡
0320	8E28	24 FD	RDBYTX	BIT MODE
0321	8E2A	30 B6		BMI RDBYTH ‡HS
0322	8E2C			‡READ KIM BYTE, RETURN IN CHAR AND A
0323	8E2C			‡
0324	8E2C	20 61 8E	RDBYT	JSR RDCHT
0325	8E2F	C9 2F		CMF #// ‡READ ONE CHAR IF LAST
0326	8E31	F0 2A		BEQ RDRTN-1 ‡CLEAR CARRY AND RETURN
0327	8E33	20 3E 8E		JSR PACT
0328	8E36	B0 26		BCS RDRTN ‡NON HEX CHAR?
0329	8E38	AA		TAX ‡SAVE MSD
0330	8E39	20 61 8E		JSR RDCHT
0331	8E3C	86 FC		STX CHAR ‡MOVE MSD TO CHAR

LINE #	LOC	CODE	LINE
0332	8E3E		‡ AND FALL INTO PACKT AGAIN
0333	8E3E		‡
0334	8E3E		‡PACKT - ASCII HEX TO 4 BITS
0335	8E3E		‡INPUT IN A, OUTPUT IN CHAR AND A, CARRY SET = NON HEX
0336	8E3E		‡
0337	8E3E	C9 30	PACKT CMP ##30 ‡LT "0"?
0338	8E40	90 1D	BCC PACKT3
0339	8E42	C9 47	CMP ##47 ‡GT "F" ?
0340	8E44	B0 19	BCS PACKT3
0341	8E46	C9 40	CMP ##40 ‡A-F?
0342	8E48	F0 15	BEQ PACKT3 ‡40 NOT VALID
0343	8E4A	90 03	BCC PACKT1
0344	8E4C	18	CLC
0345	8E4D	69 09	ADC #9
0346	8E4F	2A	PACKT1 ROL A ‡GET LSD INTO LEFT NIBBLE
0347	8E50	2A	ROL A
0348	8E51	2A	ROL A
0349	8E52	2A	ROL A
0350	8E53	A0 04	LDY #4
0351	8E55	2A	PACKT2 ROL A ‡ROTATE 1 BIT AT A TIME INTO CHAR
0352	8E56	26 FC	ROL CHAR
0353	8E58	88	DEY
0354	8E59	D0 FA	BNE PACKT2
0355	8E5B	A5 FC	LDA CHAR ‡GET INTO ACCUM ALSO
0356	8E5D	18	CLC ‡OK
0357	8E5E	60	RDRTN RTS
0358	8E5F	38	PACKT3 SEC ‡NOT HEX
0359	8E60	60	RTS
0360	8E61		‡
0361	8E61		‡ RDCHT - READ KIM CHAR
0362	8E61		‡ PRESERVES X, RETURNS CHAR IN CHAR (W/PARITY)
0363	8E61		‡ AND A (W/O PARITY)
0364	8E61		‡
0365	8E61	8E 38 A6	RDCHT STX TEMP1 ‡SAVE X
0366	8E64	A9 FF	LDA ##FF ‡USE A TO COUNT BITS (BY SHIFTING
0367	8E66	48	KBITS PHA ‡SAVE COUNTER
0368	8E67	20 0F 8E	JSR RDBITK
0369	8E6A	66 FC	ROR CHAR
0370	8E6C	68	PLA
0371	8E6D	0A	ASL A
0372	8E6E	D0 F6	BNE KBITS ‡DO 8 BITS
0373	8E70	A5 FC	LDA CHAR
0374	8E72	2A	ROL A
0375	8E73	4A	LSR A ‡DROP PARITY
0376	8E74	AE 38 A6	LDX TEMP1 ‡RESTORE X
0377	8E77	60	RTS
0378	8E78		‡
0379	8E78		‡ CHKT - UPDATE CHECK SUM FROM BYTE IN A
0380	8E78		‡ DESTROYS Y
0381	8E78		‡
0382	8E78	A8	CHKT TAY ‡SAVE ACCUM
0383	8E79	18	CLC
0384	8E7A	6D 36 A6	ADC CHKL
0385	8E7D	8D 36 A6	STA CHKL
0386	8E80	90 03	BCC CHKT10

LINE #	LOC	CODE	LINE	
0387	8E82	EE 37 A6	INC CHKH	‡BUMP HI BYTE
0388	8E85	98	CHKT10 TYA	‡RESTORE A
0389	8E86	60	RTS	
0390	8E87	20 B6 8D	DUMPT JSR START	‡INIT VIA & CKSUM, SA TO BUFAD & S
0391	8E8A	A9 07	LDA #7	‡CODE FOR TAPE OUT
0392	8E8C	8D 02 A4	STA TAPOUT	‡BIT 3 USED FOR HI/LO
0393	8E8F	A0 80	LDY ##80	
0394	8E91	24 FD	BIT MODE	
0395	8E93	10 13	BFL DUMPT1	‡KIM - DO 128 SYNS
0396	8E95		‡HS - WRITE 8 SEC STEADY MARK	
0397	8E95	EE 02 A4	INC TAPOUT	‡DISABLE OUTPUT
0398	8E98	A2 08	LDX ##8	‡8 TIMES ...
0399	8E9A	A0 15	MARK8A LDY #21	‡... 1SEC
0400	8E9C	20 5D 8F	MARK8B JSR OUTCHT	‡BENIGN PAUSE
0401	8E9F	88	DEY	
0402	8EA0	D0 FA	BNE MARK8B	
0403	8EA2	CA	DEX	
0404	8EA3	D0 F5	BNE MARK8A	
0405	8EA5	CE 02 A4	DEC TAPOUT	‡RESTORE OUTPUT
0406	8EA8		‡ AND DO 256 SYNS	
0407	8EAB	A9 16	DUMPT1 LDA #SYN	
0408	8EAA	20 13 8F	JSR OUTCTX	‡WRITE SYN
0409	8EAD	88	DEY	
0410	8EAE	D0 F8	BNE DUMPT1	
0411	8EB0		‡	
0412	8EB0	A9 2A	LDA #'*	‡WRITE START
0413	8EB2	20 13 8F	JSR OUTCTX	
0414	8EB5		‡	
0415	8EB5	AD 4E A6	LDA ID	‡WRITE ID
0416	8EB8	20 46 8F	JSR OUTBTX	
0417	8EBB		‡	
0418	8EBB	AD 4C A6	LDA SAL	‡WRITE SA
0419	8EBE	20 43 8F	JSR OUTBCX	
0420	8EC1	AD 4D A6	LDA SAH	
0421	8EC4	20 43 8F	JSR OUTBCX	
0422	8EC7		‡	
0423	8EC7		‡	
0424	8EC7	24 FD	BIT MODE	‡KIM OR HS?
0425	8EC9	10 0C	BFL DUMPT2	
0426	8ECB		‡	
0427	8ECB	AD 4A A6	LDA EAL	‡HS. WRITE EA
0428	8ECE	20 43 8F	JSR OUTBCX	
0429	8ED1	AD 4B A6	LDA EAH	
0430	8ED4	20 43 8F	JSR OUTBCX	
0431	8ED7		‡	
0432	8ED7	A5 FE	DUMPT2 LDA BUFADL	‡CHECK FOR LAST BYTE
0433	8ED9	CD 4A A6	CMF EAL	
0434	8EDC	D0 25	BNE DUMPT4	
0435	8EDE	A5 FF	LDA BUFADH	
0436	8EE0	CD 4B A6	CMF EAH	
0437	8EE3	D0 1E	BNE DUMPT4	
0438	8EE5		‡	
0439	8EE5	A9 2F	LDA #'/'	‡LAST. WRITE '/'
0440	8EE7	20 13 8F	JSR OUTCTX	
0441	8EEA	AD 36 A6	LDA CHKL	‡WRITE CHECK SUM

LINE #	LOC	CODE	LINE
0442	8EED	20 46 8F	JSR OUTBTX
0443	8EF0	AD 37 A6	LDA CHKH
0444	8EF3	20 46 8F	JSR OUTBTX
0445	8EF6		;
0446	8EF6	A9 04	LDA #EOT ;WRITE TWO EOT'S
0447	8EF8	20 46 8F	JSR OUTBTX
0448	8EFB	A9 04	LDA #EOT
0449	8EFD	20 46 8F	JSR OUTBTX
0450	8F00		;
0451	8F00		DT3E = * (SET "OK" MARK)
0452	8F00	4C 72 8D	JMP OKEXIT
0453	8F03		;
0454	8F03	A0 00	DUMPT4 LDY #0 ;GET BYTE
0455	8F05	B1 FE	LDA (BUFADL),Y
0456	8F07	20 43 8F	JSR OUTBCX ;WRITE IT W/CHK SUM
0457	8F0A	E6 FE	INC BUFADL ;BUMP BUFFER ADDR
0458	8F0C	D0 C9	BNE DUMPT2
0459	8F0E	E6 FF	INC BUFADH ;CARRY
0460	8F10	4C D7 8E	JMP DUMPT2
0461	8F13	24 FD	OUTCTX BIT MODE ;HS OR KIM?
0462	8F15	10 46	BFL OUTCHT ;KIM
0463	8F17		;
0464	8F17		; OUTBTH - NO CLOCK
0465	8F17		; A,X DESTROYED
0466	8F17		; MUST RESIDE ON ONE PAGE - TIMING CRITICAL
0467	8F17	A2 09	OUTBTH LDX #9 ;8 BITS + START BIT
0468	8F19	8C 39 A6	STY TEMP2
0469	8F1C	85 FC	STA CHAR
0470	8F1E	AD 02 A4	LDA TAPOUT ;GET PREV LEVEL
0471	8F21	46 FC	GETBIT LSR CHAR
0472	8F23	49 08	EOR #TPBIT
0473	8F25	8D 02 A4	STA TAPOUT ;INVERT LEVEL
0474	8F28		; *** HERE STARTS FIRST 416 USEC PERIOD
0475	8F28	A0 47	LDY #TM1500
0476	8F2A	88	A416 DEY ;TIME FOR THIS LOOP IS 5Y-1
0477	8F2B	D0 FD	BNE A416
0478	8F2D	90 11	BCC NOFLIP ;NOFLIP IF BIT ZERO
0479	8F2F	49 08	EOR #TPBIT ;BIT IS ONE - INVERT OUTPUT
0480	8F31	8D 02 A4	STA TAPOUT
0481	8F34		; *** END OF FIRST 416 USEC PERIOD
0482	8F34	A0 46	B416 LDY #TM1500-1
0483	8F36	88	B416B DEY ;LENGTH OF LOOP IS 5Y-1
0484	8F37	D0 FD	BNE B416B
0485	8F39	CA	DEX
0486	8F3A	D0 E5	BNE GETBIT ;GET NEXT BIT (LAST IS 0 START BI
0487	8F3C	AC 39 A6	LDY TEMP2 ; (BY 9 BIT LSR)
0488	8F3F	60	RTS
0489	8F40	EA	NOFLIP NOP ;TIMING
0490	8F41	90 F1	BCC B416 ;(ALWAYS)
0491	8F43		;
0492	8F43	20 78 8E	OUTBCX JSR CHKT
0493	8F46	24 FD	OUTBTX BIT MODE
0494	8F48	30 CD	BMI OUTBTH ;HS
0495	8F4A		;
0496	8F4A		;OUTBTC - OUTPUT ONE KIM BYTE

LINE #	LOC	CODE	LINE
0497	8F4A		;
0498	8F4A		OUTBTC =*
0499	8F4A	A8	OUTBT TAY ;SAVE DATA BYTE
0500	8F4B	4A	LSR A
0501	8F4C	4A	LSR A
0502	8F4D	4A	LSR A
0503	8F4E	4A	LSR A
0504	8F4F	20 52 8F	JSR HEXOUT ;MORE SIG DIGIT
0505	8F52		; FALL INTO HEXOUT
0506	8F52		;
0507	8F52		;CONVERT LSD OF A TO ASCII
0508	8F52		;
0509	8F52	29 0F	HEXOUT AND #0F
0510	8F54	C9 0A	CMP #0A
0511	8F56	18	CLC
0512	8F57	30 02	BMI HEX1
0513	8F59	69 07	ADC #07
0514	8F5B	69 30	HEX1 ADC #30
0515	8F5D		;
0516	8F5D		; OUTCHT - OUTPUT ASCII CHAR (KIM)
0517	8F5D		; CLOCK NOT USED
0518	8F5D		; X,Y PRESERVED
0519	8F5D		; MUST RESIDE ON ONE PAGE - TIMING CRITICAL
0520	8F5D		;
0521	8F5D	8E 38 A6	OUTCHT STX TEMP1 ;PRESERVE X
0522	8F60	8C 39 A6	STY TEMP2 ;DITTO Y
0523	8F63	85 FC	STA CHAR
0524	8F65	A9 FF	LDA #FFF ;USE FF W/SHIFTS TO COUNT BITS
0525	8F67	48	KIMBIT PHA ;SAVE BIT CTR
0526	8F68	AD 02 A4	LDA TPOUT ;GET CURRENT OUTPUT LEVEL
0527	8F6B	46 FC	LSR CHAR ;GET DATA BIT IN CARRY
0528	8F6D	A2 12	LDX #18 ;ASSUME 'ONE'
0529	8F6F	B0 02	BCS HF
0530	8F71	A2 24	LDX #36 ;BIT IS ZERO
0531	8F73	A0 19	HF LDY #25
0532	8F75	49 08	EOR #TPBIT ;INVERT OUTPUT
0533	8F77	8D 02 A4	STA TPOUT
0534	8F7A	88	HFP1 DEY ;PAUSE FOR 138 USEC
0535	8F7B	D0 FD	BNE HFP1
0536	8F7D	CA	DEX ;COUNT HALF CYCS OF HF
0537	8F7E	D0 F3	BNE HF
0538	8F80	A2 18	LF LDX #24 ;ASSUME BIT IS ONE
0539	8F82	B0 02	BCS LF20
0540	8F84	A2 0C	LDX #12 ;BIT IS ZERO
0541	8F86	A0 27	LF20 LDY #39
0542	8F88	49 08	EOR #TPBIT ;INVERT OUTPUT
0543	8F8A	8D 02 A4	STA TPOUT
0544	8F8D	88	LFP1 DEY ;PAUSE FOR 208 USEC
0545	8F8E	D0 FD	BNE LFP1
0546	8F90	CA	DEX ;COUNT HALF CYCS
0547	8F91	D0 F3	BNE LF20
0548	8F93	68	PLA ;RESTORE BIT CTR
0549	8F94	0A	ASL A ;DECREMENT IT
0550	8F95	D0 D0	BNE KIMBIT ;FF SHIFTED 8X = 00
0551	8F97	AE 38 A6	LDX TEMP1

.....PAGE 0011

LINE #	LOC	CODE	LINE
0552	8F9A	AC 39 A6	LDY TEMP2
0553	8F9D	98	TYA
0554	8F9E	60	RTS
0555	8F9F		
0556	8F9F		.END

ERRORS = 0000 <0000>



Synertek Systems Corporation

P.O. BOX 552 SANTA CLARA, CALIFORNIA 95052 TEL. (408) 988-5600 TWX: 910-338-0135